

# M116K

## 11.6" Intel® Core™ i5-7200U Slim Rugged Tablet



### KEY FEATURES

- Intel® Core™ i5-7200U Kaby Lake 2.5GHz (Turbo up to 3.1GHz) Slim Rugged Tablet
- Optional Intel® Core™ i5-7300U Kaby Lake 2.60GHz (Turbo up to 3.5GHz)
- 11.6" 1920 x 1080 LED panel with direct optical bonding, tablet industrial windows
- IP65 water and dust proof with MIL-STD-810G rugged housing
- Optional Integrated 1D/2D Barcode Reader and HF RFID for data collection
- Removable battery with hot-swap function for all day productivity



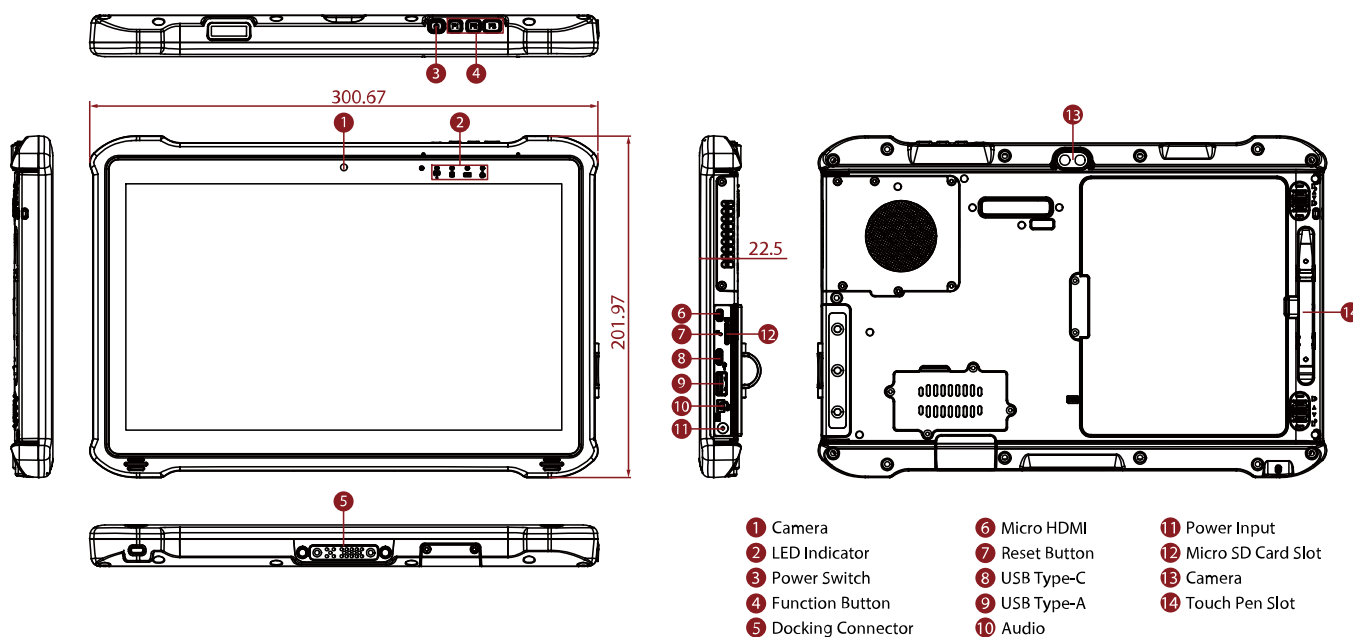
### SPECIFICATIONS

| Display                 |  |                            |   |
|-------------------------|--|----------------------------|---|
| <b>Bonding</b>          | Optical Bonding for Sunlight Viewability   | <b>Resolution</b>          | 1920x1080   |
| <b>Size</b>             | 11.6 inches  | <b>Contrast Ratio</b>      | 1000:1  |
| <b>Panel Brightness</b> | 850 nits   | <b>View Angles</b>         | 85,85,85,85   |
| <b>Type</b>             | Projected Capacitive Multi Touch   | <b>Viewability</b>         | Anti-Glare touch treatment  |
| <b>Touch Mode</b>       | Support Hand/Rain, Stylus, Glove Mode  |                            |   |
| System Specification    |  |                            |   |
| <b>Processor</b>        | Intel Core i5-7200U 2.5GHz (up to 3.1GHz)<br>Intel Core i5-7300U 2.6GHz (up to 3.5GHz) (Optional)                      | <b>Memory</b>              | 4GB DDR4 SDRAM<br>8GB DDR4 SDRAM (Optional)<br>16GB DDR4 SDRAM (Optional) |
| <b>Storage</b>          | 128 GB SSD<br>Additional storage available with micro SDXC card slot<br>256 GB SSD (Optional)<br>512 GB SSD (Optional) | <b>Ethernet controller</b> | 1 x RJ45-10/100/1000 GigaLAN port (Optional)                              |
| <b>Security</b>         | Trusted Platform Module (TPM) 2.0<br>Kensington Lock   | <b>Operating System</b>    | Windows 10 IoT Enterprise (64 bit)  |
| <b>WLAN</b>             | Support  | <b>BT</b>                  | Support   |
| <b>WWAN</b>             | 4G LTE (Optional)  | <b>GNSS</b>                | GPS, GLONASS  |
| <b>RFID</b>             | HF RFID reader 13.56 MHz (Optional)  | <b>Sensors</b>             | Light sensor/ G-sensor / Gyro   |
| Camera                  |  |                            |   |
| <b>Front Camera</b>     | 2MP front camera   | <b>Rear Camera</b>         | 8MP rear camera with autofocus and LED light                              |
| Mechanical              |  |                            |   |
| <b>Dimension</b>        | 300.67 x 201.97 x 22.5 mm  | <b>Weight</b>              | 1.5 kg  |
| <b>Cooling System</b>   | Fan design   |                            |   |
| IO Ports                |  |                            |   |
| <b>USB Port</b>         | 1 x USB 3.0 (Type A), 1 x USB 3.0 (Type C)   | <b>SD Card Slot</b>        | 1 x Micro SDXC slot   |
| <b>SIM Card Slot</b>    | 1 x Micro SIM card slot  | <b>Video</b>               | 1 x Micro HDMI (Optional)   |
| <b>Audio</b>            | 1 x Audio combo 3.5mm audio combo jack<br>Dual Digital Mic With Noise Cancellation                                     | <b>LAN</b>                 | 1 x RJ45-10/100/1000 GigaLAN port (Optional)                              |
| <b>Indicator</b>        | 4x LED Indicator for Power, Battery, HDD, RF   | <b>Docking Connector</b>   | 1 x 19-pin docking connector  |

status

| Environment                |  |                               |   |
|----------------------------|--|-------------------------------|---|
| <b>Operating Humidity</b>  | 10% to 90% RH, non-condensing  | <b>Operating Temperature</b>  | -20°C to 60°C (AC mode), -10°C to 50°C (Battery mode)   |
| <b>Storage Temperature</b> | -30°C to 70°C  | <b>Shock</b>                  | MIL-STD-810G Method 516.6 Procedure I   |
| <b>Vibration</b>           | MIL-STD-810G Method 514.6 Procedure I  | <b>IP rating</b>              | IP65  |
| <b>Drop</b>                | MIL-STD-810G Method 516.6, 4 ft  |                               |   |
| Certification              |  |                               |   |
| <b>Certification</b>       | CE, FCC  |                               |   |
| Security Function          |  |                               |   |
| <b>SOTI MobiControl</b>    | SOTI MobiControl Compliance  | <b>Kensington Lock</b>        | Kensington Lock Support   |
| Control                    |  |                               |   |
| <b>Button</b>              | 1 x Power, 3 x function keys   |                               |   |
| Power                      |  |                               |   |
| <b>Battery</b>             | Hot-swappable 7.7V typ. 5900 mAh Li-Polymer Battery (2S1P)<br>Optional 7.4V typ. 10280 mAh Li-Polymer Battery (2S2P) | <b>Battery Operating Time</b> | Standard Battery: 8 hours   |
| <b>Power Rating</b>        | 19V DC   | <b>Adapter</b>                | 100-240V, 50-60Hz (19V DC)  |
| Accessory                  |  |                               |   |
| <b>Accessory</b>           | Adapter and Power Cord<br>Capacitive Stylus<br>Standard Battery  | <b>Optional Accessory</b>     | Desk Dock (Optional)<br>Vehicle Dock (Optional)<br>Vehicle Cradle (Optional)<br>Vehicle Charger (Optional)<br>Battery Charger (Optional)<br>High Capacity Battery (Optional)<br>Hand Strap (Optional)<br>VESA Mount Kit (Optional)<br>Shoulder Strap (Optional)<br>Carry Bag (Optional) |
| Barcode Scanner            |  |                               |   |
| <b>Barcode Scanner</b>     | 1D/2D barcode reader (Optional)  |                               |   |

## DIMENSIONS UNIT:MM



## NOTE

1. Total usable memory will be less dependent upon actual system configuration.
2. The USB Type-C connector follows USB 3.0 standard, which does not support Alternate Mode (ALT) or USB Power Delivery (USB-PD).
3. Add-on modules require the expansion port option to be usable.
4. TPM 2.0 is available upon request.
5. SOT1 is available upon request.
6. Measured at dimming LCD brightness. Varies depending on the usage conditions, or when an external device is attached.
7. Length measurements do not include protrusions. Weight varies with options and active pen.
8. The product shown in this datasheet is a standard model. For diagrams that contain customized or optional I/O, please contact the Winmate Sales Team for more information.
9. This is a simplified drawing and some components are not marked in detail.