

# M133WKU

## 13.3" Industrial Ruggedized Tablet with Intel® Core™ i5-8265U



### KEY FEATURES

- Intel® Core™ i5-8265U Whiskey Lake processor industrial tablet
- 13.3" 1920 x 1080 IPS wide viewing angle LED Panel
- Magnesium alloy housing with all-around elastomeric rubber
- Built-in kickstand usable as carrying handle(indefinitely adjustable)
- Cold swap Battery Pack
- IP65 waterproof and dustproof
- Optical bonding technology
- TPM 2.0

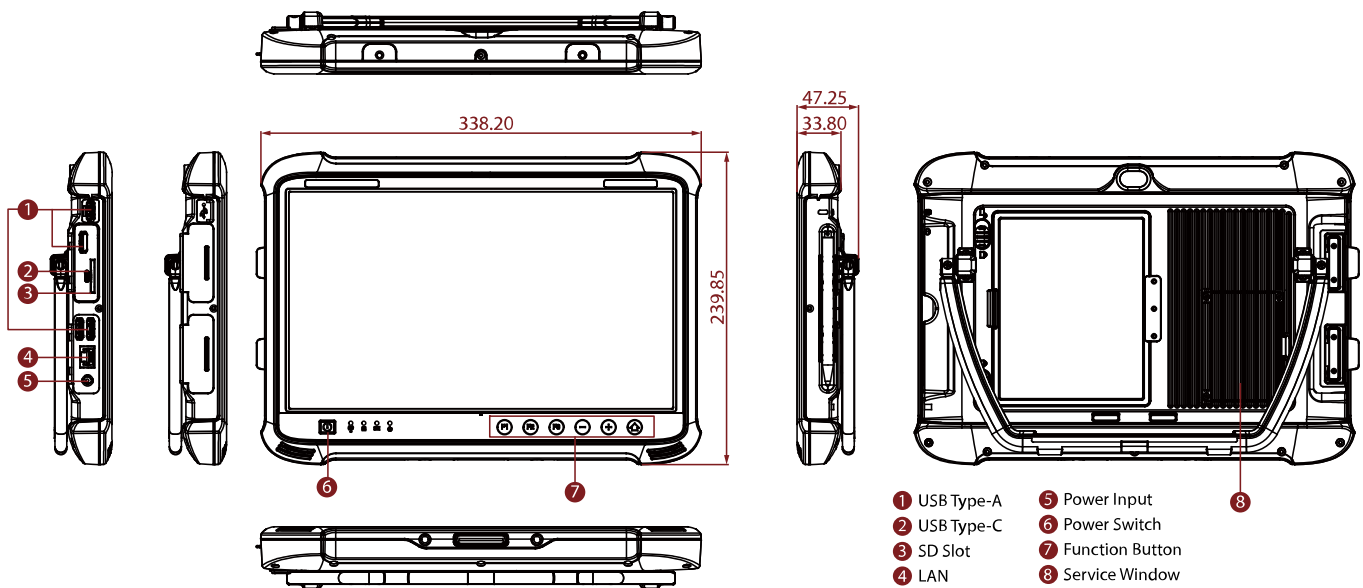


### SPECIFICATIONS

| Display                      |   |
|------------------------------|---|
| <b>Resolution</b>            | 1920x1080   |
| <b>Contrast Ratio</b>        | 1000:1  |
| <b>View Angles</b>           | 89,89,89,89   |
| <b>Bonding</b>               | Optical Bonding for Sunlight Viewability  |
| <b>Size</b>                  | 13.3 inches   |
| <b>Panel Brightness</b>      | 500 nits  |
| <b>Type</b>                  | Projected Capacitive Multi Touch  |
| System Specification         |   |
| <b>Processor</b>             | Intel Core i5-8265U 1.6GHz (up to 3.9GHz)   |
| <b>Memory</b>                | 4GB SODIMM DDR4-2400<br>8GB SODIMM DDR4-2400 (Optional)<br>16GB SODIMM DDR4-2400 (Optional)   |
| <b>Storage</b>               | Storage 1:<br>1 x 128GB M.2 SSD<br>Additional storage available with SDXC card slot<br>Storage 1 up to 1x 1TB M.2 SSD (Optional)<br>Storage 2 up to 1x 1TB M.2 SSD (Optional) |
| <b>Ethernet controller</b>   | 1 x RJ45-10/100/1000 Mbps LAN   |
| <b>Security</b>              | Trusted Platform Module (TPM) 2.0<br>Kensington Lock  |
| <b>Operating System</b>      | Ubuntu 18.04  |
| <b>WLAN</b>                  | Support   |
| <b>BT</b>                    | Support   |
| <b>WWAN</b>                  | 4G LTE (Optional)   |
| <b>GNSS</b>                  | GPS/GLONASS (Optional)  |
| Mechanical                   |   |
| <b>Dimension</b>             | 338.2 x 240 x 30 mm (13.3 x 9.4 x 1.18 inches)  |
| <b>Weight</b>                | 2.2kg (w/ kickstand)  |
| <b>Cooling System</b>        | Fanless thermal design  |
| IO Ports                     |   |
| <b>USB Port</b>              | 4 x USB 3.0 Type A, 1 x USB 3.0 Type C  |
| <b>SD Card Slot</b>          | 1 x SDXC Slot   |
| <b>SIM Card Slot</b>         | 1 x Micro SIM card slot   |
| <b>Audio</b>                 | 2 x 1 watt speaker  |
| <b>LAN</b>                   | 1 x RJ45-10/100/1000 Mbps LAN   |
| <b>Indicator</b>             | 4x LED Indicator for Power, Battery, SSD, RF status   |
| <b>Docking Connector</b>     | 1 x Docking connector   |
| Environment                  |   |
| <b>Operating Humidity</b>    | 30% to 80% RH, non-condensing   |
| <b>Operating Temperature</b> | -10°C to 50°C (14°F to 122°F)   |
| <b>Storage Temperature</b>   | -20°C to 60°C (-4°F to 140°F)   |
| <b>Shock</b>                 | MIL-STD-810G Method 516.6 Procedure I   |
| <b>Vibration</b>             | MIL-STD-810G Method 514.6 Procedure I   |
| <b>IP rating</b>             | IP65  |

|                          |  |                               |   |
|--------------------------|--|-------------------------------|---|
| <b>Drop</b>              | MIL-STD-810G Method 516.6, 4 ft  |                               |   |
| <b>Certification</b>     |  |                               |   |
| <b>Certification</b>     | CE, FCC  |                               |   |
| <b>Security Function</b> |  |                               |   |
| <b>Kensington Lock</b>   | Kensington Lock Support  |                               |   |
| <b>Control</b>           |  |                               |   |
| <b>Button</b>            | 1 x Power, 1 x menu, 2 x volume key<br>3 x Programmable Function Keys                |                               |   |
| <b>Power</b>             |  |                               |   |
| <b>Battery</b>           | 15.4V, typ. 5900 mAh Li-Polymer Battery (4S1P)                                       | <b>Battery Operating Time</b> | More than 10 hours (BAPCo TabletMark v3)  |
| <b>Power Rating</b>      | 19V DC   | <b>Adapter</b>                | 100-240V, 50-60Hz / 19V DC  |
| <b>Accessory</b>         |  |                               |   |
| <b>Accessory</b>         | Adapter and Power Cord<br>Standard Battery<br>Stylus<br>Stand with Integrated Handle | <b>Optional Accessory</b>     | Vehicle Charger (Optional)<br>Battery Charger (Optional)<br>Desk Docking (Optional) |

## DIMENSIONS UNIT:MM



## NOTE

- Total usable memory will be less dependent upon actual system configuration.
- TPM 2.0 is available upon request.
- Length measurements do not include protrusions. Weight varies with options.
- Measured at dimming LCD brightness. Varies depending on the usage conditions, or when an external device is attached.
- This is a simplified drawing and some components are not marked in detail.
- The product shown in this datasheet is a standard model. For diagrams that contain customized or optional I/O, please contact the Winmate Sales Team for more information.