

M700DM9

7-inch ARM A73 + A53 Rugged Android Tablet



KEY FEATURES

- 7 inch android tablet, 1280 x 720 TFT Panel with direct optical bonding
- IP65 waterproof and dustproof
- 4 GB RAM + 64 GB eMMC
- Rated for extreme temperature use
- Supports Android 11.0 OS, Sunlight readable android tablet

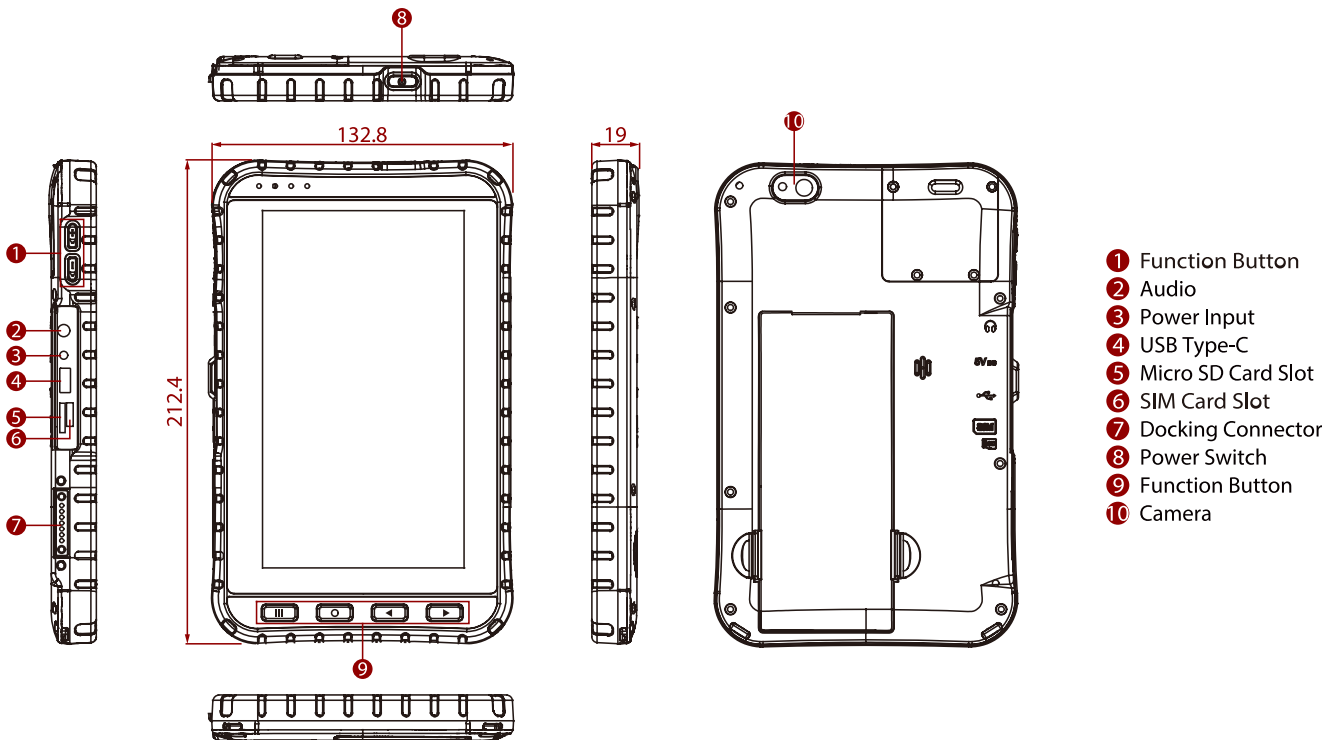


SPECIFICATIONS

Display	
Resolution	1280x720
Contrast Ratio	800:1
View Angles	80,80,80,80
Touch Mode	Support Hand / Gloves and Rain Mode
Size	7 inches
Panel Brightness	650 nits
Type	Projected Capacitive Multi Touch
Bonding	Optical Bonding for Sunlight Viewability
System Specification	
Processor	ARM A73 x 4 (2.0 GHz) + A53 x 4 (2.0 GHz)
Storage	64GB
WLAN	Support
WWAN	4G/LTE (Optional)
RFID	NFC (Read / Write, Peer to Peer mode) (Optional)
Memory	4GB
Operating System	Android 11.0
BT	Support
GNSS	GPS/GLONASS
Sensors	Ambient Light Sensor, E-Compass, Gyro, Acceleration Sensors
Camera	
Front Camera	8MP Camera
Rear Camera	13MP Camera with LED Auxiliary Light (Auto Focus)
Mechanical	
Dimension	212.4 x 132.8 x 19 mm
Weight	550g
IO Ports	
USB Port	1 x USB Type C OTG
SIM Card Slot	1 x Micro SIM Card Slot
SD Card Slot	1 x Micro SD Card Slot
Audio	1 x Audio Combo connector (Mic in and Line Out) 2 x Built-in Mic 1 x Speaker 1 x Earphone
Indicator	2 x LED Indicators (Power, Battery)
Docking Connector	1 x Docking Connector
Environment	
Operating Humidity	5% to 95% RH, Non-Condensing
Operating Temperature	-10°C to 50°C (Battery mode) -20°C to 60°C (Charging mode)
Storage Temperature	-30°C to 70°C
Shock	MIL-STD-810G Method 516.6 Procedure I
Vibration	MIL-STD-810G Method 514.6 Procedure I
IP rating	IP65
Drop	MIL-STD-810G Method 516.6, 5 ft

Certification	
Certification	CE, FCC
Control	
Button	1 x Volume + , 1 x Volume - , 1 x Power Button, 1 x Home Button, 1 x Menu Button, 1 x Return Button, 1 x Trigger Button
Power	
Battery	3.7V 5300mAh Warm swappable function (Optional)
Battery Operating Time	20Hr
Power Rating	DC 5V
Adapter	Input: 100V-240V AC Output: DC 5V 3A
Security Function	
SOTI MobiControl	SOTI MobiControl Compliance
Accessory	
Accessory	Universal Adapter x1 Battery x1
Optional Accessory	USB Type-C Cable x1 Battery Charging Dock Vehicle Dock (Charging + Connectors) Vehicle Dock (Charging Only) Desk Dock Hand Strap Micro SD Card Capacitive Touch Stylus Vehicle Adapter HDMI Adapter
Barcode Scanner	
Barcode Scanner	1D/2D Barcode Reader (Optional)

DIMENSIONS UNIT:MM



NOTE

1. Total usable memory will be less dependent upon actual system configuration.
2. SOTI is available upon request.
3. Length measurements do not include protrusions.
4. The drop test with a high-capacity battery must come with a hand strap.
5. Measured at dimming LCD brightness. Varies depending on the usage conditions, or when an external device is attached.
6. Accessories and integrated options may vary depending on your configuration.
7. This is a simplified drawing and some components are not marked in detail.
8. The product shown in this datasheet is a standard model. For diagrams that contain customized or optional I/O, please contact the Winmate Sales Team for more information.