

S101EK

10.1" Rugged Tablet with Intel® Celeron® N6211



KEY FEATURES

- Intel® Celeron® N6211 @1.20GHz (up to 3.00GHz), Windows Rugged Tablet PC
- 1920 x 1200 WUXGA with PCAP touch rugged tablet
- 2MP Webcam , 8MP AutoFocus Rear Camera
- IP65 waterproof and dustproof
- MIL-STD-810H shock, vibration and drop
- Optional 1D/2D Barcode Reader
- Sunlight readability technology
- Ethernet thru Giga LAN (RJ45)



SPECIFICATIONS

Display			
Resolution	1920x1200	Size	10.1 inches
Contrast Ratio	800:1	Panel Brightness	800 nits
View Angles	85,85,85,85	Bonding	Optical Bonding for Sunlight Viewability
Type	Projected Capacitive Multi Touch	Viewability	Anti-Glare touch treatment
Touch Mode	Support Hand / Gloves and Rain Mode		
System Specification			
Processor	Intel Celeron N6211 @1.20 GHz (up to 3.00 GHz) Intel Pentium N6415 @1.20 GHz (up to 3.00 GHz) (Optional)	Memory	4GB DDR4 SDRAM 8GB DDR4 SDRAM (Optional) 16GB DDR4 SDRAM (Optional)
Storage	128GB SSD Additional storage available with micro SDXC card slot 256GB SSD (Optional) 512GB SSD (Optional)	Security	Trusted Platform Module (TPM) 2.0 Kensington Lock
Operating System	Windows 10 IoT Enterprise LTSC (64 bit) Windows 11 IoT Enterprise SAC (64 bit) (Optional)	WLAN	Support
BT	Support	WWAN	4G LTE (Optional)
GNSS	GPS, GLONASS	Sensors	Light sensor/ G-sensor / Gyro
Camera			
Front Camera	2MP Front Camera	Rear Camera	8MP Rear Camera with auto-focus and LED light
Mechanical			
Dimension	272 x 192 x 25 mm	Weight	1.1 kg
Cooling System	Fanless design		
IO Ports			
USB Port	1 x USB 3.0 (Type A), 1 x USB 3.0 (Type C)	SD Card Slot	1 x Micro SDXC slot
SIM Card Slot	1 x Nano SIM card slot	Video	1 x Micro HDMI (Optional)
Audio	1 x Audio combo 3.5mm audio combo jack (Mic in or Line Out) Dual Mic Built-in Microphone Single Speaker	Expansion Port	1 x Expansion Connector for USB2.0 / UART (Optional)
LAN	1 x RJ45-10/100/1000 GigaLAN port	Indicator	2x LED Indicator for Power, Battery

Docking Connector 1 x 19-pin docking connector

Environment

Operating Humidity 10% to 90% RH, non-condensing

Storage Temperature -30°C to 70°C (-22°F to 158°F)

Vibration MIL-STD-810H Method 514.8 Procedure I

Drop MIL-STD-810H Method 516.8, 4 ft

Operating Temperature

Shock MIL-STD-810H Method 516.8 Procedure I

IP rating IP65

Certification

Certification CE, FCC

Security Function

SOTI MobiControl SOTI MobiControl Compliance

Kensington Lock Kensington Lock Support

Control

Button 1 x Power
2 x Programmable function Keys

Power

Battery 11.4V, typ. 3500 mAh Li-Ion Re-chargeable Battery (3S1P)
Hot-Swap (Optional)

Battery Operating Time Standard. Battery: 6 hours

Power Rating 19V DC

Adapter 100-240V, 50-60Hz / 19V DC

Accessory

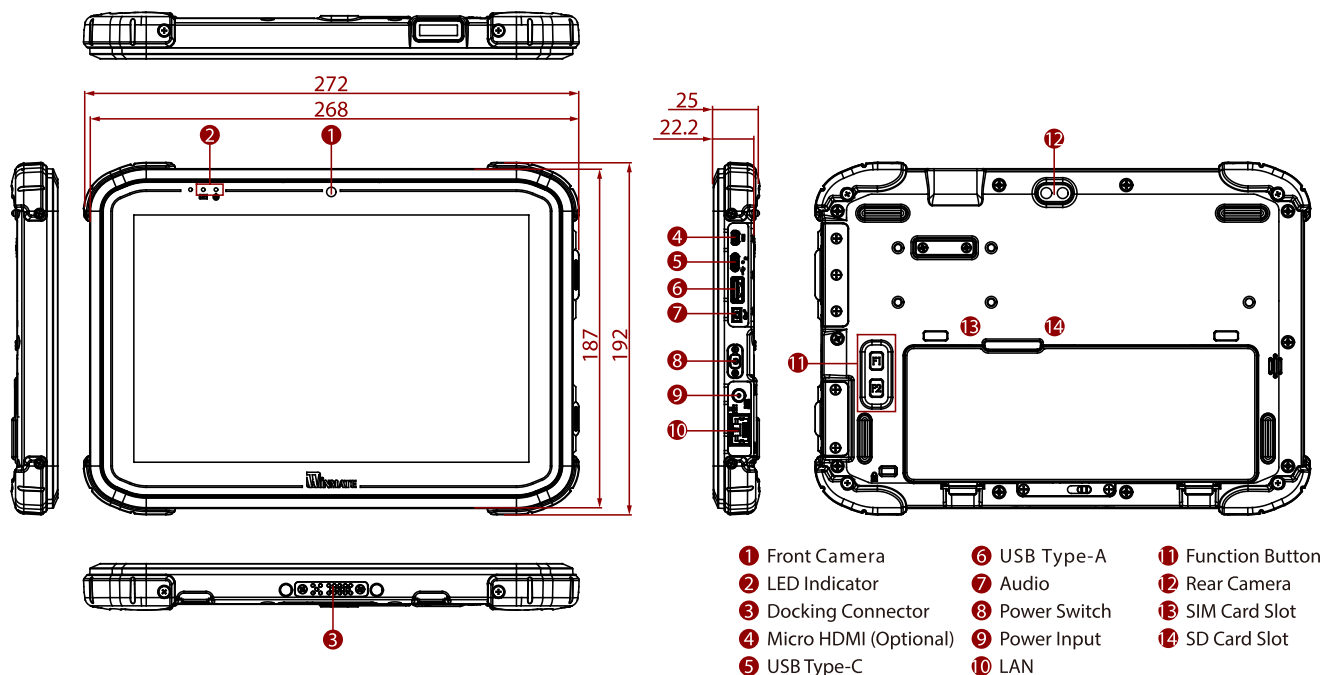
Accessory Adapter and Power Cord
Standard Battery

Optional Accessory Vehicle Charger (Optional)
Battery Charger (Optional)
Hand Strap (Optional)
Shoulder Strap (Optional)
Carry Bag (Optional)
Stylus (Optional)

Barcode Scanner

Barcode Scanner 1D/2D barcode reader (Optional)

DIMENSIONS UNIT:MM



NOTE

1. This is a simplified drawing and some components are not marked in detail.
2. Please contact our sales representative if you need further product information.
3. All specifications are subject to change without prior notice.
4. The product shown in this datasheet is a standard model. For diagrams that contain customized or optional I/O, please contact the Winmate Sales Team for more information.

-20°C to 60°C (AC mode), -10°C to 50°C (Batte