

# S101TG

## 10.1" Windows Rugged Tablet with Intel® Core™ i5-1135G7



### KEY FEATURES

- Windows rugged tablet with 11th generation Intel® Tiger Lake processor
- 1920 x 1200 WUXGA with PCAP touch
- Anti-glare screen protection film
- Sunlight readability technology
- 2MP Webcam , 8MP Auto-Focus Rear Camera
- IP65 waterproof and dustproof
- MIL-STD-810H shock, vibration and drop
- Ethernet thru Giga LAN (RJ45)
- Optional 1D/2D Barcode Reader



### SPECIFICATIONS

Display			
<b>Resolution</b>	1920x1200	<b>Size</b>	10.1 inches
<b>Contrast Ratio</b>	800:1	<b>Panel Brightness</b>	800 nits
<b>View Angles</b>	85,85,85,85	<b>Bonding</b>	Optical Bonding for Sunlight Viewability
<b>Type</b>	Projected Capacitive Multi Touch	<b>Viewability</b>	Anti-Glare touch treatment
<b>Touch Mode</b>	Support Hand / Gloves and Rain Mode		
System Specification			
<b>Processor</b>	Intel Core i5-1135G7 2.4GHz (up to 4.2GHz)	<b>Memory</b>	4GB DDR4 SDRAM 8GB DDR4 SDRAM (Optional) 16GB DDR4 SDRAM (Optional) 32GB DDR4 SDRAM (Optional)
<b>Storage</b>	128GB SSD Additional storage available with micro SDXC card slot 256GB SSD (Optional) 512GB SSD (Optional) 1TB SSD (Optional) 2TB SSD (Optional)	<b>Security</b>	Trusted Platform Module (TPM) 2.0 Kensington Lock
<b>Operating System</b>	Windows 10 IoT Enterprise LTSC (64 bit) Windows 11 IoT Enterprise SAC (64 bit) (Optional)	<b>WLAN</b>	Support
<b>BT</b>	Support	<b>WWAN</b>	4G LTE (Optional)
<b>GNSS</b>	GPS, GLONASS	<b>Sensors</b>	Light sensor/ G-sensor / Gyro
Camera			
<b>Front Camera</b>	2MP Front Camera	<b>Rear Camera</b>	8MP Rear Camera with auto-focus and LED light
Mechanical			
<b>Dimension</b>	272 x 192 x 25 mm	<b>Weight</b>	1.1 kg
<b>Cooling System</b>	Fan design		
IO Ports			
<b>USB Port</b>	1 x USB 3.0 (Type A), 1 x USB 3.0 (Type C)	<b>SD Card Slot</b>	1 x Micro SDXC slot
<b>SIM Card Slot</b>	1 x Nano SIM card slot	<b>Video</b>	1 x Micro HDMI (Optional)
<b>Audio</b>	1 x Audio combo 3.5mm audio combo jack (Mic in or Line Out)	<b>Expansion Port</b>	1 x Expansion Connector for USB3.0 / UART (Optional)

Dual Mic Built-in Microphone  
Single Speaker

**LAN** 1 x RJ45-10/100/1000 GigaLAN port

**Indicator**

**Docking Connector** 1 x 19-pin docking connector

### Environment

**Operating Humidity** 10% to 90% RH, non-condensing

**Operating Temperature** -20°C to 60°C (AC mode), -10°C to 50°C (Battery mode)

**Storage Temperature** -30°C to 70°C (-22°F to 158°F)

**Shock** MIL-STD-810H Method 516.8 Procedure I

**Vibration** MIL-STD-810H Method 514.8 Procedure I

**IP rating** IP65

**Drop** MIL-STD-810H Method 516.8, 4 ft

### Certification

**Certification** CE, FCC

### Security Function

**SOTI MobiControl** SOTI MobiControl Compliance

**Kensington Lock** Kensington Lock Support

### Control

**Button** 1 x Power  
2 x Programmable function Keys

### Power

**Battery** 11.4V, typ. 3500 mAh Li-Ion Re-chargeable Battery (3S1P)  
Hot-Swap (Optional)

**Battery Operating Time** Standard. Battery: 6 hours

**Power Rating** 19V DC

**Adapter** 100-240V, 50-60Hz / 19V DC

### Accessory

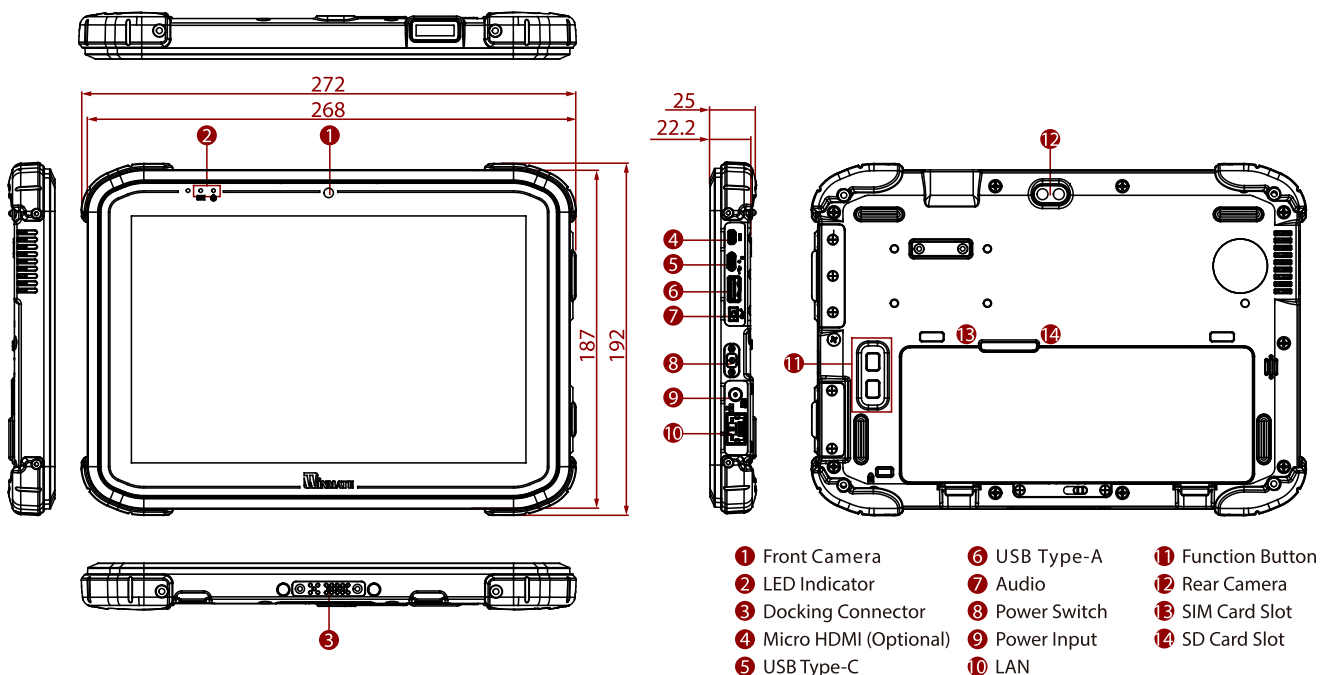
**Accessory** Adapter and Power Cord  
Standard Battery

**Optional Accessory** Vehicle Charger (Optional)  
Battery Charger (Optional)  
Hand Strap (Optional)  
Shoulder Strap (Optional)  
Carry Bag (Optional)  
Stylus (Optional)

### Barcode Scanner

**Barcode Scanner** 1D/2D barcode reader (Optional)

## DIMENSIONS UNIT:MM



## NOTE

1. This is a simplified drawing and some components are not marked in detail.
2. Please contact our sales representative if you need further product information.
3. All specifications are subject to change without prior notice.
4. The product shown in this datasheet is a standard model. For diagrams that contain customized or optional I/O, please contact the Winmate Sales Team for more information.