

# Vehicle Docking

Model Name: VD-S101

Part Number: 98D010A00004



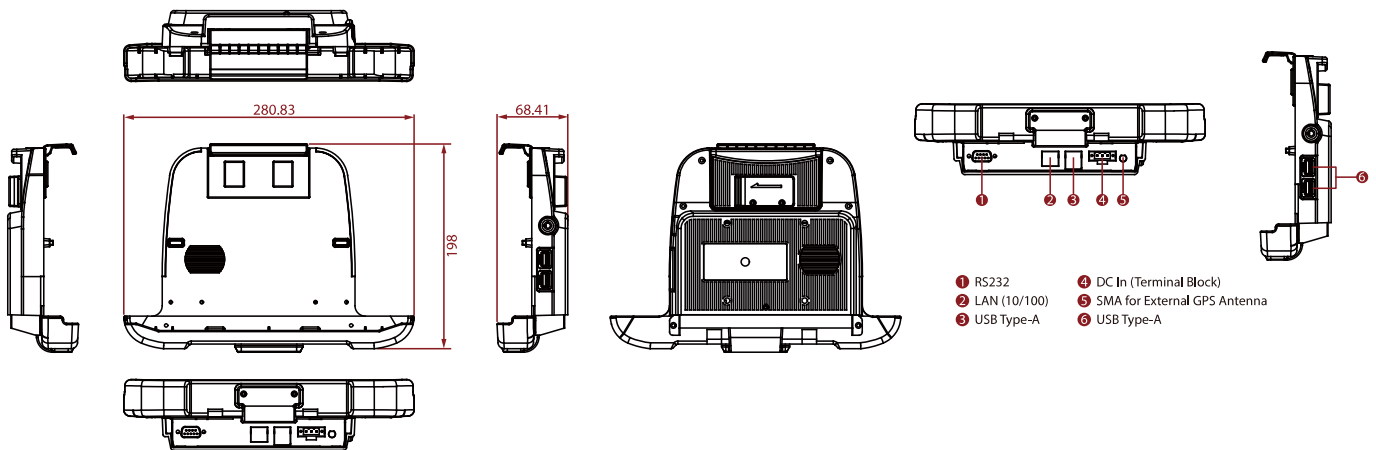
## KEY FEATURES

- 
- 
- VESA Mounting support
- USB 2.0 x 4 (Rear x2, Bottom x2)
- 9-36V DC IN with 3-pin terminal block
- Easy insert and release with Key-Lock

## SPECIFICATIONS

- **Dimension** 280.83 x 198 x 68.41 mm
- **Power Input** 9~36V DC In
- 
- **Mounting** 75 x 75mm VESA Mount
- **IO Ports** Side: USB 2.0 x2 Bottom: RS232 x1 (5V/1A), LAN x1, USB 2.0 x2, 3-Pin Terminal Block x1, SMA for External GPS Antenna x1
- **Operating Temperature** -20°C ~ 60°C
- **Vibration** MIL STD. 810H, 5 ~ 500Hz, 2.24G

## DIMENSIONS UNIT:MM



## NOTE

1. Specifications subject to change without notice.
2. For customized or optional input/output configurations, please contact the Winmate.
3. The drawing provided is a simplified representation, some components not marked.
4. For more information, refer to the user manual or contact technical support.

