

EACIM20

A53 Quad-core Industrial IoT Gateway



KEY FEATURES

- A53 Quad-core 2.0 GHz
- Fanless cooling system Industrial IoT Gateway
- 4GB LPDDR4, 32GB eMMC
- Compact size 100 x 70 x 31 mm (w/o mounting bracket)
- Various mounting options: desk, wall, VESA, DINRail
- Microsoft Azure Certified for IoT
- Support Android or Linux operating system

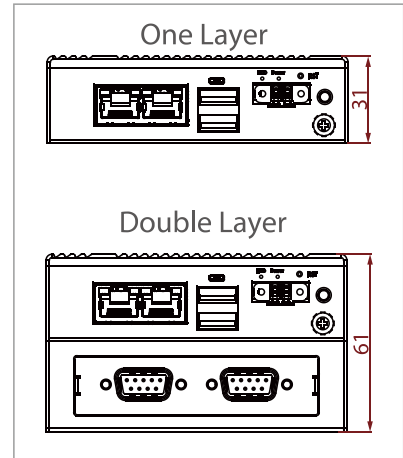
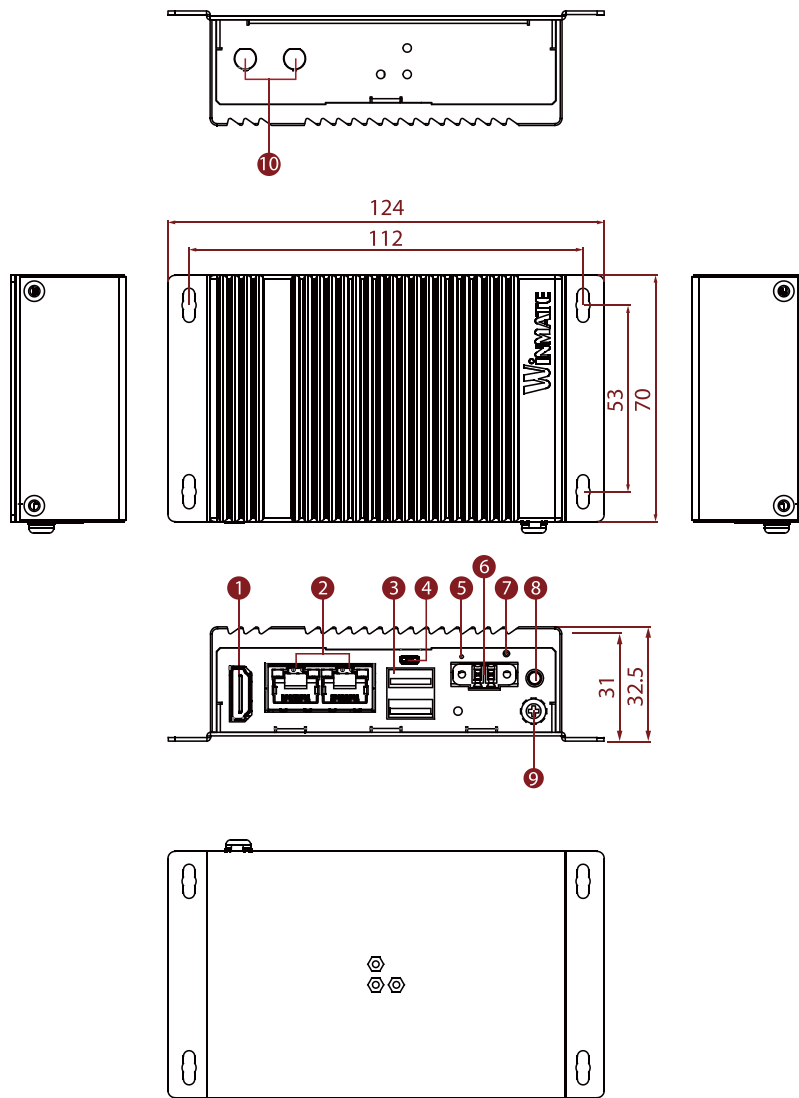


SPECIFICATIONS

System Specification			
Processor	ARM A53 (Quad Core 2.0GHz)	Memory	4GB LPDDR4
Storage	eMMC: Onboard 32 GB	Security	SOTI MobiControl Compliance
Operating System	Android 11 (Upgradeable to Android 13) Linux Yocto 5.10.104 with QT 5.15 (Optional) Linux Ubuntu (Optional)	WLAN	Support (Optional)
BT	Support for Android (Optional)	WWAN	4G/LTE (Optional)
Expansion Port	EACWSLT-231 3-port RS232/422/485 w/ isolation EACWSLT-232 16-Channel Digital I/O w/ isolation EACWSLT-233 2-port CANBUS w/ isolation EACWLST-234 3-port USB 2.0 EACWLST-235 2-port RS232/422/485 w/ isolation		
Mechanical			
Dimension	100 (W) x 70 (H) x 31(D) mm(One layer) 100 (W) x 70 (H) x 61(D) mm(Double layer)	Weight	0.4 kg (One layer), 0.5 kg (Double layer)
Mounting	Desk Mounting & Wall Mounting VESA Mounting (Optional) DIN-Rail Mounting (Optional)	Cooling System	Fanless design
Environment			
Operating Humidity	30% to 90% RH, Non-Condensing	Operating Temperature	0°C to 55°C
Storage Temperature	-15°C to 70°C	Shock	Operating, IEC 60068-2-27
Vibration	Operating, IEC 60068-2-64	IP rating	IP30
Certification			
Certification	CE, FCC Microsoft Azure Certified for IoT		
IO Ports			
Power Input	1 x 9~36V DC, 2-Pin Terminal Block	USB Port	2 x USB2.0 (Type-A) 1 x USB2.0 OTG (Micro USB), support Android Debug Bridge (adb)
Video	1 x HDMI (Up to 1080p/30Hz) (Optional)	Expansion Port	1 x M.2 slot 2 x USB Wafer
LAN	2 x Giga LAN RJ45 Connector for Linux 1 x Giga LAN RJ45 Connector for Android	Indicator	1 x LED Indicator for power

Control			
Button	1 x Power Button 1 x Reset Button		
Accessory			
Accessory	Terminal Block 2 pin to 2.5Ø Female Adapter Cable Quick Start Guide Open Wire Cable WLAN External Antenna*2 (For WLAN sku) WWAN External Antenna*2 (For WWAN sku) BT External Antenna*1 (For BT sku)	Optional Accessory	AC to DC Adapter 12V/36W (Optional) VESA Mount Kit (Optional) DIN Rail Mount Kit (Optional) Micro USB to Type A Cable (Optional)
Power			
Power Rating	9V~36V DC, 2-Pin Terminal Block	Adapter	12V 36W (Optional)
Ordering Information			
Option	EACIM20-100 Standard SKU EACIM20-101 with WLAN and BT SKU (Optional) EACIM20-102 with WWAN SKU (Optional) EACIM20-103 with WLAN, BT and WWAN SKU (Optional) EACWSLT-231 3-port RS232/422/485 w/ isolation (Optional) EACWSLT-232 16-Channel Digital I/O w/ isolation (Optional) EACWSLT-233 2-port CANBUS w/ isolation (Optional) EACWSLT-234 4-port USB 2.0 (Optional) EACWSLT-235 2-port RS232/422/485 w/ isolation (Optional)		

DIMENSIONS UNIT:MM



* The Flexible ExPandable Module.

- | | |
|-----------------|---------------------|
| ① HDMI | ⑥ Power Input |
| ② LAN | ⑦ Reset Button |
| ③ USB Type-A | ⑧ Power Switch |
| ④ Micro USB | ⑨ Chassis Grounding |
| ⑤ LED Indicator | ⑩ SMA |

NOTE

1. This is a simplified drawing and some components are not marked in detail.
2. Please contact our sales representative if you need further product information.
3. The Android OS option of EACIM20 only supports 1 x LAN.
4. The product shown in this datasheet is a standard model. For diagrams that contain customized or optional I/O, please contact the Winmate Sales Team for more information.
5. Default resolution of HDMI:1280x800 with 160 DPI.