

FM07P

7inch Windows Forklift Computer with Intel® Celeron® N3350



KEY FEATURES

- Intel® Celeron N3350 (Apollo Lake) Processor, Windows forklift computer
- 7" 1024 x 600 panel with projected capacitive multi-touch screen
- Wide power input 9-36V DC with ignition optional isolation power solution
- WWAN, BT, WLAN and GPS for wireless connectivity
- Wide operating temperature range -20°C to 60°C
- Shock and vibration resistance according to MIL-STD-810G



SPECIFICATIONS

Display	
Resolution	1024x600
Contrast Ratio	700:1
View Angles	75,75,75,70
Touch / Glass	Projected Capacitive Multi Touch Screen
Size	7.0 inches
Panel Brightness	1000.0 nits
Active Area	153.6x90 mm
System Specification	
Processor	Intel Celeron N3350 1.1GHz (up to 2.4GHz) Intel Pentium N4200 1.1GHz (up to 2.5GHz) (Optional)
Memory	1 x SO-DIMM, DDR3L 1600 MHz, 4GB 8GB (Optional)
Storage	1 x M.2 2242 SSD 128GB
Ethernet controller	1 x Intel® Ethernet Controller
Security	TPM 2.0
Operating System	Windows 10 IoT Enterprise (64 bit) Linux Ubuntu 20.04 (Optional)
WLAN	Support
BT	Support
WWAN	4G/LTE (Optional)
GNSS	GPS, GLONASS
Environment	
Operating Humidity	10% to 95% RH
Operating Temperature	-20°C~60°C
Storage Temperature	-20°C~60°C
Shock	MIL-STD-810G Method 516.6 Procedure I
Vibration	MIL-STD-810G Method 514.6 Procedure I
IP rating	Front IP65
Certification	
Certification	CE, FCC
IO Ports	
USB Port	2 x USB
Serial Port	2 x COM Port
SIM Card Slot	1 x SIM Card Slot
Audio	1x Speaker
LAN	1 x Gigabit Ethernet LAN 10/100/100 Mbps
Front Control	5 x Function Key
Indicator	Power, HD
DIDO	1 x DIDO (3XDI ; 3XDO)
CANBUS	2 x CANBUS
Control	
Button	1 x Power Button, 5x Function Button (Programmable Function Key Configured by Winset)

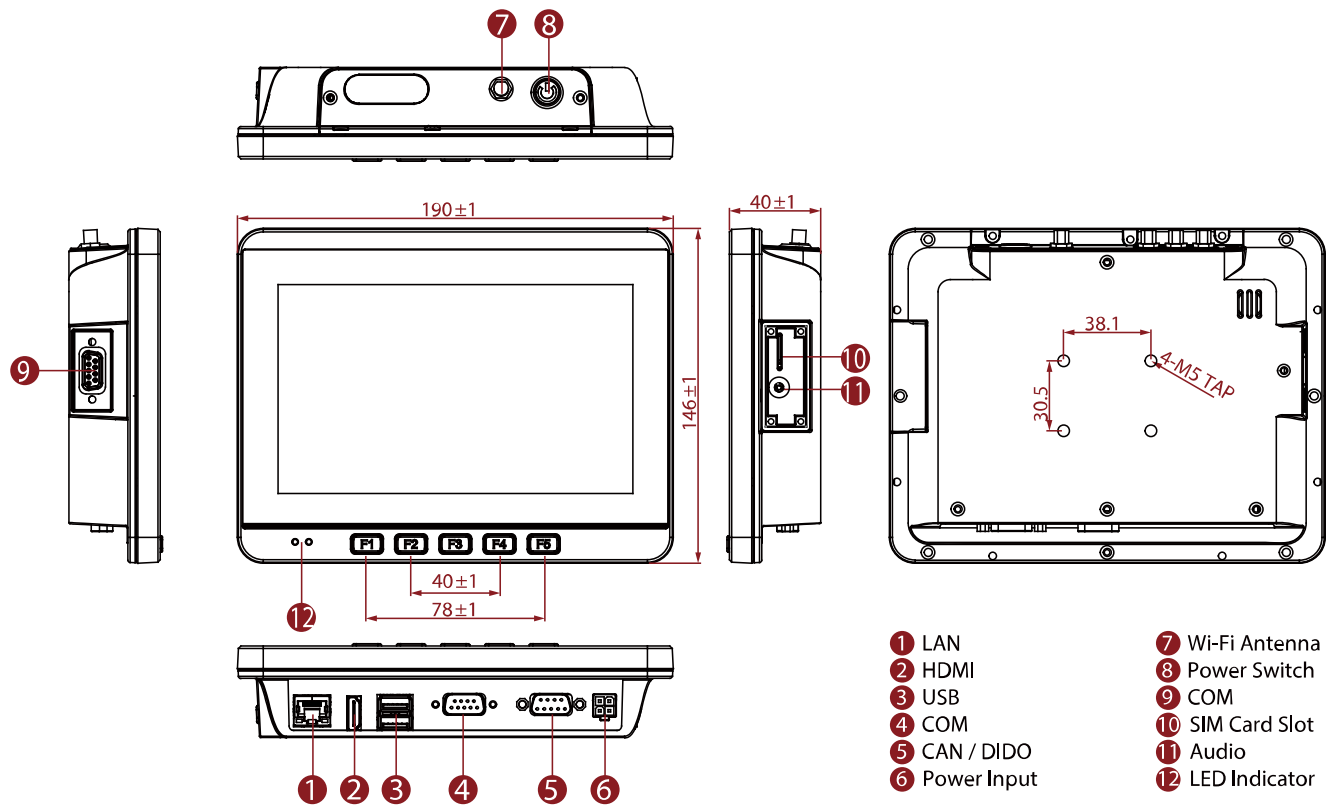
Accessory

Accessory	User Guide CANBus and DIDO Cable, 1.8m WLAN Antenna Power Converter Cable Power Adapter	Optional Accessory	WWAN Antenna x 2 GPS Antenna (Optional)
------------------	---	---------------------------	--

Power

Power Rating	9V-36V, with ignition control	Consumption	Max: 35W
---------------------	-------------------------------	--------------------	----------

DIMENSIONS UNIT:MM



NOTE

1. Total usable memory will be less dependent upon actual system configuration.
2. Length measurements do not include protrusions. Weight varies with options.
3. Accessories may vary depending on your configuration.
4. The product shown in this datasheet is a standard model. For diagrams that contain customized or optional I/O, please contact the Winmate Sales Team for more information.