

# FM10

## 10.4inch Vehicle Computer Mounts with Intel Atom® E3845



### KEY FEATURES

- Intel® Quad Core Atom® E3845 Processor Windows Vehicle Computer Mounts
- 10.4" 1024 x 768 Panel with anti-scratch resistive touch screen
- Field replaceable front panel to reduce service costs
- Magnesium alloy housing
- IP65 waterproof and dustproof
- Wide range operating temperature

CE FCC IC



PTCRB™

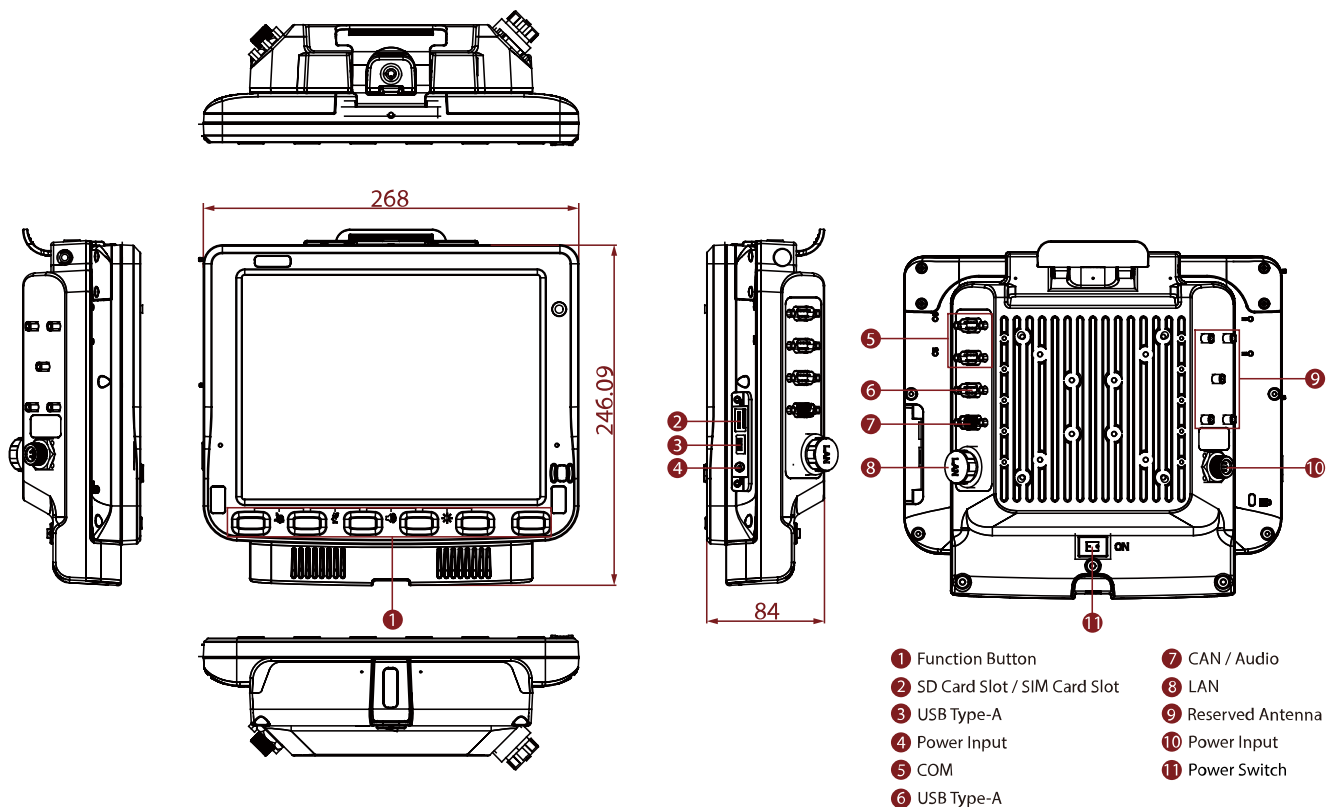


### SPECIFICATIONS

Display	
<b>Resolution</b>	1024x768
<b>Contrast Ratio</b>	1200:1
<b>View Angles</b>	88,88,88,88
<b>Touch Mode</b>	With Stylus Support
<b>Size</b>	10.4 inches
<b>Panel Brightness</b>	400 nits 800 nits(Optional)
<b>Type</b>	Resistive Touch
System Specification	
<b>Processor</b>	Intel Atom® E3845 (2M Cache, 1.91 GHz)
<b>Storage</b>	1 x M.2 2242 SSD 128GB 256GB (Optional)
<b>Operating System</b>	Windows 10 IoT Enterprise Windows 7 Professional for Embedded System (Optional) Windows Embedded Standard 7 (Optional)
<b>Memory</b>	1 x SO-DIMM, DDR3L 1600 MHz, 4GB 8GB (Optional)
<b>BT</b>	Support
<b>GNSS</b>	GPS/AGPS
<b>Security</b>	TPM 1.2
<b>WLAN</b>	Support
<b>WWAN</b>	4G/LTE (Optional)
<b>Sensors</b>	G-Sensor, Light Sensor ,Temp Sensor
Camera	
<b>Front Camera</b>	2MP Camera
Environment	
<b>Operating Humidity</b>	5% to 90% RH, Non-Condensing
<b>Storage Temperature</b>	-30°C to 60°C
<b>Vibration</b>	MIL-STD-810G Method 514.6 Procedure I
<b>Impact</b>	Support EN62262 IK07 Rating
<b>Operating Temperature</b>	-30°C to 50°C
<b>Shock</b>	MIL-STD-810G Method 516.6 Procedure I
<b>IP rating</b>	IP65 Certified, Waterproof and Dustproof
<b>ESD</b>	Compliant with EN 61000-4-2, enhanced ESD to ±12kV direct & ±15kV air
Certification	
<b>Certification</b>	CE, FCC, UL60950-1, EN60950-1, PTCRB, FCC (Electromagnetic Emissions), IC (ICES-003)
Control	

<b>Button</b>	1 x Power Button, 6 x Function Button (Programmable Function Key Configured by Winset)		
<b>IO Ports</b>			
<b>USB Port</b>	1 x USB 3.0(Tablet) 1 x DB9 Connector for 2 x USB 2.0 Port(Docking)	<b>Serial Port</b>	2 x COM Port(Docking)
<b>SD Card Slot</b>	1 x Micro SD Card Slot(Tablet)	<b>SIM Card Slot</b>	1 x SIM Card Slot(Tablet)
<b>Audio</b>	2 x Speaker(Docking) 1 x CANBus or 1 x Audio(Docking)	<b>LAN</b>	1 x Gigabit LAN port(Docking)
<b>Indicator</b>	6 x LED Indicator (WLAN, BT, UPS battery, HDD, Screen Blanking, Heater)	<b>CANBUS</b>	1 x CANBus / Audio
<b>Mechanical</b>			
<b>Dimension</b>	Tablet: 268 x 214 x 35 mm (10.6 x 8.42 x 1.37 inches) Docking: 202 x 245 x 52 mm (7.9 x 9.6 x 2.04 inches)	<b>Weight</b>	Tablet 1.7 kg (3.75 lbs) Docking 1.6 kg (3.53 lbs)
<b>Mounting</b>	RAM Mount/ VESA Mount	<b>Cooling System</b>	Fanless Design
<b>Docking Housing</b>	Aluminum Alloy Housing		
<b>Security Function</b>			
<b>SOTI MobiControl</b>	SOTI MobiControl Compliance		
<b>Accessory</b>			
<b>Accessory</b>	5M Power Cable with Fuse Kit 0.3M USB Cable 0.15M Power Converter Cable DC Jack Power Cable 84W Adapter with power cable Cable Clamp Kit Wi-Fi Antenna x 2 Quick Start Guide External Antenna Fixing Bracket Dock + Latch Locking Key Stylus Kit + Screw	<b>Optional Accessory</b>	1.8M RS232 Cable 0.3M Audio Cable 1.8M CAN BUS Cable 1.8M CAN BUS Open Wire Cable 2M IP65 LAN Cable GPS & LTE 2M Combo Antenna(VM240) GPS & LTE 5M Combo Antenna (VM9C) Magnetic Combo Antenna (VM10S) WWAN Antenna
<b>Power</b>			
<b>Battery</b>	7.6V UPS Battery (2S1P) Minimum 30 minutes	<b>Power Rating</b>	Docking: 10V-60V with ignition control  Tablet: 12V DC In

## DIMENSIONS UNIT:MM



## NOTE

1. Total usable memory will be less dependent upon actual system configuration.
2. SOTI is available upon request.
3. Length measurements do not include protrusions. Weight varies with options.
4. Measured at dimming LCD brightness. Varies depending on the usage conditions, or when an external device is attached.
5. Accessories may vary depending on your configuration.
6. This is a simplified drawing and some components are not marked in detail.
7. The product shown in this datasheet is a standard model. For diagrams that contain customized or optional I/O, please contact the Winmate Sales Team for more information.