

# FM10E-V

## 10.4inch Windows Vehicle Mounted Terminal with Intel® Elkhart lake x6425E



### KEY FEATURES

- Intel® Elkhart lake x6425E Processor, Windows Vehicle Mounted Terminal
- 10.4" 1024 x 768 Panel with PCAP touch screen
- IP65 waterproof and dustproof
- Wide power input 10-60V DC with ignition
- Wide range operating temperature
- Support VESA Mount



### SPECIFICATIONS

Display	
<b>Resolution</b>	1024x768
<b>Contrast Ratio</b>	1200:1
<b>View Angles</b>	88,88,88,88
<b>Touch Mode</b>	With Stylus Support With Gloves Support
<b>Size</b>	10.4 inches
<b>Panel Brightness</b>	400 nits 800 nits(Optional)
<b>Type</b>	Projected Capacitive Multi Touch
System Specification	
<b>Processor</b>	Intel Elkhart Lake x6425E Processor , 2.0 GHz
<b>Storage</b>	128GB M.2 SSD 256GB M.2 SSD (Optional)
<b>Operating System</b>	Windows 10 IoT Enterprise
<b>BT</b>	Support
<b>GNSS</b>	GPS/GLONASS (Optional)
<b>Memory</b>	4GB SODIMM DDR4-3200 8GB SODIMM DDR4-3200 (Optional)
<b>Security</b>	TPM 2.0
<b>WLAN</b>	Support
<b>WWAN</b>	4G/LTE (Optional)
<b>Sensors</b>	G-Sensor, Light Sensor ,Temp Sensor
Camera	
<b>Front Camera</b>	2MP Camera
Environment	
<b>Operating Humidity</b>	5% to 90% RH, Non-Condensing
<b>Storage Temperature</b>	-30°C to 60°C
<b>Vibration</b>	MIL-STD-810H Method 514.8 Procedure I
<b>Impact</b>	Support EN62262 IK07 Rating
<b>Operating Temperature</b>	-30°C to 50°C
<b>Shock</b>	MIL-STD-810H Method 516.8 Procedure I
<b>IP rating</b>	IP65 Certified, Waterproof and Dustproof
<b>ESD</b>	Compliant with EN 61000-4-2, enhanced ESD to ±12kV direct & ±15kV air
Certification	
<b>Certification</b>	CE, FCC, UL60950-1, EN60950-1, PTCRB, FCC (Electromagnetic Emissions), IC (ICES-003)
Control	
<b>Button</b>	1 x Power Button, 6 x Function Button (Programmable Function Key Configured by Winset)
IO Ports	

<b>USB Port</b>	1 x USB Type-C 1 x USB 2.0 Type-A	<b>Serial Port</b>	2 x RS232/422/485 (Default RS232)
<b>SD Card Slot</b>	1 x Micro SD Card Slot	<b>SIM Card Slot</b>	
<b>Audio</b>	1 x Audio(Mic in or Line Out) either one with DIDO (Optional)	<b>LAN</b>	1 x Gigabit LAN port PSE (IEEE 802.3at 30W) (Optional)
<b>Indicator</b>	6 x LED Indicator (WLAN, BT, UPS battery, HDD, Screen Blanking, Heater)	<b>DIDO</b>	1 x DIDO (2XDI ; 2XDO) either one with Audio (Optional)
<b>CANBUS</b>	1 x CANBus (Optional)		

<b>Mechanical</b>			
<b>Dimension</b>	268.1 x 214 x 51 mm	<b>Weight</b>	2.4kg
<b>Mounting</b>	RAM Mount/ VESA Mount	<b>Cooling System</b>	Fanless Design

<b>Security Function</b>			
<b>SOTI MobiControl</b>	SOTI MobiControl Compliance		

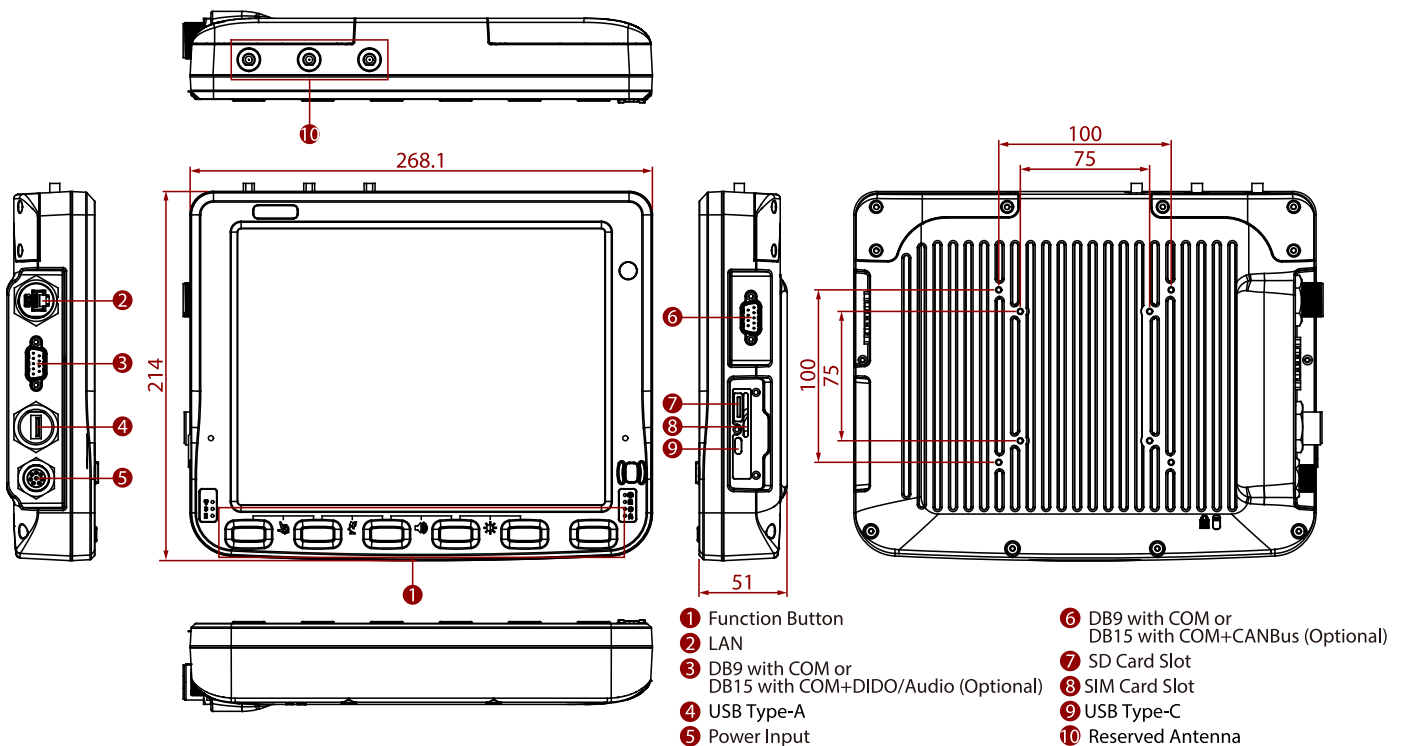
<b>Accessory</b>			
------------------	--	--	--

<b>Accessory</b>	5M Power Cable with Fuse Kit 0.15M Power Converter Cable DC Jack Power Cable 84W Adapter with power cable Quick Start Guide	<b>Optional Accessory</b>	1.8M RS232 Cable 2M IP65 LAN Cable GPS & LTE 2M Combo Antenna(VM240) GPS & LTE 5M Combo Antenna (VM9C) GPS & LTE Combo Antenna (VM10S) GPS Antenna WWAN Antenna 2M Waterproof USB Type-A to A Cable Cable Clamp Kit COM Port + CANBus Cable COM Port + DIDO Cable Stylus Kit + Screw
------------------	---	---------------------------	---

<b>Power</b>			
--------------	--	--	--

<b>Battery</b>	400mAh UPS Battery for 20 minutes backup (Optional)	<b>Power Rating</b>	10V~60V with ignition control
----------------	---	---------------------	-------------------------------

## DIMENSIONS UNIT:MM



## NOTE

1. Total usable memory will be less dependent upon actual system configuration.
2. SOTI is available upon request.
3. Length measurements do not include protrusions. Weight varies with options.
4. Measured at dimming LCD brightness. Varies depending on the usage conditions, or when an external device is attached.
5. Accessories may vary depending on your configuration.
6. This is a simplified drawing and some components are not marked in detail.
7. The product shown in this datasheet is a standard model. For diagrams that contain customized or optional I/O, please contact the Winmate Sales Team for more information.
8. COM port can supply 5V power via the 9th pin.
9. The UPS battery is only expected to use for backup under low system loading and without I/O function.

1 x Dual-

Nano SIM Card Slot