

# FM10E

## 10.4inch Mobile Computer Mounts with Intel® Elkhart lake x6425E



### KEY FEATURES

- Intel® Elkhart lake x6425E Processor
- 10.4" 1024 x 768 Panel with PCAP touch screen mobile computer mounts
- Field replaceable front panel to reduce service costs
- IP65 waterproof and dustproof
- Wide range operating temperature



### SPECIFICATIONS

Display	
<b>Resolution</b>	1024x768
<b>Contrast Ratio</b>	1200:1
<b>View Angles</b>	88,88,88,88
<b>Touch Mode</b>	With Stylus Support With Gloves Support
<b>Size</b>	10.4 inches
<b>Panel Brightness</b>	400 nits 800 nits(Optional)
<b>Type</b>	Projected Capacitive Multi Touch
System Specification	
<b>Processor</b>	Intel Atom® x6425E (1.5M Cache, up to 3.00 GHz)
<b>Storage</b>	1 x M.2 2242 SSD 128GB 256GB (Optional)
<b>Operating System</b>	Windows 10 IoT Enterprise
<b>BT</b>	Support
<b>GNSS</b>	GPS/AGPS
<b>Memory</b>	1 x SO-DIMM, DDR4 3200 MHz, 4GB 8GB (Optional)
<b>Security</b>	TPM 2.0
<b>WLAN</b>	Support
<b>WWAN</b>	4G/LTE (Optional)
<b>Sensors</b>	G-Sensor, Light Sensor ,Temp Sensor
Camera	
<b>Front Camera</b>	2MP Camera
Environment	
<b>Operating Humidity</b>	5% to 90% RH, Non-Condensing
<b>Storage Temperature</b>	-30°C to 60°C
<b>Vibration</b>	MIL-STD-810G Method 514.6 Procedure I
<b>Impact</b>	Support EN62262 IK07 Rating
<b>Operating Temperature</b>	-30°C to 50°C
<b>Shock</b>	MIL-STD-810G Method 516.6 Procedure I
<b>IP rating</b>	IP65 Certified, Waterproof and Dustproof
<b>ESD</b>	Compliant with EN 61000-4-2, enhanced ESD to ±12kV direct & ±15kV air
Certification	
<b>Certification</b>	CE, FCC, UL60950-1, EN60950-1, PTCRB, FCC (Electromagnetic Emissions), IC (ICES-003)
Control	
<b>Button</b>	1 x Power Button, 6 x Function Button (Programmable Function Key Configured by Winset)
IO Ports	

<b>USB Port</b>	1 x USB Type-C(Tablet) 1 x DB9 Connector for 2 x USB 2.0 Port(Docking)
<b>SD Card Slot</b>	1 x Micro SD Card Slot(Tablet)
<b>Audio</b>	2 x Speaker(Docking) 1 x CANBus or 1 x Audio(Docking)
<b>Indicator</b>	6 x LED Indicator (WLAN, BT, UPS battery, HDD, Screen Blanking, Heater)

<b>Serial Port</b>	2 x COM Port(Docking)
<b>SIM Card Slot</b>	
<b>LAN</b>	1 x Gigabit LAN port(Docking)
<b>CANBUS</b>	1 x CANBus / Audio

### Mechanical

<b>Dimension</b>	Tablet: 268 x 214 x 35 mm (10.6 x 8.42 x 1.37 inches) Docking: 202 x 245 x 52 mm (7.9 x 9.6 x 2.04 inches)	<b>Weight</b>	Tablet 1.7 kg (3.75 lbs) Docking 1.6 kg (3.53 lbs)
<b>Mounting</b>	RAM Mount/ VESA Mount	<b>Cooling System</b>	Fanless Design
<b>Docking Housing</b>	Aluminum Alloy Housing		

### Security Function

<b>SOTI MobiControl</b>	SOTI MobiControl Compliance
-------------------------	-----------------------------

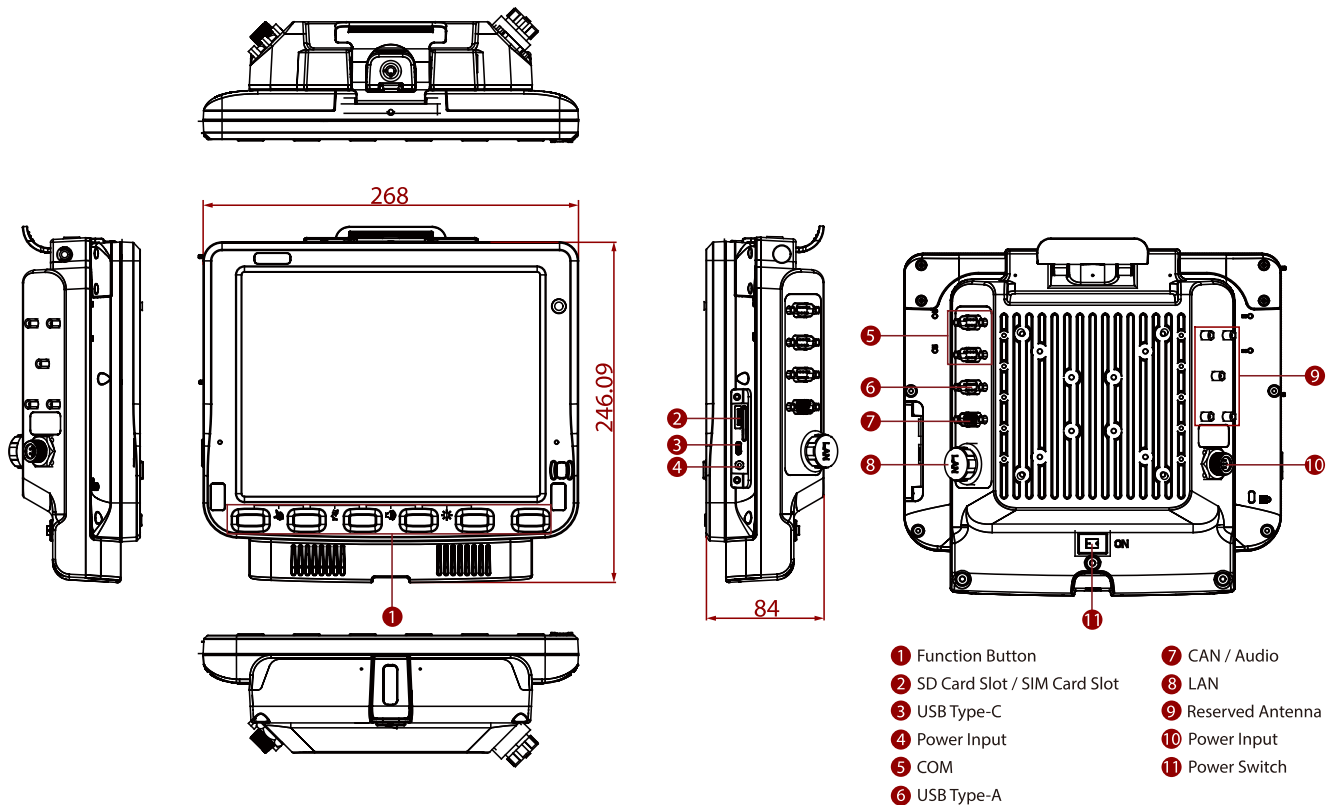
### Accessory

<b>Accessory</b>	5M Power Cable with Fuse Kit 0.3M USB Cable 0.15M Power Converter Cable DC Jack Power Cable 84W Adapter with power cable Cable Clamp Kit Wi-Fi Antenna x 2 Quick Start Guide External Antenna Fixing Bracket Dock + Latch Locking Key Stylus Kit + Screw	<b>Optional Accessory</b>	1.8M RS232 Cable 0.3M Audio Cable 1.8M CAN BUS Cable 1.8M CAN BUS Open Wire Cable 2M IP65 LAN Cable GPS & LTE 2M Combo Antenna(VM240) GPS & LTE 5M Combo Antenna (VM9C) Magnetic Combo Antenna (VM10S) WWAN Antenna
------------------	--	---------------------------	---

### Power

<b>Battery</b>	7.6V UPS Battery (2S1P) Minimum 30 minutes	<b>Power Rating</b>	Docking: 10V-60V with ignition control Tablet: 12V DC In
----------------	---	---------------------	---

## DIMENSIONS UNIT:MM



## NOTE

1. Total usable memory will be less dependent upon actual system configuration.
2. SOTI is available upon request.
3. Length measurements do not include protrusions. Weight varies with options.
4. Measured at dimming LCD brightness. Varies depending on the usage conditions, or when an external device is attached.
5. Accessories may vary depending on your configuration.
6. This is a simplified drawing and some components are not marked in detail.
7. The product shown in this datasheet is a standard model. For diagrams that contain customized or optional I/O, please contact the Winmate Sales Team for more information.

Nano SIM Card Slot(Tablet) 1 x Dual-