

FM12E

12.1" Forklift Mounted Computers with Intel® Elkhart lake x6425E



KEY FEATURES

- Intel® Elkhart lake x6425E Processor, Windows forklift mounted computers
- 12.1" 1024 x 768 Panel with PCAP Touch
- Field replaceable front panel to reduce service costs
- IP65 waterproof and dustproof
- Wide range operating temperature



SPECIFICATIONS

Display			
Type	Projected Capacitive Multi Touch	Touch Mode	With Stylus Support With Gloves Support
Resolution	1024x768	Size	12.1 inches
Contrast Ratio	1000:1	Panel Brightness	400 nits 800 nits(Optional)
View Angles	89,89,89,89		
System Specification			
Processor	Intel Atom® x6425E (1.5M Cache, up to 3.00 GHz)	Memory	1 x SO-DIMM, DDR4 3200 MHz, 4GB 8GB (Optional)
Storage	1 x M.2 2242 SSD 128GB 256GB (Optional)	Security	TPM 2.0
Operating System	Windows 10 IoT Enterprise	WLAN	Support
BT	Support	WWAN	4G/LTE (Optional)
GNSS	GPS/AGPS	Sensors	G-Sensor, Light Sensor ,Temp Sensor
Camera			
Front Camera	2MP Camera		
Environment			
Operating Humidity	5% to 90% RH, Non-Condensing	Operating Temperature	-30°C to 50°C
Storage Temperature	-30°C to 60°C	Shock	MIL-STD-810H Method 516.8 Procedure I
Vibration	MIL-STD-810H Method 514.8 Procedure I	IP rating	IP65 Certified, Waterproof and Dustproof
Impact	Support EN62262 IK07 Rating	ESD	Compliant with EN 61000-4-2, enhanced ESD to ±12kV direct & ±15kV air
Certification			
Certification	CE, FCC, UL60950-1, EN60950-1, PTCRB, FCC (Electromagnetic Emissions), IC (ICES-003)		
Control			
Button	1 x Power Button, 5 x Function Button (Programmable Function Key Configured by Winset)		
IO Ports			

USB Port	1 x USB Type-C(Tablet) 1 x DB9 Connector for 2 x USB 2.0 Port(Docking)
SD Card Slot	1 x Micro SD Card Slot(Tablet)
Audio	2 x Speaker(Docking) 1 x CANBus or 1 x Audio(Docking)
Indicator	4 x LED Indicator (WLAN, UPS battery, HDD, Heater)

Serial Port	2 x COM Port(Docking)
SIM Card Slot	
LAN	1 x Gigabit LAN port(Docking)
CANBUS	1 x CANBus / Audio

Mechanical

Dimension	Tablet: 307 x 225 x 41 mm (12.08x 8.85 x 1.61 inches) Docking: 202 x 245 x 52 mm (7.9 x 9.6 x 2.04 inches)	Weight	Tablet 1.7 kg (3.75 lbs) Docking 1.6 kg (3.53 lbs)
Mounting	RAM Mount/ VESA Mount	Cooling System	Fanless Design
Docking Housing	Aluminum Alloy Housing		

Security Function

SOTI MobiControl	SOTI MobiControl Compliance
-------------------------	-----------------------------

Accessory

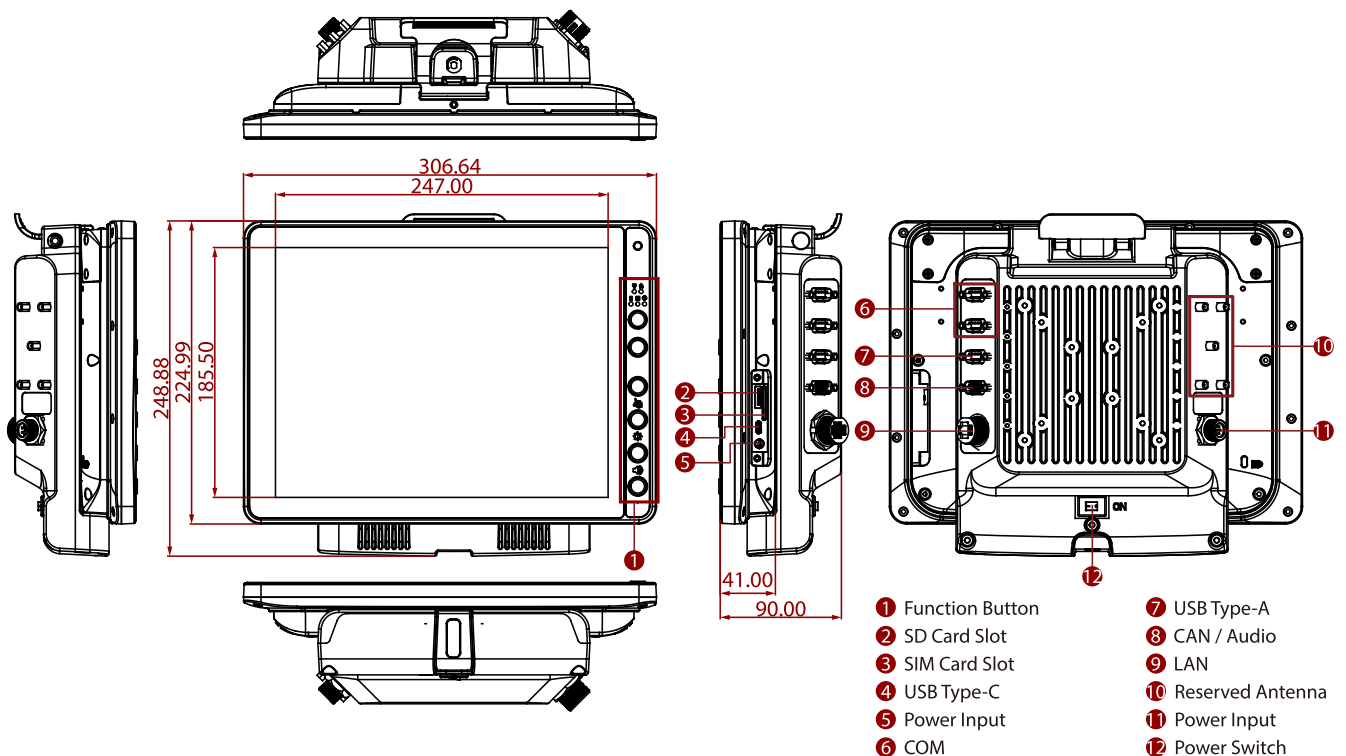
Accessory	5M Power Cable with Fuse Kit 0.3M USB Cable 0.15M Power Converter Cable DC Jack Power Cable 84W Adapter with power cable Cable Clamp Kit Wi-Fi Antenna x 2 Quick Start Guide External Antenna Fixing Bracket Dock + Latch Locking Key Stylus Kit + Screw
------------------	--

Optional Accessory	1.8M RS232 Cable 0.3M Audio Cable 1.8M CAN BUS Cable 1.8M CAN BUS Open Wire Cable 2M IP65 LAN Cable GPS & LTE 2M Combo Antenna(VM240) GPS & LTE 5M Combo Antenna (VM9C) Magnetic Combo Antenna (VM10S) WWAN Antenna
---------------------------	---

Power

Battery	7.6V UPS Battery (2S1P) Minimum 30 minutes	Power Rating	Docking: 10V-60V with ignition control Tablet: 12V DC In
----------------	---	---------------------	---

DIMENSIONS UNIT:MM



NOTE

1. Total usable memory will be less dependent upon actual system configuration.
2. SOTI is available upon request.
3. Length measurements do not include protrusions. Weight varies with options.
4. Measured at dimming LCD brightness. Varies depending on the usage conditions, or when an external device is attached.
5. Accessories may vary depending on your configuration.
6. This is a simplified drawing and some components are not marked in detail.
7. The product shown in this datasheet is a standard model. For diagrams that contain customized or optional I/O, please contact the Winmate Sales Team for more information.

Nano SIM Card Slot(Tablet) 1 x Dual-