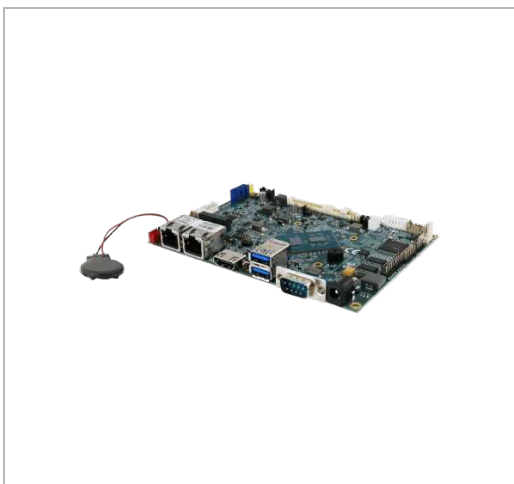


IE32

Intel® Celeron® N6211 x86 Embedded Motherboard



KEY FEATURES

- 3.5" Form Factor (146 mm x 102 mm)
- 1 x DDR4 SO-DIMM 3200 MHz, max. 16GB
- 2 x Gigabit Ethernet
- Intel® SoC Integrate
- Intel® Celeron® Elkhart Lake N6211 Processor
- Supports 1 x SATA III, 3 x COM, 2 x USB 3.2 Gen 2x1, 4 x USB 2.0

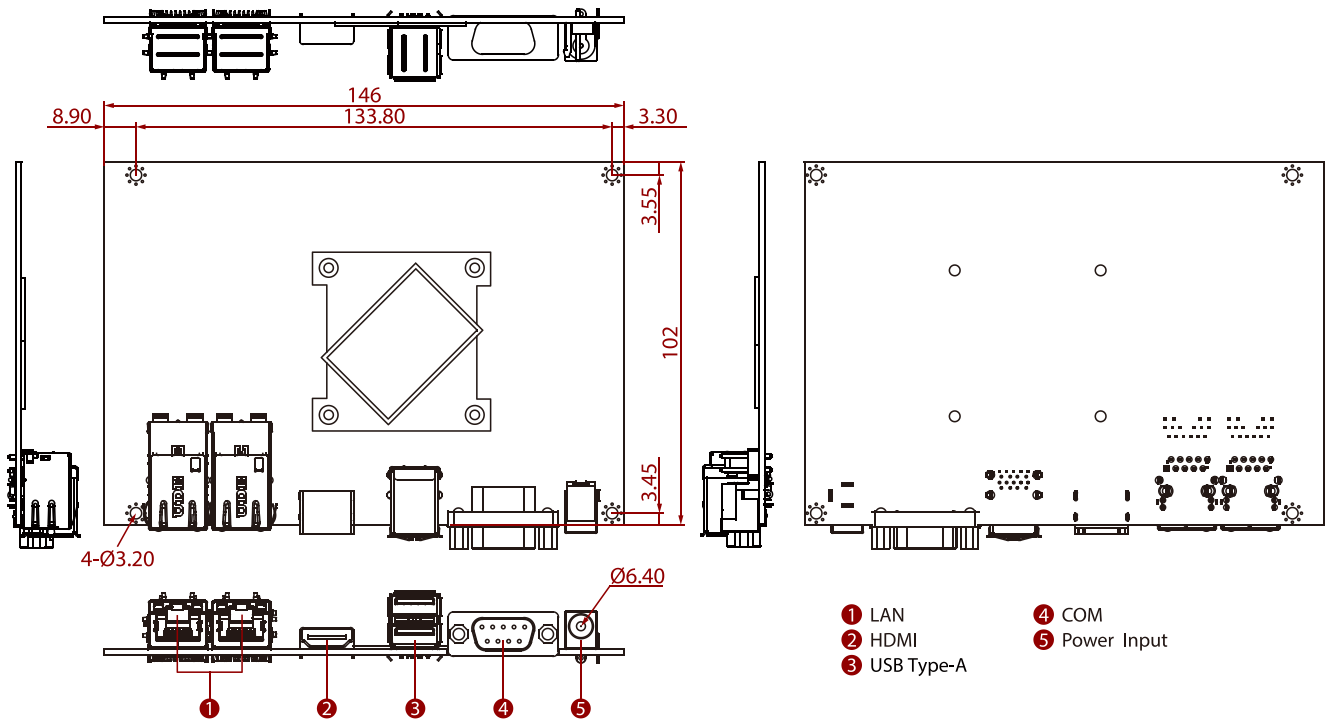


SPECIFICATIONS

System Specification			
Processor	Intel® Celeron® N6211 (up to 2.6GHz) Intel® Celeron® N6210 (up to 3.0GHz) (Optional)	Memory	1 x SO-DIMM, DDR4 3200 MHz, 4GB 8GB (Optional) 16GB (Optional)
Storage	1 x M.2 2242 B-key SSD 128GB M.2 2242 B-key SSD up to 512GB (Optional) 1 x SATA III for 2.5" SSD/HDD up to 1TB (Optional)	Ethernet controller	2 x Intel® Ethernet Controller
Security	TPM 2.0	Operating System	Windows 11 IoT Enterprise (64 bit) (Optional) Windows 11 Pro 64 bit (Optional) Windows 10 IoT Enterprise (64 bit) (Optional) Linux Ubuntu 22.04 (Optional)
IO Ports			
Power Input	1 x 12V DC, 2.5φ DC jack	USB Port	2 x USB3.2 Gen2x1 (Type-A)
Serial Port	1 x RS232/422/485 (Default RS232)	Video	1 x HDMI 2.0 (Optional)
LAN	2 x Giga LAN RJ45 Connector		
Internal IO Ports			
Power input	1 x 2pin(1x2) for 12V DC in	Power output	1 x 2pin(1x2) blue wafer for 3.3V DC out 1 x 2pin(1x2) red wafer for 5V DC out 1 x 2pin(1x2) yellow wafer for 12V DC out
USB	2 x 8pin(2x4) for 4 x USB 2.0	Serial port	2 x 10pin(2x5) for RS232
Display	1 x 40pin DF13 connector for LVDS 1 x 30pin DF13 connector for eDP (Optional)	Backlight	1 x 7pin(1x7) for panel backlight
SATA	1 x SATA III 1 x 8pin(2x4) for SATA power	DIDO	1 x 14pin(2x7) for Digital input/output
VR	1 x 3pin(1x3) for Digital panel backlight brightness control 1 x 3pin(1x3) VR/Software brightness switch jumper 1 x 3pin(1x3) PWM/DC brightness switch jumper 1 x 3pin(1x3) 3.3V/5V PWM Level switch jumper	Fan	1 x 3pin(1x3) for CPU Fan
OSD	1 x 10pin(2x5) for OSD control	Speaker	2 x 2pin(1x2) for Speaker
Backup battery	1 x 2pin(1x2) for RTC battery	Audio	1 x 12pin(2x6) for Line in/Line out/ Mic in
Certification			
Certification	CE, FCC		
Mechanical			

Dimension	146 x 102 mm		
Environment			
Operating Humidity	10% to 95% RH, Non-Condensing	Operating Temperature	0°C to 60°C
Storage Temperature	-40°C to 70°C		
Accessory			
Optional Accessory	Driver CD & Manual (Optional) Adapter (Optional)		
Power			
Power Rating	12V DC	Adapter	12V 50W

DIMENSIONS UNIT:MM



NOTE

1. This is a simplified drawing and some components are not marked in detail.
2. Please contact our sales representative if you need further product information.
3. All specifications are subject to change without prior notice.
4. The product shown in this datasheet is a standard model. For diagrams that contain customized or optional I/O, please contact the Winmate Sales Team for more information.