

# IT32

## Intel® Core™ i5 x86 Embedded Motherboard



### KEY FEATURES

- 3.5" Form Factor (146mm x 102mm), x86 Embedded motherboard
- Intel® 11th Generation Core™ i5 processor
- Support UHD 4 lanes eDP Panel
- 1 x SO-DIMM, DDR4 3200 MHz (Max. 32GB)
- Integrated Dual Gigabit Ethernet
- 1 x M.2 Key M Slot for M.2 2242 SATA III SSD Optional M.2 2280 NVME SSD
- 12 V Single Voltage Power Input



### SPECIFICATIONS

System Specification			
<b>Processor</b>	Intel Core i5-1135G7 2.4GHz (up to 4.2GHz)	<b>Memory</b>	1 x SO-DIMM, DDR4 3200 MHz, 4GB 8GB (Optional) 16GB (Optional) 32GB (Optional)
<b>Storage</b>	1 x M.2 M-Key 2242 SATA SSD or 1 x M.2 M-Key 2280 NVMe SSD 128GB 256GB (Optional) 512GB (Optional) 1TB(for NVMe) (Optional) 2TB(for NVMe) (Optional) 4TB(for NVMe) (Optional) 1 x SATA III , up to 2TB (Optional)	<b>Ethernet controller</b>	2 x Intel® Ethernet Controller
<b>Security</b>	TPM 2.0	<b>Operating System</b>	Windows 11 IoT Enterprise (64 bit) (Optional) Windows 11 Pro 64 bit (Optional) Windows 10 IoT Enterprise (64 bit) (Optional) Linux Ubuntu 22.04 (Optional)
IO Ports			
<b>Power Input</b>	1 x 12V DC, 2.5φ DC jack	<b>USB Port</b>	2 x USB3.2 Gen2x1 (Type-A)
<b>Serial Port</b>	1 x RS232/422/485 (Default RS232)	<b>Video</b>	1 x HDMI 2.0 (Optional)
<b>Expansion Port</b>	1 x M.2 2242/2280 Key M slot for SATA/NVMe SSD 1 x M.2 2230 Key E slot for WiFi (Optional)	<b>LAN</b>	2 x Giga LAN RJ45 Connector
Internal IO Ports			
<b>Power input</b>	1 x 6pin(1x6) for 12V DC in	<b>Power output</b>	1 x 2pin(1x2) blue wafer for 3.3V DC out 1 x 2pin(1x2) red wafer for 5V DC out 1 x 2pin(1x2) yellow wafer for 12V DC out
<b>USB</b>	2 x 8pin(2x4) for 4 x USB 2.0	<b>Serial port</b>	3 x 10pin(2x5) for RS232
<b>Display</b>	1 x 40pin DF13 connector for LVDS 1 x 30pin DF13 connector for eDP (Optional)	<b>Backlight</b>	1 x 7pin(1x7) for panel backlight
<b>SATA</b>	1 x SATA III 1 x 8pin(2x4) for SATA power	<b>DIDO</b>	1 x 14pin(2x7) for Digital input/output
<b>VR</b>	1 x 3pin(1x3) for Digital panel backlight brightness control 1 x 3pin(1x3) VR/Software brightness switch jumper 1 x 3pin(1x3) PWM/DC brightness switch jumper 1 x 3pin(1x3) 3.3V/5V PWM Level switch jumper	<b>Fan</b>	1 x 3pin(1x3) for CPU Fan
<b>OSD</b>	1 x 10pin(2x5) for OSD control	<b>Speaker</b>	2 x 2pin(1x2) for Speaker

**Backup battery** 1 x 2pin(1x2) for RTC battery **Audio** 1 x 12pin(2x6) for Line in/Line out/ Mic in

**Certification**

**Certification** CE, FCC

**Mechanical**

**Dimension** 146 x 102 mm

**Environment**

**Operating Humidity** 10% to 95% RH, Non-Condensing

**Operating Temperature** 0°C to 60°C

**Storage Temperature** -40°C to 70°C

**Accessory**

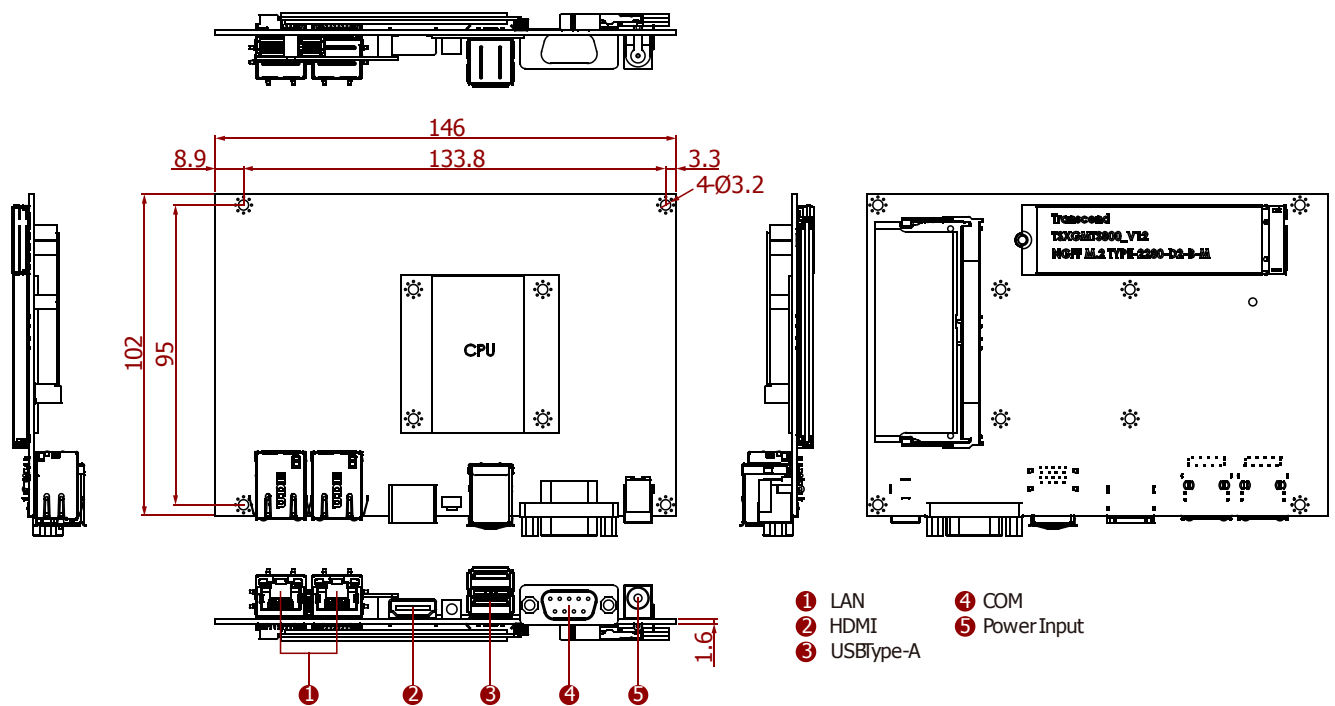
**Optional Accessory** Driver CD & Manual (Optional)  
Adapter (Optional)

**Power**

**Power Rating** 12V DC

**Adapter** 12V 84W

**DIMENSIONS** UNIT:MM



**NOTE**

- 1.This is a simplified drawing and some components are not marked in detail.
- 2.Please contact our sales representative if you need further product information.
- 3.All specifications are subject to change without prior notice.
- 4.The product shown in this datasheet is a standard model.For diagrams that contain customized or optional I/ O, please contact the Winmate Sales Team for more information.