

IV32

Intel® Core™ i7-3517UE x86 Embedded Board



KEY FEATURES

- 3.5" Form Factor (146mm x 102mm)
- Intel® Celeron® 1037U 1.8GHz
- Intel® Express Chipset HM76
- Integrated VGA, Dual-channel 18/24-bit LVDS, HDMI
- 1 x DDR3 SO-DIMM 1333/1600 MHz, max. 8GB
- Integrated Intel® 82579-LM + WG82574L Ethernet
- Supports 2 x SATA III, 4 x COM, 3 x USB 3.0, 4 x USB 2.0 12 x GPIO, 1 x 1394b, 1 x Mini PCIe slot



SPECIFICATIONS

System Specification			
Processor	Intel Core i7-3517UE 1.7GHz (up to 2.8GHz)	Chipset	Intel® HM76
Memory	1 x SO-DIMM, DDR3L 1600 MHz, 4GB 8GB (Optional)	Storage	1 x mSATA SSD 128GB mSATA SSD up to 512GB (Optional)
Ethernet controller	Intel® 82574L Gigabit Ethernet Controller + Intel® 82579LM Gigabit Ethernet PHY	Security	TPM 1.2
Operating System	Windows 7 Embedded Systems (Optional) Windows 10 IoT Enterprise (64 bit) (Optional) Linux Ubuntu 18.04 (Optional)		
IO Ports			
Power Input	1 x 12V DC, 2.5φ DC jack	USB Port	2 x USB3.2 Gen1x1 (Type-A)
Serial Port	1 x RS232/422/485 (Default RS232)	Video	1 x HDMI 1.4 (Optional)
LAN	2 x Giga LAN RJ45 Connector		
Internal IO Ports			
Power input	1 x 2pin(1x2) for 12V DC in	Power output	1 x 2pin(1x2) blue wafer for 3.3V DC out 1 x 2pin(1x2) red wafer for 5V DC out 1 x 2pin(1x2) yellow wafer for 12V DC out
USB	2 x 8pin(2x4) for 4 x USB 2.0 1 x 10pin(2x5) for 1 x USB 3.2 Gen1x1	Serial port	3 x 10pin(2x5) for RS232
Display	1 x 40pin DF13 connector for LVDS 1 x 20pin DF13 connector for HDMI/DVI (Optional) 1 x 10pin(2x5) for VGA (Optional)	Backlight	1 x 7pin(1x7) for panel backlight
SATA	1 x SATA III 1 x SATA II 1 x 8pin(2x4) for SATA power	DIDO	1 x 14pin(2x7) for Digital input/output
VR	1 x 3pin(1x3) for Digital panel backlight brightness control 1 x 5pin(1x5) VRD debug port	Fan	1 x 3pin(1x3) for CPU Fan
OSD	1 x 10pin(2x5) for OSD control	Speaker	2 x 2pin(1x2) for Speaker
Backup battery	1 x 2pin(1x2) for RTC battery	Audio	1 x 12pin(2x6) for Line in/Line out/ Mic in
BIOS debug	1 x 10pin(2x5) for LPC debug		
Certification			
Certification	CE, FCC		
Mechanical			

Dimension 146 x 102 mm

Environment

Operating Humidity 10% to 95% RH, Non-Condensing

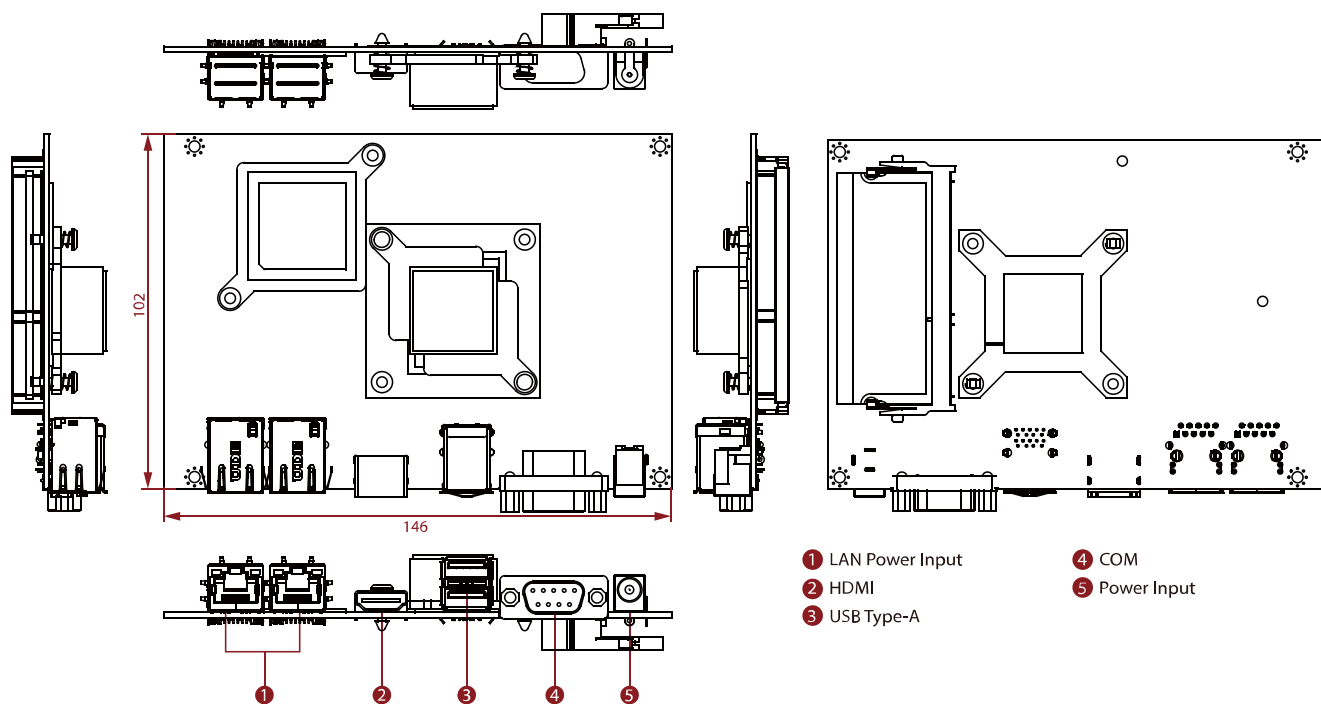
Operating Temperature 0°C to 60°C

Storage Temperature -40°C to 70°C

Accessory

Optional Accessory Driver CD & Manual (Optional)
Adapter (Optional)

DIMENSIONS UNIT:MM



NOTE

1. This is a simplified drawing and some components are not marked in detail.
2. Please contact our sales representative if you need further product information.
3. All specifications are subject to change without prior notice.
4. The product shown in this datasheet is a standard model. For diagrams that contain customized or optional I/O, please contact the Winmate Sales Team for more information.