

# IW32

## Intel® Core™ i5-8265U x86 Embedded Motherboard



### KEY FEATURES

- 3.5" Form Factor (146mm x 102mm), x86 Embedded motherboard
- Intel® Core™ i5-8265U Processor
- One DDR4-2400 SO-DIMM RAM
- Intel® Gigabit-LAN Controller I210AT + PHY I219LM
- 2 x SATA III, 4 x COM, 2 x USB 3.2 Gen1.4 x USB 2.0
- 1 x M.2 Key M Slot for M.2 2242 SATA III SSD Optional M.2 2280 NVME SSD
- 1 x M.2 2230 Key E Slot (for Wireless Module)
- 1 x HDMI(Optional)

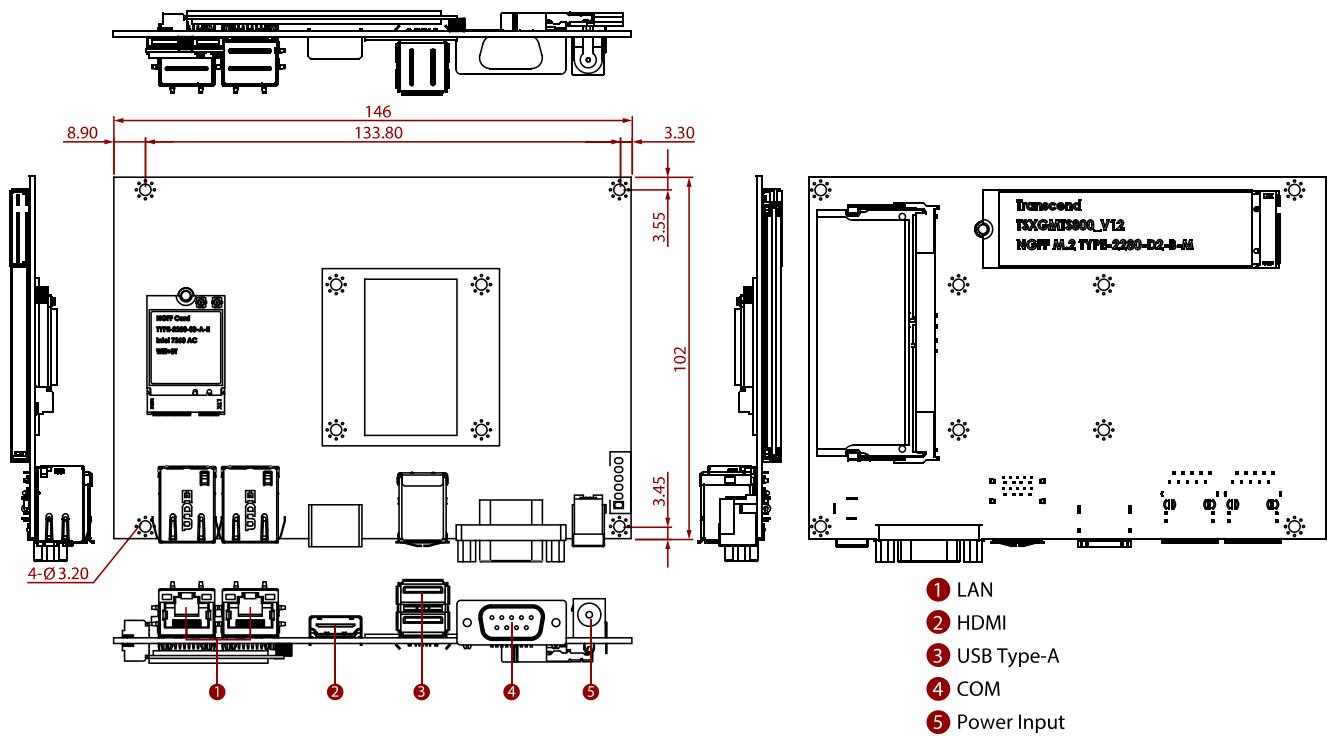


### SPECIFICATIONS

System Specification			
<b>Processor</b>	Intel Core i5 -8265U 1.6GHz (up to 3.9GHz)	<b>Memory</b>	1 x SO-DIMM, DDR4 2400 MHz, 4GB 8GB (Optional) 16GB (Optional) 32GB (Optional)
<b>Storage</b>	1 x M.2 2242 B-key SSD 128GB M.2 2242 B-key SSD up to 512GB (Optional) M.2 2280 M-Key NVME SSD, up to 4TB (Optional)	<b>Ethernet controller</b>	2 x Intel® Ethernet Controller
<b>Security</b>	TPM 2.0	<b>Operating System</b>	Windows 10 IoT Enterprise (64 bit) (Optional) Linux Ubuntu 20.04 (Optional)
IO Ports			
<b>Power Input</b>	1 x 12V DC, 2.5φ DC jack	<b>USB Port</b>	2 x USB3.2 Gen1x1 (Type-A)
<b>Serial Port</b>	1 x RS232/422/485 (Default RS232)	<b>Video</b>	1 x HDMI 1.4 (Optional)
<b>Expansion Port</b>	1 x M.2 2242/2280 Key M slot for SATA/NVMe SSD 1 x M.2 2230 Key E slot for WiFi (Optional)	<b>LAN</b>	2 x Giga LAN RJ45 Connector
Internal IO Ports			
<b>Power input</b>	1 x 2pin(1x2) for 12V DC in 1 x 6pin(1x6) for 12V DC in	<b>Power output</b>	1 x 2pin(1x2) blue wafer for 3.3V DC out 1 x 2pin(1x2) red wafer for 5V DC out 1 x 2pin(1x2) yellow wafer for 12V DC out
<b>USB</b>	2 x 8pin(2x4) for 4 x USB 2.0	<b>Serial port</b>	3 x 10pin(2x5) for RS232
<b>Display</b>	1 x 40pin DF13 connector for LVDS 1 x 30pin DF13 connector for eDP (Optional)	<b>Backlight</b>	1 x 7pin(1x7) for panel backlight
<b>SATA</b>	2 x SATA III 1 x 8pin(2x4) for SATA power	<b>DIDO</b>	1 x 14pin(2x7) for Digital input/output
<b>VR</b>	1 x 3pin(1x3) for Digital panel backlight brightness control 1 x 3pin(1x3) VR/Software brightness switch jumper 1 x 3pin(1x3) PWM/DC brightness switch jumper 1 x 3pin(1x3) 3.3V/5V PWM Level switch jumper	<b>Fan</b>	1 x 3pin(1x3) for CPU Fan
<b>OSD</b>	1 x 10pin(2x5) for OSD control	<b>Speaker</b>	2 x 2pin(1x2) for Speaker
<b>Backup battery</b>	1 x 2pin(1x2) for RTC battery	<b>Audio</b>	1 x 12pin(2x6) for Line in/Line out/ Mic in
Certification			
<b>Certification</b>	CE, FCC		

<b>Mechanical</b>			
Dimension	146 x 102 mm		
<b>Environment</b>			
Operating Humidity	10% to 95% RH, Non-Condensing	Operating Temperature	0°C to 60°C
Storage Temperature	-40°C to 70°C		
<b>Accessory</b>			
Optional Accessory	Driver CD & Manual (Optional) Adapter (Optional)		
<b>Power</b>			
Power Rating	12V DC	Adapter	12V 84W

## DIMENSIONS UNIT:MM



## NOTE

1. This is a simplified drawing and some components are not marked in detail.
2. Please contact our sales representative if you need further product information.
3. All specifications are subject to change without prior notice.
4. The product shown in this datasheet is a standard model. For diagrams that contain customized or optional I/O, please contact the Winmate Sales Team for more information.