

R06L200-PMA1

6.5" Panel Mount Display



KEY FEATURES

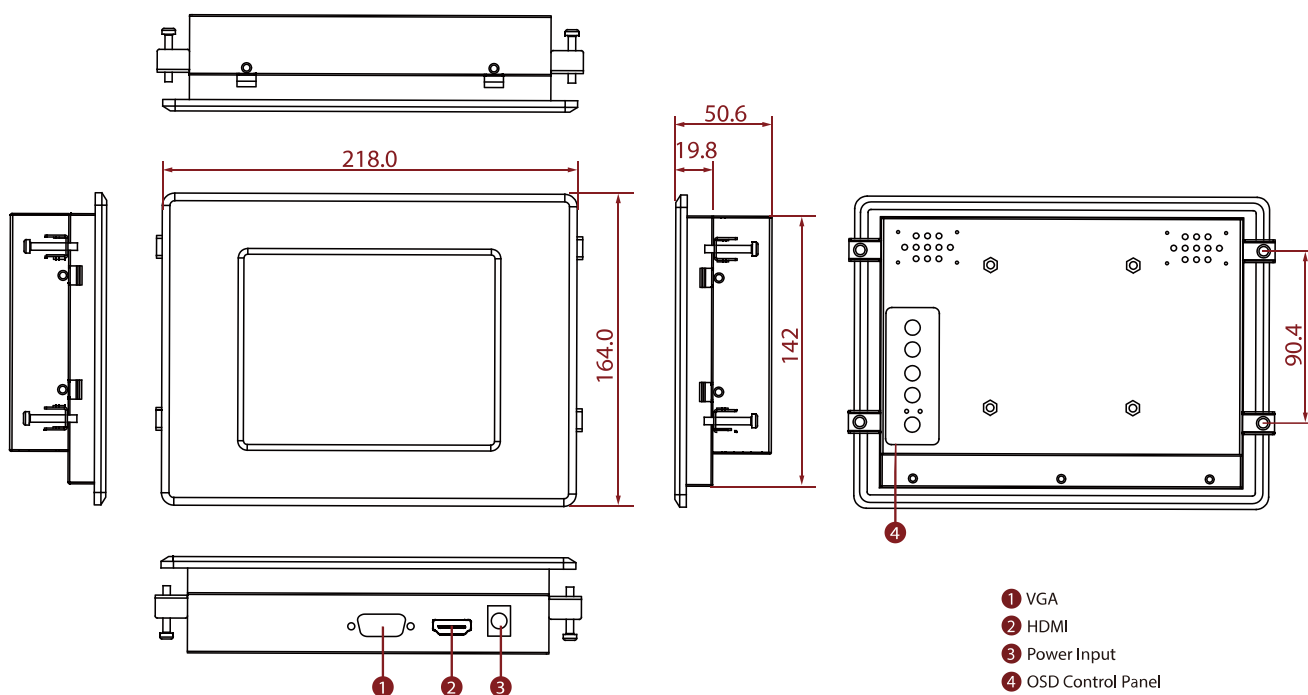
- 6.5", 640 x 480
- VGA and HDMI input
- Panel mount
- VESA mount



SPECIFICATIONS

Display			
Resolution	640x480	Size	6.5 inches
Contrast Ratio	600:1	Panel Brightness	700 nits
Display Color	16.2M Colors	View Angles	80,80,70,70
Active Area	132.48x99.36 mm	Touch / Glass	Resistive Touch Screen Protection Glass w/o Touch Function (Optional)
Environment			
Operating Humidity	10% to 90% (non-condensing)	Operating Temperature	0~50°C
Storage Temperature	-10~60°C		
Certification			
Certification	CE, FCC		
IO Ports			
USB Port	1 x USB for Touch Screen	Video	1 x VGA 1 x HDMI (Optional) 1 x DVI (Optional)
Audio	Audio line in (3.5mm) (Optional) 2 x Speaker (Optional)		
Mechanical			
Dimension	218 x 164 x 50 mm	Mounting	VESA Mount/ Panel Mount
Enclosure	Metal Housing with Aluminum Bezel	Cooling System	Fanless Design
Cut out	191 x 143mm		
Accessory			
Accessory	1 x VGA cable 1 x HDMI cable 100~240V AC to DC Adapter Power Cord Manual VESA screws(Varies by product)	Optional Accessory	Remote Controller (Optional,Varies by product)
Power			
Power Rating	12V DC input		
Control			

DIMENSIONS UNIT:MM



NOTE

1. This is a simplified drawing and some components are not marked in detail.
2. Please contact our sales representative if you need further product information.
3. All specifications are subject to change without prior notice.
4. The product shown in this datasheet is a standard model. For diagrams that contain customized or optional I/O, please contact the Winmate Sales Team for more information.