

# R10L210-MRM2

## 10.4" Marine Display



### KEY FEATURES

- 10.4" 800 x 600 resolution Marine Display
- Resistive touch screen (Optional protection glass w/o touch function)
- IP66 aluminum housing with powder coating design (IP54 rear)
- 24 V DC power supply with terminal block (Default, isolation resistance)
- Picture-in-picture (PIP) function and multi-video inputs
- Ease-of-use front panel OSD control
- Enhanced shock and vibration resistance
- Certified DNVGL-CG-0339, IEC60945 4th, IACS E10
- Dimming knob to control backlight brightness from nearly 0% to 100%

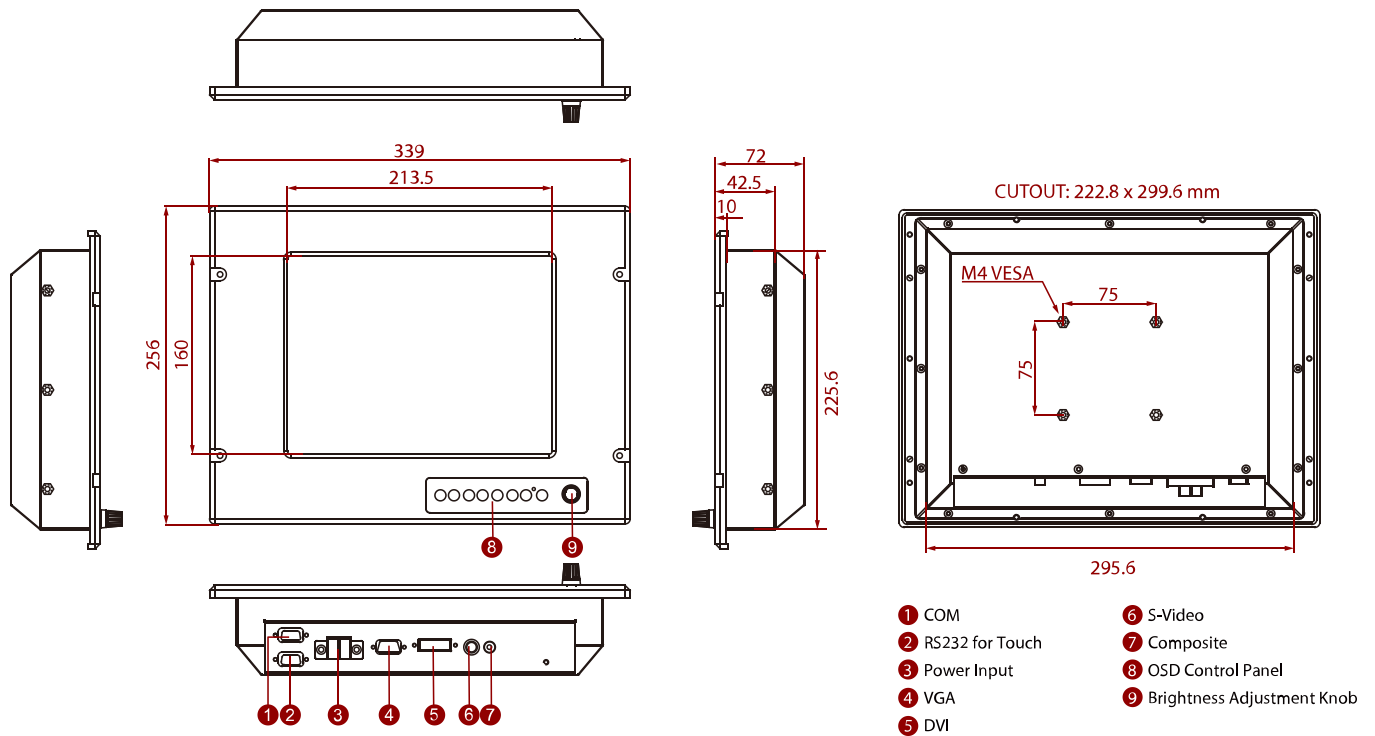


### SPECIFICATIONS

Display			
<b>Resolution</b>	800x600	<b>Size</b>	10.4 inches
<b>Contrast Ratio</b>	400:1	<b>Panel Brightness</b>	600 nits
<b>Display Color</b>	262K Colors	<b>View Angles</b>	70,70,70,60
<b>Active Area</b>	211.2x158.4 mm	<b>Touch / Glass</b>	Resistive Touch Screen AR Glass (Optional)
Environment			
<b>Operating Humidity</b>	5% to 95%	<b>Operating Temperature</b>	-15~55°C
<b>Shock</b>	15G, 11ms duration	<b>Vibration</b>	0.7g@DNVGL CG-0339 (Class A)
<b>IP rating</b>	IP66 (Front Side)		
Certification			
<b>Certification</b>	DNVGL-CG-0339, IEC60945 4th, IACS E10, CE, FCC		
IO Ports			
<b>Serial Port</b>	1 x RS232 for Remote Control 1 x RS232/USB for Touch Screen	<b>Video</b>	1 x VGA 1 x DVI-D 1 x Composite 1 x S-Video
Mechanical			
<b>Dimension</b>	339 x 256 x 72 mm	<b>Weight</b>	3.7 kg
<b>Mounting</b>	VESA Mount/ Panel Mount	<b>Enclosure</b>	Metal Housing with Aluminum Bezel
<b>Cooling System</b>	Fanless Design	<b>Cut out</b>	300 x 232 mm
Power			
<b>Power Rating</b>	24V DC-in with Isolation (Approval by Certificate) 9~36V DC Input Acceptable	<b>Consumption</b>	25W (Typical)
Accessory			
<b>Accessory</b>	1 x User Manual. 1 x CD for Touchscreen Driver Tools.		

- 1 x DVI Cable.
- 1 x VGA Cable.
- 1 x RS232 Serial Cable.
- 1 x S-Video Cable.
- 1 x Composite Cable.

**DIMENSIONS** UNIT:MM



**NOTE**

1. This is a simplified drawing and some components are not marked in detail.
2. Please contact our sales representative if you need further product information.
3. All specifications are subject to change without prior notice.
4. The product shown in this datasheet is a standard model. For diagrams that contain customized or optional I/O, please contact the Winmate Sales Team for more information.