

# R12FA3S-GSM2(HB)

## 12.1" Vehicle-mounted Touch Panel Computer with NXP i.MX6 G-WIN GS-Series



### KEY FEATURES

- 12.1" 1024 x 768 Resolution with Projected Capacitive Multi-Touch (P-CAP)
- NXP i.MX6 Dual Core 1GHz (Optional Quad Core) Full IP65 PCAP Panel PC
- Fanless cooling system and ultra-low power consumption
- Onboard LPDDR3 1GB vehicle-mounted touch panel computer
- Onboard 16GB eMMC Flash
- Full IP65
- 1 x LAN, 1 x RS232, 1 x USB, 1 x USB OTG, 1 x Console, 1 x Micro SD

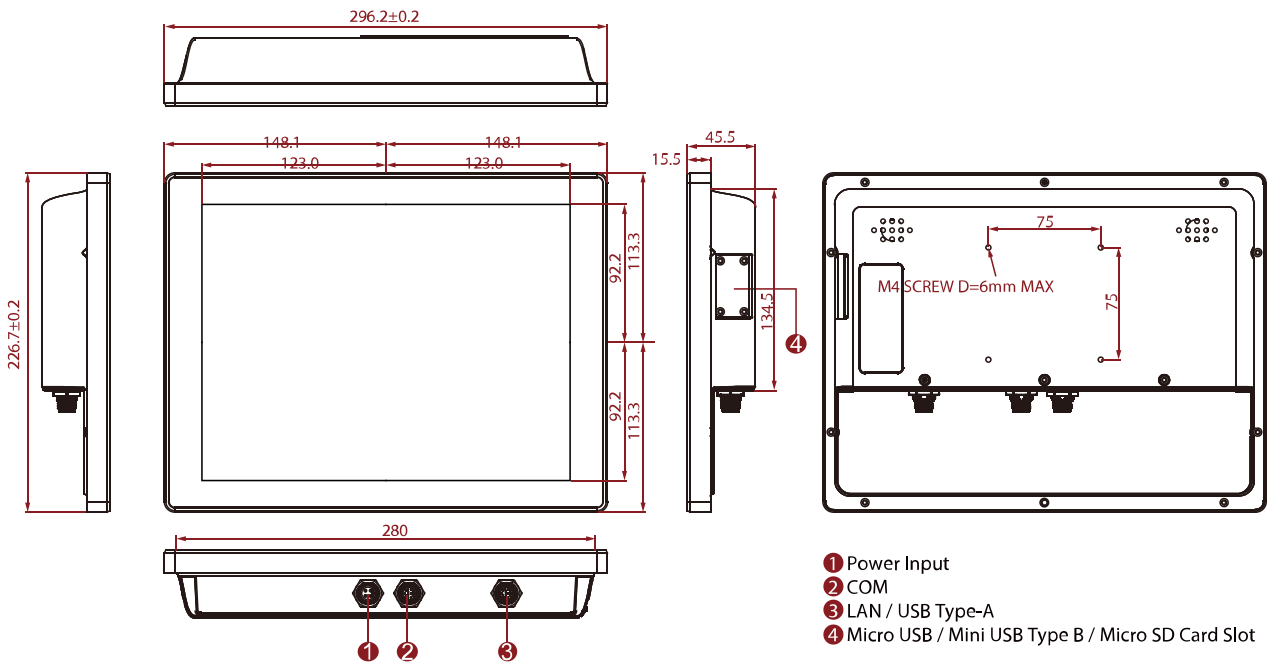


### SPECIFICATIONS

Display			
<b>Touch / Glass</b>	Projected Capacitive Multi Touch Screen Protection Glass (Optional)	<b>Resolution</b>	1024x768
<b>Size</b>	12.1 inches	<b>Contrast Ratio</b>	1000:1
<b>Panel Brightness</b>	500 nits 1000 nits(Optional)	<b>View Angles</b>	89,89,89,89
<b>Active Area</b>	245.76x184.32 mm		
System Specification			
<b>Processor</b>	NXP i.MX6 Dual Core, 1.0GHz	<b>Memory</b>	1GB 2GB (Optional)
<b>Storage</b>	eMMC: Onboard 16 GB eMMC: Onboard 32 GB (Optional)	<b>Operating System</b>	Linux Ubuntu 18.04 (Optional) Android 6.0 (Optional) Debian 7.0 (Optional) Linux 4.1.15 QT 5.5 (Optional)
<b>WLAN</b>	Support (Optional)	<b>BT</b>	Support (Optional)
Environment			
<b>Operating Humidity</b>	10% to 95% RH	<b>Operating Temperature</b>	-15~55°C
<b>Storage Temperature</b>	-30°C to 60°C	<b>Shock</b>	40g for 11ms
<b>Vibration</b>	1.48/1.90/2.24 g rms for XYZ/ 5-500Hz	<b>IP rating</b>	IP65, Dustproof and Waterproof
Certification			
<b>Certification</b>	CE, FCC Compliant with MIL-STD-810F/G for vibration / shock		
IO Ports			
<b>USB Port</b>	1 X USB 2.0 (M12 type)	<b>Serial Port</b>	1 x RS232 (M12 type)(Optional 422/485)
<b>SD Card Slot</b>	1 x Micro SD Card Slot	<b>Audio</b>	2 x Speaker
<b>LAN</b>	1 x LAN-10/100/1000 (M12 type)		
Mechanical			
<b>Dimension</b>	296.2 x 226.7 x 45.5 mm	<b>Mounting</b>	VESA Mount/ Panel Mount
<b>Enclosure</b>	Metal Housing with Aluminum Bezel	<b>Cooling System</b>	Fanless Design

<b>Power</b>	
<b>Power Rating</b>	12V DC (M12 type)
<b>Accessory</b>	
<b>Accessory</b>	Quick Start Guide (Hardcopy) Driver CD & User Manual M12 Power Cable M12 Serial Interface Cable M12 USB/ LAN Cable I/O Protective Cap x 3

**DIMENSIONS** UNIT:MM



**NOTE**

1. This is a simplified drawing and some components are not marked in detail.
2. Please contact our sales representative if you need further product information.
3. All specifications are subject to change without prior notice.
4. The product shown in this datasheet is a standard model. For diagrams that contain customized or optional I/O, please contact the Winmate Sales Team for more information.