

R12IP3S-PCM2AC-POE

12.1" Intel® Pentium® N4200 S Series HMI Panel PC



KEY FEATURES

- 12.1" 1024 x 768 Resolution with Projected Capacitive MultiTouch (PCAP)
- Fanless cooling system and ultralow power consumption
- Support PoE function
- Optional 2MP Front Camera
- Optional HF RFID Reader
- Stylish design for room booking, access control, and room information applications
- Front IP65 Water and Dust Proof



SPECIFICATIONS

| Display | | | |
|----------------------------|---|------------------------------|--|
| Resolution | 1024x768 | Size | 12.1 inches |
| Contrast Ratio | 1000:1 | Panel Brightness | 500.0 nits |
| View Angles | 89,89,89,89 | Active Area | 245.76x184.32 mm |
| Touch / Glass | Projected Capacitive Multi Touch Screen | | |
| System Specification | | | |
| Processor | Intel Pentium N4200 1.1GHz (up to 2.5GHz) | Memory | 1 x SO-DIMM, DDR3L 1600 MHz, 4GB 8GB (Optional) |
| Storage | 1 x M.2 B-Key 2242 SSD 128GB M.2 B-Key 2242 SSD up to 512GB (Optional) | Ethernet controller | 2 x Intel® Ethernet Controller |
| Security | TPM 2.0 | Operating System | Windows 10 IoT Enterprise (64 bit) (Optional) Linux Ubuntu 20.04 (Optional) |
| WLAN | Support (Optional) | BT | Support (Optional) |
| RFID | HF RFID Reader 13.56 MHz (Optional) | Light Bar | Built-in RGB LED Status Light Bar, on both sides |
| Mechanical | | | |
| Dimension | 296 x 227 x 46 mm | Mounting | Panel mount VESA Mount |
| Enclosure | Metal Housing | Cooling System | Fanless design |
| Cut out | 282x207mm | | |
| Environment | | | |
| Operating Humidity | 10% to 90% RH, Non-Condensing | Operating Temperature | 0°C to 50°C |
| Storage Temperature | -10°C to 60°C | IP rating | Front IP65 |
| Certification | | | |
| Certification | CE, FCC | | |
| IO Ports | | | |
| Power Input | 1 x 12V DC, 3-Pin Terminal Block | USB Port | 2 x USB3.2 Gen1x1 (Type-A) |
| Serial Port | 1 x RS232/422/485 (Default RS232) | Video | 1 x Micro HDMI (Optional) |
| Audio | 1 x Speaker | Expansion Port | 2 x M.2 slot(1 for WiFi, 1 for SSD) |
| LAN | 2 x Giga LAN RJ45 Connector, One with PoE(PD, | | |

802.3bt, 40W)(Optional)

Accessory

Accessory 100~240V AC to DC Adapter
Power Cord
Terminal Block to 2.5Ø Female Adapter Cable
Open Wire Cable with terminal block connector
VESAscrews

Optional Accessory VESA Wall Mount (Optional)
VESA Desk Stand (Optional)
Glass Wall Mount Kit (Optional)
Front Side Wall Mount (Optional)
VESA bracket mounting kit (Optional)

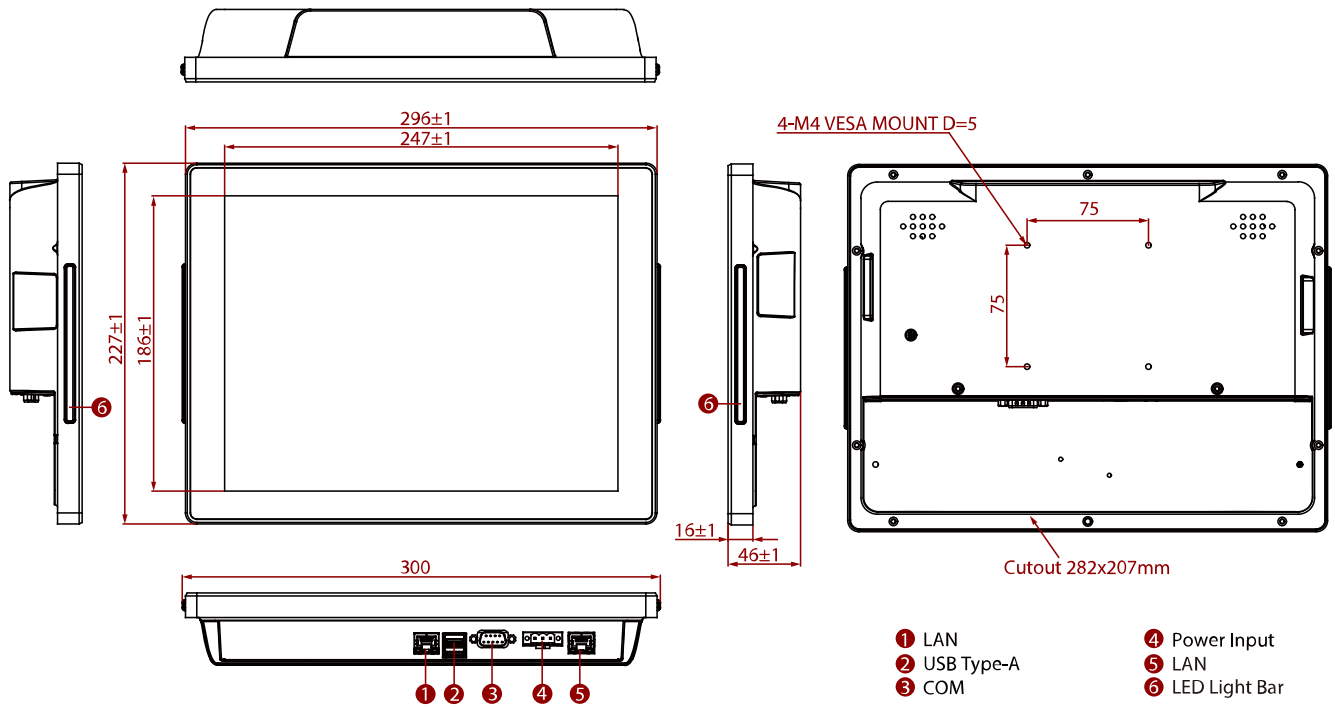
Power

Power Rating 12V DC
10~60V (Optional)

Adapter 12V 50W

POE PoE (PD): follows IEEE 802.3at (25 W)

DIMENSIONS UNIT:MM



NOTE

1. This is a simplified drawing and some components are not marked in detail.
2. The product shown in this datasheet is a standard model. For diagrams that contain customized or optional I/O, please contact the Winmate Sales Team for more information.
3. All specifications are subject to change without prior notice.