

R12ITWS-MHM2

12.1" Intel® Core™ i5-1135G7 M Series HMI Panel PC



KEY FEATURES

- Intel® 11th Generation Tiger Lake UP3 Core™ i5 CPU
- Signature true flat display screen with edge-to-edge design
- Aluminum, anti-corrosion treated housing
- Superior sealing with front IP65 protection against dust and water
- Projected Capacitive Multi-Touch Screen (PCAP)
- Fanless Design
- Support wide range 9-29 V DC input with isolation
- One Quick & Easy Removable 2.5" SSD Bay Slot

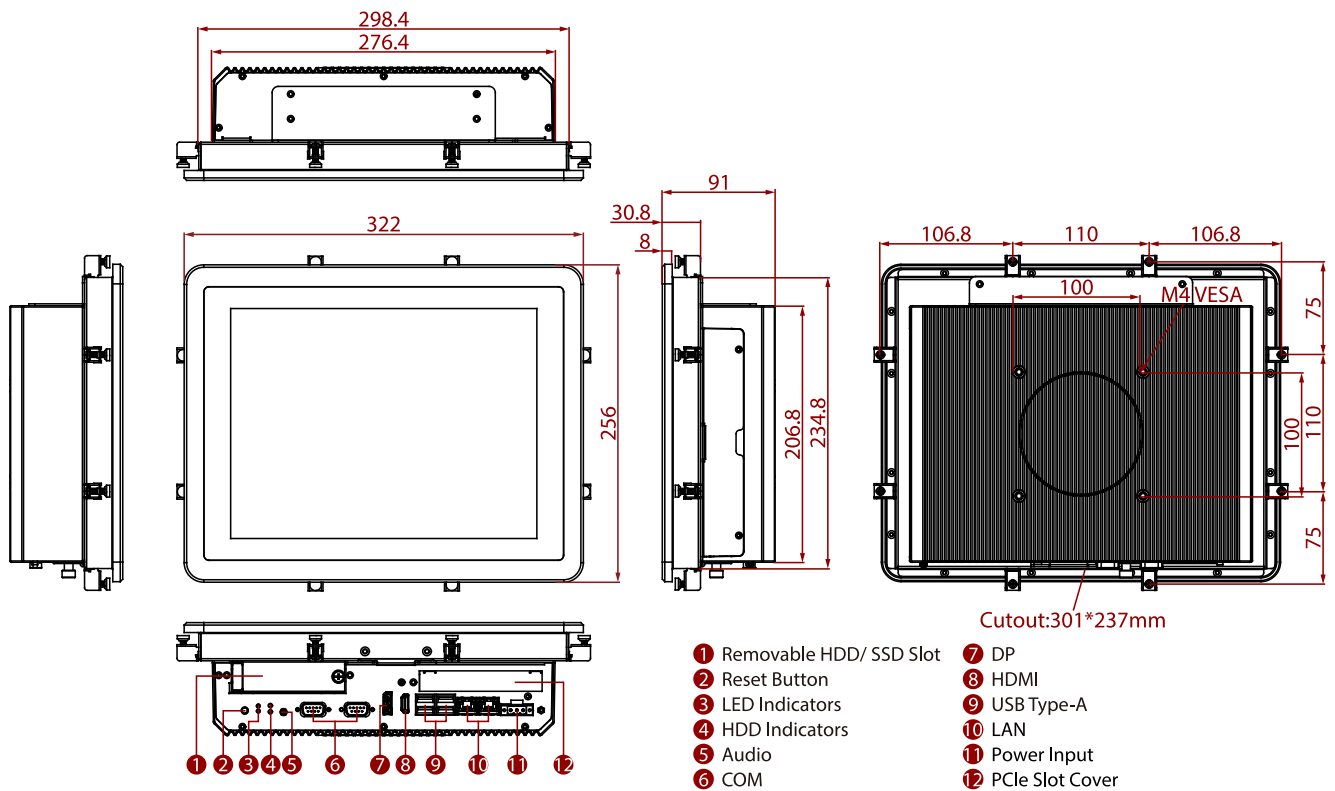


SPECIFICATIONS

Display	
Resolution	1024x768
Contrast Ratio	1000:1
View Angles	89,89,89,89
Touch / Glass	Projected Capacitive Multi Touch Screen
Size	12.1 inches
Panel Brightness	500 nits
Active Area	245.76x184.32 mm
System Specification	
WLAN	Support (Optional)
Expansion Port	Modular Design for easy service in the field
Memory	2 x SO-DIMM, DDR4 3200 MHz, 4GB 8GB (Optional) 16GB (Optional) 32GB (Optional)
Ethernet controller	Intel® Ethernet Controller I211-AT + Intel® Ethernet Connection I219-LM
Operating System	Windows 10 IoT Enterprise (64 bit) (Optional)
BT	Support (Optional)
Processor	Intel Core i5-1135G7 2.4GHz (up to 4.2GHz)
Storage	1 x M.2 2280 NVMe SSD, 128GB up to 512GB 2 x 2.5" Removable 256GB SSD up to 512GB (Optional)
Security	Trusted Platform Module (TPM) 2.0
Mechanical	
Dimension	322 x 256 x 91 mm
Enclosure	Metal Housing
Cut out	301 x 237mm
Mounting	Panel mount VESA Mount
Cooling System	Fanless design
Environment	
Operating Humidity	10% to 90% RH, Non-Condensing
Storage Temperature	-10°C to 60°C
Operating Temperature	0°C to 50°C
IP rating	Front IP65
Certification	
Certification	CE, FCC
IO Ports	
Power Input	1 x 9~29V DC, 3-Pin Terminal Block
Serial Port	2 x RS232/422/485 (Default RS232)
Audio	1 x Audio Combo Connector (Mic in / Line Out)
USB Port	4 x USB 3.2 Gen.1 (Type-A)
Video	1 x DP1.4 1 x HDMI 2.0 (Optional)
Expansion Port	1 x mPCIe slot

			1 x PCIe x16 slot (x4 signal)(module max size:180x121mm) 1 x M.2 2230 Key E slot for WiFi 1 x M.2 2280 Key M slot for NVMe SSD HDD/SSD Bay Slot 1 x LED indicator for storage
LAN	2 x Giga LAN RJ45 Connector	Indicator	
Control			
Button	1 x Power Button with LED Indicator 1 x Reset Button		
Accessory			
Accessory	100~240V AC to DC Adapter Power Cord Open Wire Cable with terminal block connector Mounting clips VESA screws		
Power			
Power Rating	9V~29V DC with protection fuse	Adapter	12V 120W
Consumption	45W~55W		

DIMENSIONS UNIT:MM



NOTE

1. This is a simplified drawing and some components are not marked in detail.
2. The product shown in this datasheet is a standard model. For diagrams that contain customized or optional I/O, please contact the Winmate Sales Team for more information.
3. All specifications are subject to change without prior notice.