

R15IB3S-65EX

15" Intel® Celeron® N2930 ATEX Panel PCs



KEY FEATURES

- 15" 1024 x 768, PCAP touchscreen, ATEX Panel PCs
- Class 1, Division 2 & ATEX Zone 2 & IECEx Zone 2 device certified for hazardous area application
- Stand-alone solution for use in Ex Zone 2 hazardous areas
- Intel® Celeron® Processor N2930
- Fanless design with streamlined enclosure for highly efficient heat dissipation
- Wide operating temperature -20°C to 50°C



SPECIFICATIONS

System Specification			
Processor	Intel Celeron N2930 1.83GHz (up to 2.16GHz)	Memory	1 x SO-DIMM, DDR3L 1600 MHz, 4GB 8GB (Optional)
Storage	1 x mSATA SSD 128GB. mSATA SSD up to 512GB. (Optional)	Ethernet controller	2 x Intel® Ethernet Controller
Operating System	Windows 10 IoT Enterprise (64 bit) (Optional) Linux Ubuntu 20.04 (Optional)		
Display			
Touch / Glass	Projected Capacitive Multi Touch Screen Bonding With Panel	Resolution	1024x768
Size	15.0 inches	Contrast Ratio	2000:1
Panel Brightness	550 nits 1000 nits(Optional)	View Angles	88,88,88,88
Active Area	304.1x228.1 mm		
Mechanical			
Dimension	396 x 310 x 49 mm	Weight	5.7 kg
Mounting	VESA Mount	Enclosure	Stainless Housing
Cooling System	Fanless design		
Environment			
Operating Humidity	10% to 95% RH, Non-Condensing	Operating Temperature	-20°C to 50°C
Storage Temperature	-20°C to 50°C	Shock	MIL-STD-810G Method 516.6 Procedure I (Optional)
Vibration	MIL-STD-810G Method 514.6 Procedure I	IP rating	IP65
Drop	MIL-STD-810G Method 516.6 Procedure IV		
Certification			
Certification	CE, FCC IECEx Zone 2 Certification (applied for) nA IIC T4 Gc -20 °C ≤ Ta ≤ +50 °C ATEX Zone 2 Certification (applied for) II 3 G Ex nA IIC T4 Gc -20 °C ≤ Ta ≤ +50 °C UL Listing Certification (applied for) Class I, Division 2, Groups A, B, C, and D		
IO Ports			

Power Input	1 x 9~36V DC, M12 Type connector	USB Port	1x M12 type connector for 2 x USB2.0
Serial Port	1 x M12 connector for RS232/422/485 (Default RS232)	LAN	1 x M12 type connector for Giga LAN
Indicator	1 x LED Indicator for power 1 x LED Indicator for storage		
Control			

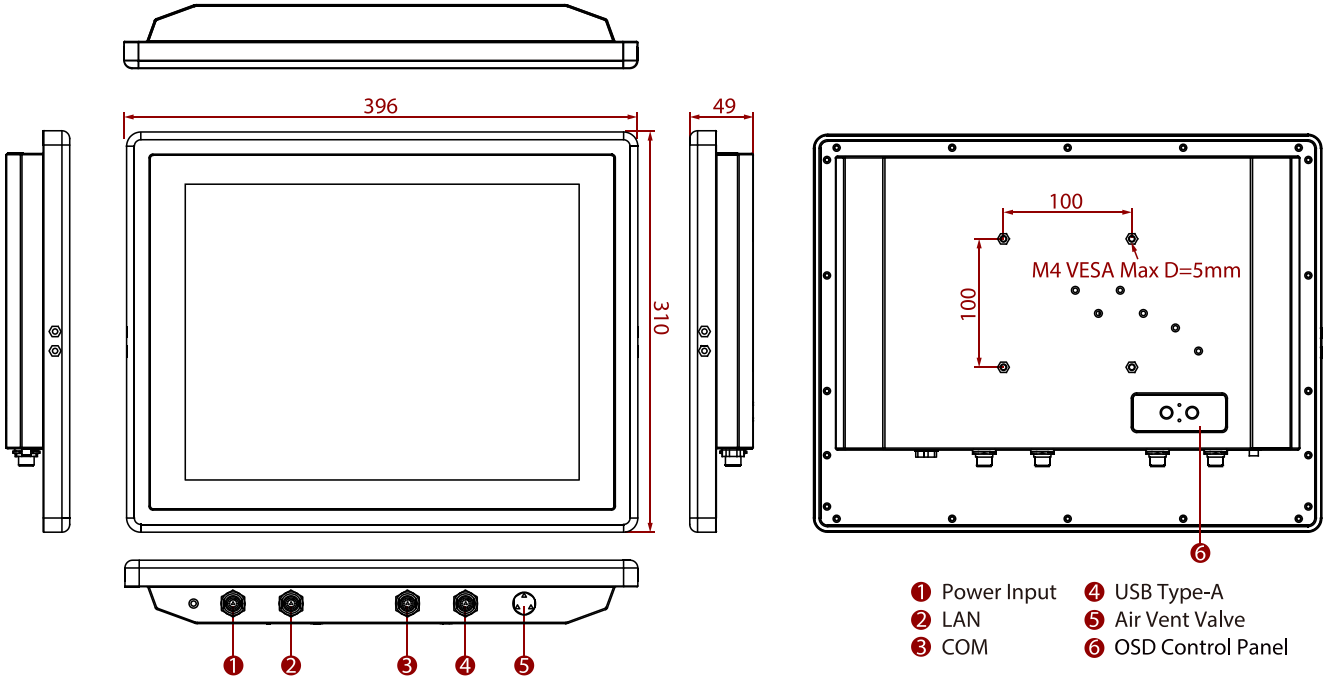
Button	1 x Power Button 1 x Reset Button		
---------------	--------------------------------------	--	--

Accessory

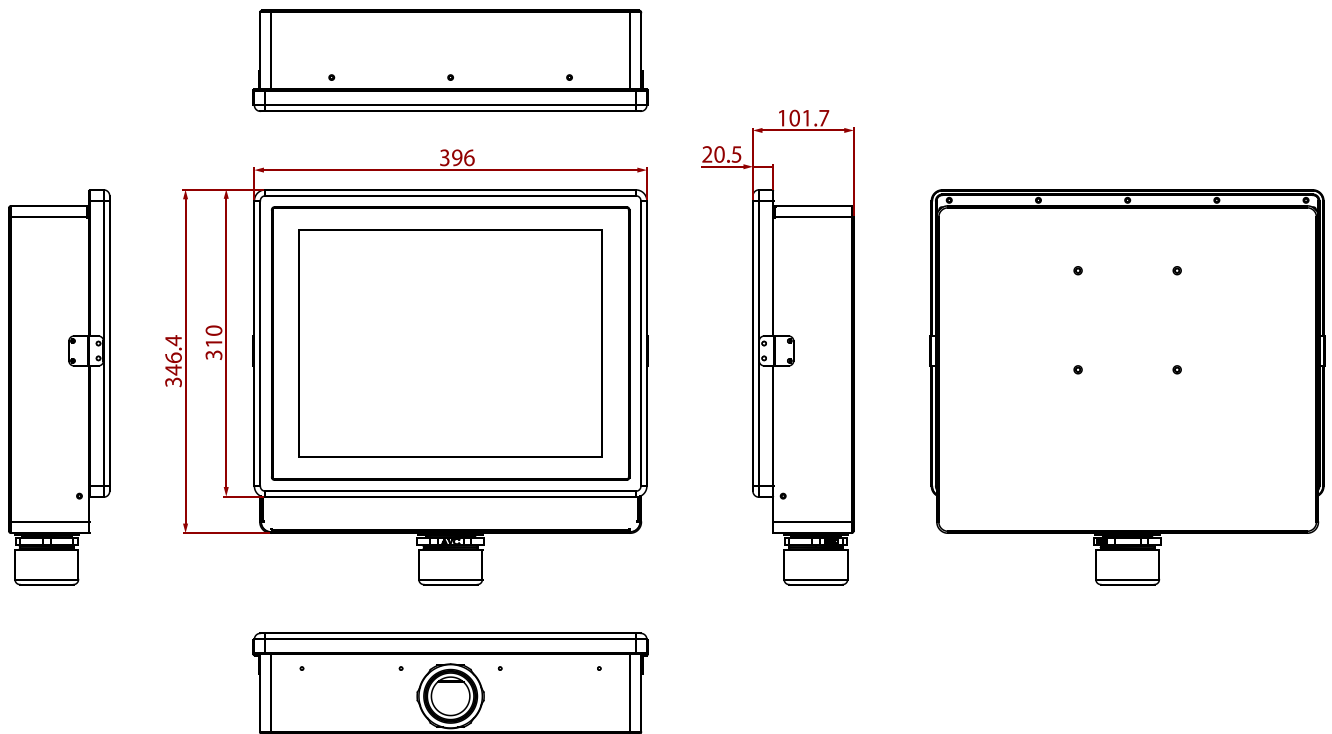
Accessory	100~240V AC to DC Power Adapter with M12 Connector Power Cord M12 Type Power Cable M12 Type RS232 Male Cable M12 Type USB Female Cable M12 Type LAN Cable RJ45 female-female converter USB Adapter (USB type A to type B) VESA screws		
------------------	---	--	--

DIMENSIONS UNIT:MM

w/o Box Cover



With Box Cover



NOTE

1. Total usable memory will be less dependent upon actual system configuration.
2. Length measurements do not include protrusions. Weight varies with options.
3. Measured at maximum backlight and high CPU load.
4. Accessories and Integrated Options may vary depending on your configuration.
5. The product shown in this datasheet is a standard model. For diagrams that contain customized or optional I/O, please contact the Winmate Sales Team for more information.