

R15IB3S-GCC3(HB)

15" Intel® Celeron® N2930 G-WIN GC-Series Front IP65 PCAP Panel PC



KEY FEATURES

- 15" 1024 x 768 with P-CAP touchscreen
- Low power consumption with Intel® Celeron® N2930
- Fanless cooling system and ultra low power consumption
- Front IP65 for protection against water and dust
- A true flat, easy-to-clean front surface with edge-to-edge design
- Plenty of I/O, including 2 x LAN, 1 x COM, 1 x USB 3.0, 1 x USB 2.0, 1 x HDMI



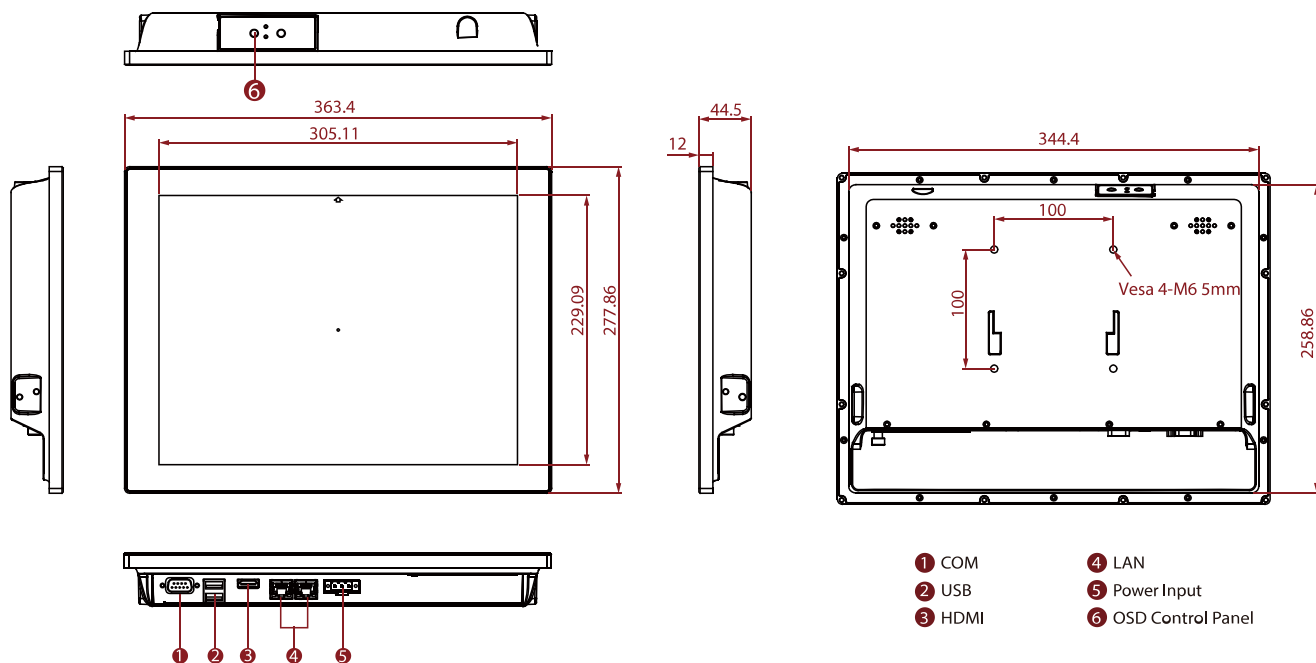
SPECIFICATIONS

Display	
Touch / Glass	Projected Capacitive Multi Touch Screen Anti-glare Coating (Optional)
Size	15 inches
Panel Brightness	300 nits 1000 nits(Optional)
Active Area	304.1x228.1 mm
Resolution	1024x768
Contrast Ratio	2000:1
View Angles	88,88,88,88
System Specification	
Processor	Intel® Celeron® N2930 (2M Cache, up to 2.16 GHz)
Storage	1 x mSATA SSD 64GB. mSATA SSD up to 512GB. (Optional)
Operating System	Windows 10 IoT Enterprise (Optional) Linux Ubuntu 18.04 (Optional)
Memory	1 x SO-DIMM, DDR3L 1600 MHz, 4GB 8GB (Optional)
BT	Support (Optional)
Ethernet controller	2 x Intel® Gigabit Ethernet Controller
WLAN	Support (Optional)
Environment	
Operating Humidity	10% to 90% (Non-Condensing)
Storage Temperature	-20~60°C
Vibration	MIL-STD-810G Method 514.6
Operating Temperature	0~50°C
Shock	MIL-STD-810G Method 516.6
IP rating	Front IP65
Certification	
Certification	CE, FCC
IO Ports	
USB Port	1 x USB2.0 1 x USB3.0
Serial Port	1 x RS232(Default)/422/485
Video	1 x HDMI (Optional)
Audio	2 x Speaker
LAN	2 x RJ-45
Mechanical	
Dimension	363.4 x 277.86 x 44.5 mm
Mounting	VESA Mount/ Panel Mount
Enclosure	Aluminum
Cooling System	Fanless Design
Accessory	

Accessory	Quick Start Guide(Hardcopy) Driver CD & User Manual AC Adapter Power Cable
------------------	---

Power	
Power Rating	12V DC in 9-36V DC (Optional)
Control	
Button	1 x Power Button 1 x Reset Button

DIMENSIONS UNIT:MM



NOTE

1. This is a simplified drawing and some components are not marked in detail.
2. Please contact our sales representative if you need further product information.
3. All specifications are subject to change without prior notice.
4. The product shown in this datasheet is a standard model. For diagrams that contain customized or optional I/O, please contact the Winmate Sales Team for more information.