

R15IB7T-OFC3

15" Intel® Celeron® N2930 Open Frame Panel PC



KEY FEATURES

- 15" TFT XGA LCD
- Intel® Bay Trail-M Quad Core™ Celeron® N2930
- 1 x SO-DIMM DDR3L 1600, max. 8 GB
- Integrated VGA, 24 bit Dual-channel LVDS, DVI
- Integrated Dual Broadcom I210AT GbE Controller
- 1 x SATA II, 3 x COM, 3 x USB 2.0, 1 x USB 3.0, 2 x Mini PCIe slot

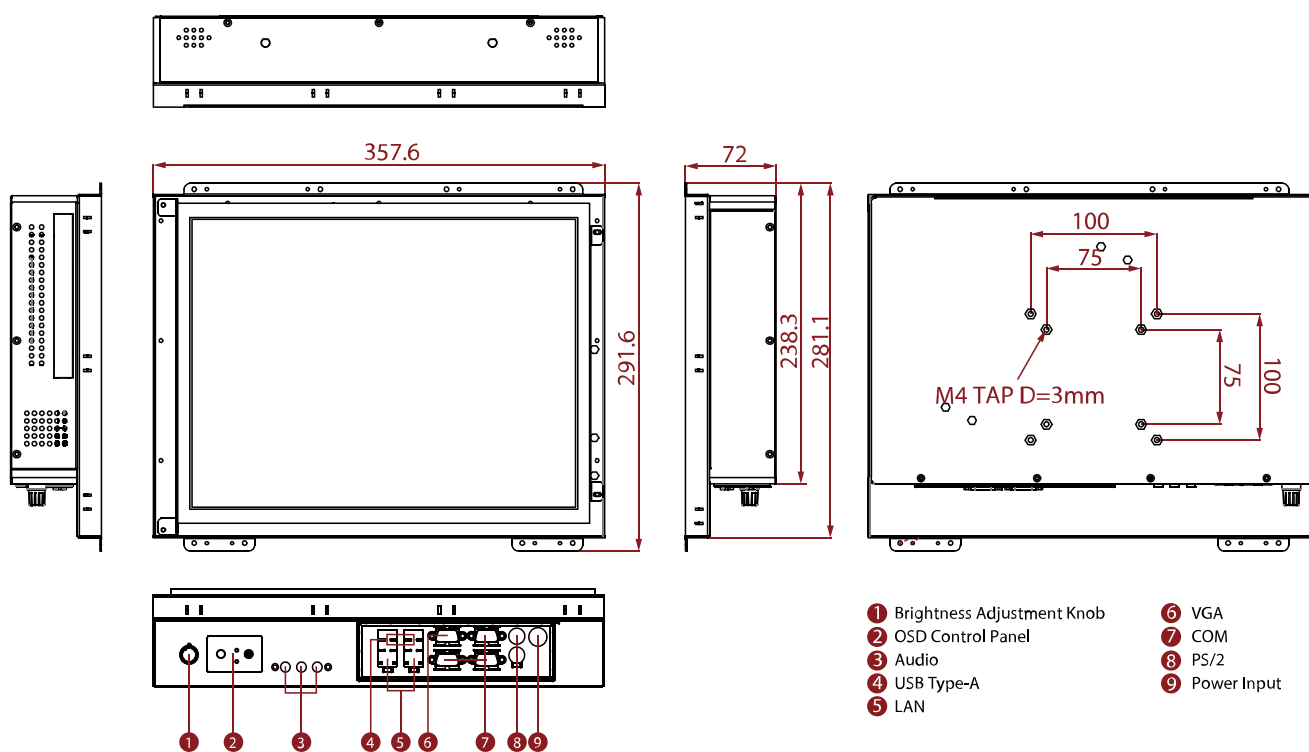


SPECIFICATIONS

Display			
Resolution	1024x768	Size	15.0 inches
Contrast Ratio	2000:1	Panel Brightness	300.0 nits
View Angles	88,88,88,88	Active Area	304.1x228.1 mm
Touch / Glass	Resistive Touch Screen (Optional) Protection Glass Without Touch Function (Optional)		
System Specification			
Processor	Intel Celeron N2930 1.83GHz (up to 2.16GHz)	Memory	2 x SO-DIMM, DDR3L 1600 MHz, 4GB 8GB (Optional)
Storage	1 x mSATA SSD 128GB mSATA SSD up to 512GB (Optional) 1 x SATA II for 2.5" HDD (Optional)	Ethernet controller	2 x Intel® Ethernet Controller
Operating System	Windows 7 Embedded Systems (Optional) Windows 10 IoT Enterprise (64 bit) (Optional) Linux Ubuntu 20.04 (Optional)	WLAN	Support (Optional)
BT	Support (Optional)		
Mechanical			
Dimension	357.6 x 291.6 x 72 mm	Mounting	Open Frame Panel Mount VESA Mount
Enclosure	Metal Housing	Cooling System	Fanless design
Environment			
Operating Humidity	10% to 90% RH, Non-Condensing	Operating Temperature	0°C to 50°C
Storage Temperature	-10°C to 60°C		
Certification			
Certification	CE, FCC		
IO Ports			
Power Input	1 x 12V DC, Din4 pin connector	USB Port	1 x USB3.2 Gen1x1 (Type-A) 3 x USB2.0 (Type-A)
Serial Port	1 x RS232/422/485 (Default RS232) 2 x RS232 1 x RS232 (Optional)	Video	1 x VGA

Audio	Mic in Line in Line out	Expansion Port	2 x mPCIe slot
LAN	2 x Giga LAN RJ45 Connector	Indicator	1 x LED Indicator for power 1 x LED Indicator for storage
Brightness Knob	1 x Brightness Adjustment Knob	PS/2	2 x PS/2
mini PCIe	3 x Mini PCIe		
Control			
Button	1 x Power Button 1 x Reset Button		
Accessory			
Accessory	100~240V AC to DC Adapter Power Cord VESA screws		
Power			
Power Rating	12V DC	Adapter	12V 50W

DIMENSIONS UNIT:MM



NOTE

1. This is a simplified drawing and some components are not marked in detail.
2. Please contact our sales representative if you need further product information.
3. All specifications are subject to change without prior notice.
4. The product shown in this datasheet is a standard model. For diagrams that contain customized or optional I/O, please contact the Winmate Sales Team for more information.