

R15IF7T-OFC3

15" Intel® Core™ i3/i5/i7 (Coffee Lake Refresh) Open Frame Panel PC



KEY FEATURES

- 15" 1024 x 768 Resolution
- Intel® 9th Gen. Core™ i3/i5/i7 Processor (Coffee Lake Refresh)
- Flexible storage devices, one 2.5-inch HDD and one SSD
- Multiple I/Os, 2 x Serial Ports, 4 x USB 3.2 Gen. 1 Ports
- 12 V DC Power input
- DP Support 4096 x 2304 @ 60 Hz
- HDMI Support 4096 x 2304 @ 24 Hz



SPECIFICATIONS

Display			
Resolution	1024x768	Size	15.0 inches
Contrast Ratio	2000:1	Panel Brightness	300.0 nits
View Angles	88,88,88,88	Active Area	304.1x228.1 mm
Touch / Glass	Resistive Touch Screen (Optional) Protection Glass Without Touch Function (Optional)		
System Specification			
Processor	Intel Core i7-9700TE 1.8GHz (up to 3.8GHz) Intel Core i5-9500TE 2.2GHz (up to 3.6GHz) (Optional) Intel Core i3-9100TE 2.2GHz (up to 3.2GHz) (Optional)	Chipset	Intel® B360(No vPRO) Intel® Q370(Support vPRO and NVMe) (Optional)
Memory	1 x SO-DIMM, DDR4 2400 MHz, 4GB 8GB (Optional) 16GB (Optional) 32GB (Optional) 2 x SO-DIMM, DDR4 2400 MHz, 4GB (Optional) 8GB (Optional) 16GB (Optional) 32GB (Optional) 64GB (Optional)	Storage	1 x M.2 2242 B-key SSD 128GB M.2 2242 B-key SSD up to 512GB (Optional) M.2 2280 M-Key NVMe SSD, up to 4TB (Optional) 2 x SATA III support RAID 0,1 (Optional)
Ethernet controller	2 x Intel® Ethernet Controller	Security	TPM 2.0
Operating System	Windows 10 IoT Enterprise (64 bit) (Optional) Linux Ubuntu 20.04 (Optional)	WLAN	Support (Optional)
BT	Support (Optional)		
Mechanical			
Dimension	357.6 x 291.6 x 63 mm	Mounting	Open Frame Panel Mount VESA Mount
Enclosure	Metal Housing	Cooling System	Fan design
Environment			
Operating Humidity	10% to 90% RH, Non-Condensing	Operating Temperature	0°C to 50°C
Storage Temperature	-10°C to 60°C		
Certification			

Certification CE, FCC

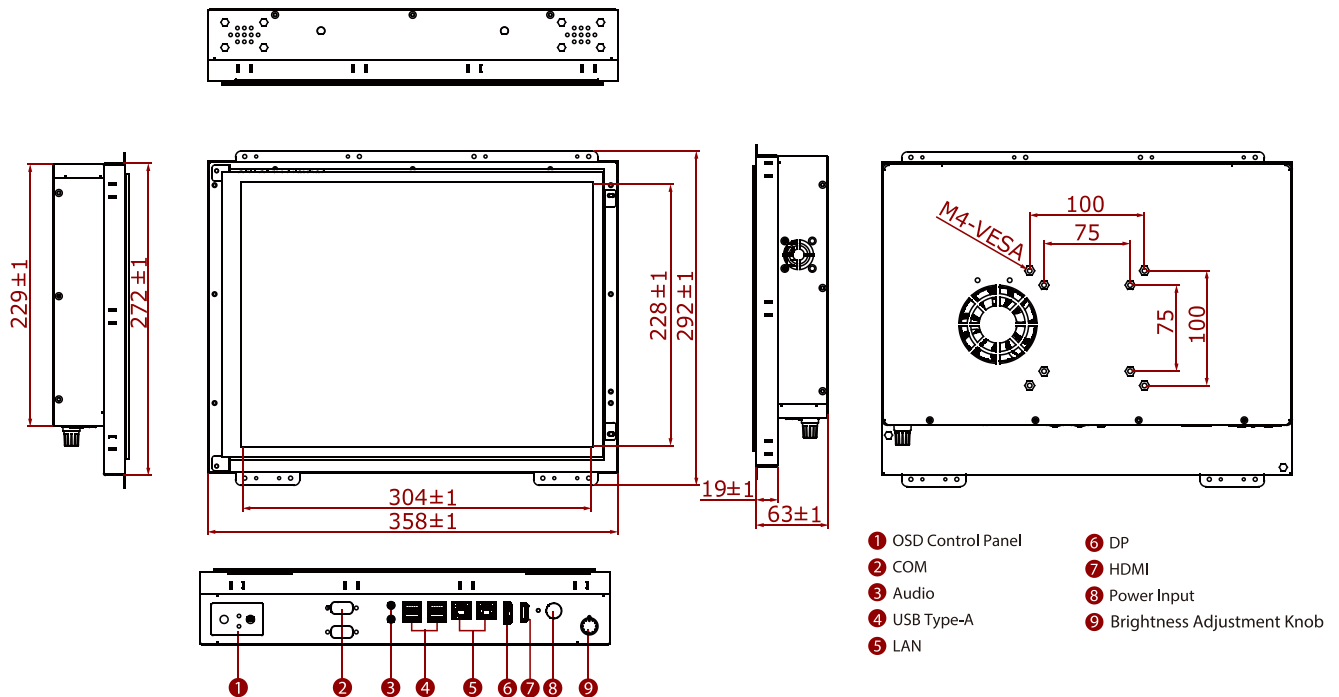
IO Ports			
Power Input	1 x 12V DC, Din4 pin connector	USB Port	4 x USB3.2 Gen1x1 (Type-A)
Serial Port	1 x RS232/422/485 (Default RS232) 1 x RS232	Video	1 x DP1.2 1 x HDMI 1.4 (Optional)
Audio	1 x Mic in 1 x Line out 2 x Speaker	Expansion Port	2 x M.2 slot(1 for WiFi, 1 for SSD) 1 x PCIe x16 (Optional)
LAN	2 x Giga LAN RJ45 Connector	Indicator	1 x LED Indicator for power 1 x LED Indicator for storage
Brightness Knob	1 x Brightness Adjustment Knob		

Control	
Button	1 x Power Button 1 x Reset Button

Accessory	
Accessory	100~240V AC to DC Adapter Power Cord VESA screws

Power			
Power Rating	12V DC (Lockable Power Jack)	Adapter	12V 120W

DIMENSIONS UNIT:MM



NOTE

1. Measurements shown in mm
2. Tolerance of all dimensions is shown as follow 0~30 mm ± 0.1 mm, 30~50 mm ± 0.15 mm, 50~120 mm ± 0.2 mm, above 120 mm ± 0.25 mm
3. Note: this is a simplified drawing and some components are not marked in detail.
4. The product shown in this datasheet is a standard model. For diagrams that contain customized or optional I/O, please contact the Winmate Sales Team for more information.