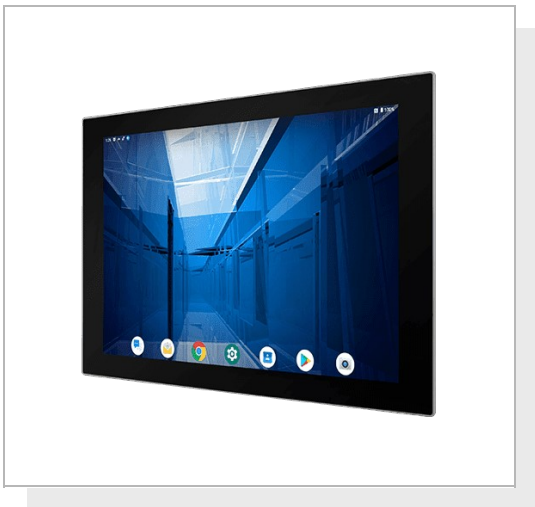


R15IM3S-PCC3-POE

15" ARM A53 S Series HMI Panel PC



KEY FEATURES

- 15" 1024 x 768 TFT LCD with Projected Capacitive Multi-Touch (PCAP)
- Fanless cooling system and ultralow power consumption
- Support PoE function
- Optional 2MP Front Camera
- Optional HF RFID Reader
- Stylish design for room booking, access control, and room information applications
- Front IP65 Water and Dust Proof
- Support Android or Linux operating system



SPECIFICATIONS

Display			
Resolution	1024x768	Size	15 inches
Contrast Ratio	2000:1	Panel Brightness	300 nits
View Angles	88,88,88,88	Active Area	304.1x228.1 mm
Touch / Glass	Projected Capacitive Multi Touch Screen		
System Specification			
WLAN	Support (Optional)	BT	Support (Optional)
RFID	HF RFID Reader 13.56 MHz (Optional)	Processor	ARM A53 Quad Core 2.0GHz
Memory	4GB LPDDR4	Storage	32GB eMMC
Operating System	Android 11 (Upgradeable to Android 13) Linux Yocto 5.10.104 with QT 5.15 (Optional) Linux Ubuntu (in 2023) (Optional)		
Mechanical			
Dimension	363.40 x 277.86 x 44.50 mm	Mounting	Panel Mount VESA Mount
Enclosure	Aluminum	Cooling System	Fanless design
Cut out	346.5x261mm		
Environment			
Operating Humidity	10% to 90% (noncondensing)	Operating Temperature	0~50°C
Storage Temperature	-20~60°C	Shock	MIL-STD-810G Method 516.6
Vibration	MIL-STD-810G Method 514.6	IP rating	Front IP65
Certification			
Certification	CE, FCC		
IO Ports			
USB Port	2 x USB 2.0 Type A 1 x Micro USB 2.0 OTG	Serial Port	1 x RS232/422/485 (Default RS232)
SD Card Slot	1 x Micro SD card slot (Max to 32GB)	Video	1 x Micro HDMI Output (Optional)
Audio	2 x Speaker	LAN	1 x LAN 10/100/1000 Mbps

Accessory

Accessory	100~240V AC to DC Adapter Power Cord Terminal Block to 2.5Ø Female Adapter Cable Open Wire Cable with terminal block connector Manual VESA screws
------------------	--

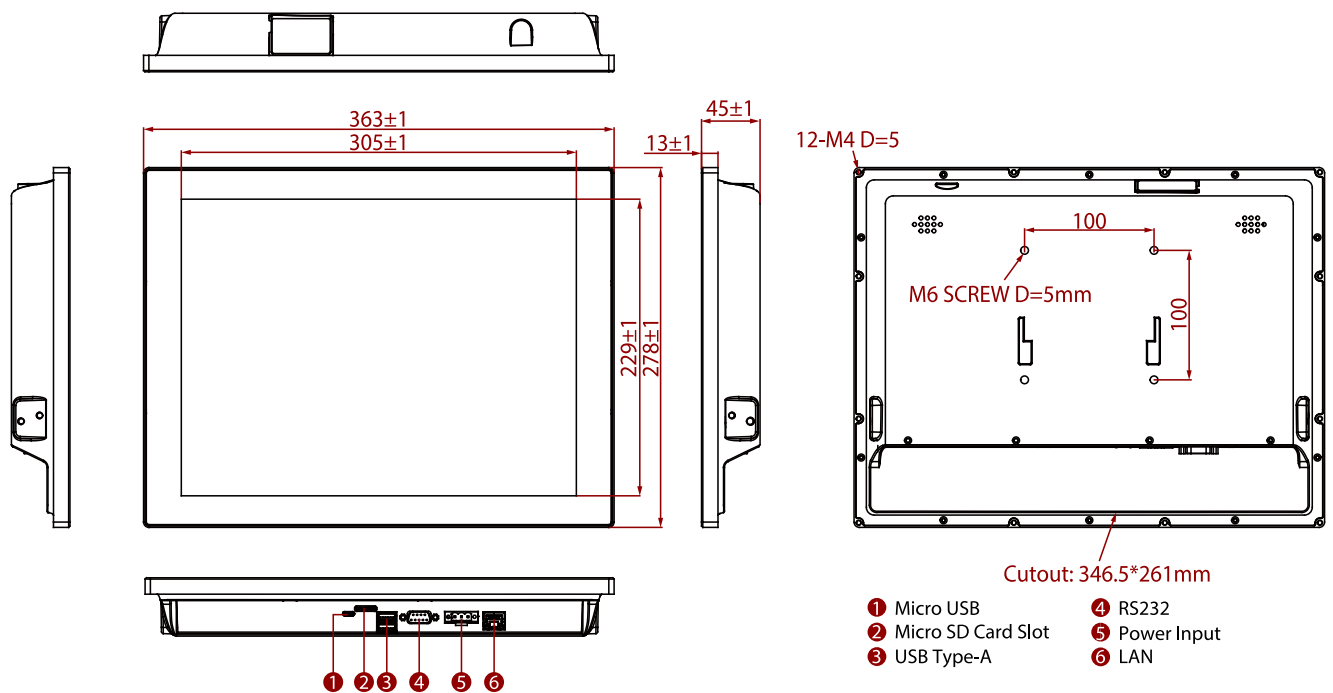
Power

Power Rating	12V DC with Terminal Block	Adapter	12V 50W
	9~36V (Optional)		
POE	PoE (PD): follows IEEE 802.3at (25 W)		

Camera

Front Camera	2MP Camera (Optional)
---------------------	-----------------------

DIMENSIONS UNIT:MM



NOTE

1. This is a simplified drawing and some components are not marked in detail.
2. The product shown in this datasheet is a standard model. For diagrams that contain customized or optional I/O, please contact the Winmate Sales Team for more information.
3. All specifications are subject to change without prior notice.