

R15IP3S-PCC3-POE

15" Intel® Pentium® N4200 S Series HMI Panel PC



KEY FEATURES

- 15" 1024 x 768 PCAP multi-touch screen
- Intel® Pentium® N4200 Apollo Lake Processor
- Fanless cooling system and ultra-low power consumption
- Dual Gigabit Ethernet
- Front IP65 water and dust proof
- Optional 2 MP Front Camera
- Optional HF RFID Reader
- Support PoE function
- Stylish design for room booking, access control and room information applications

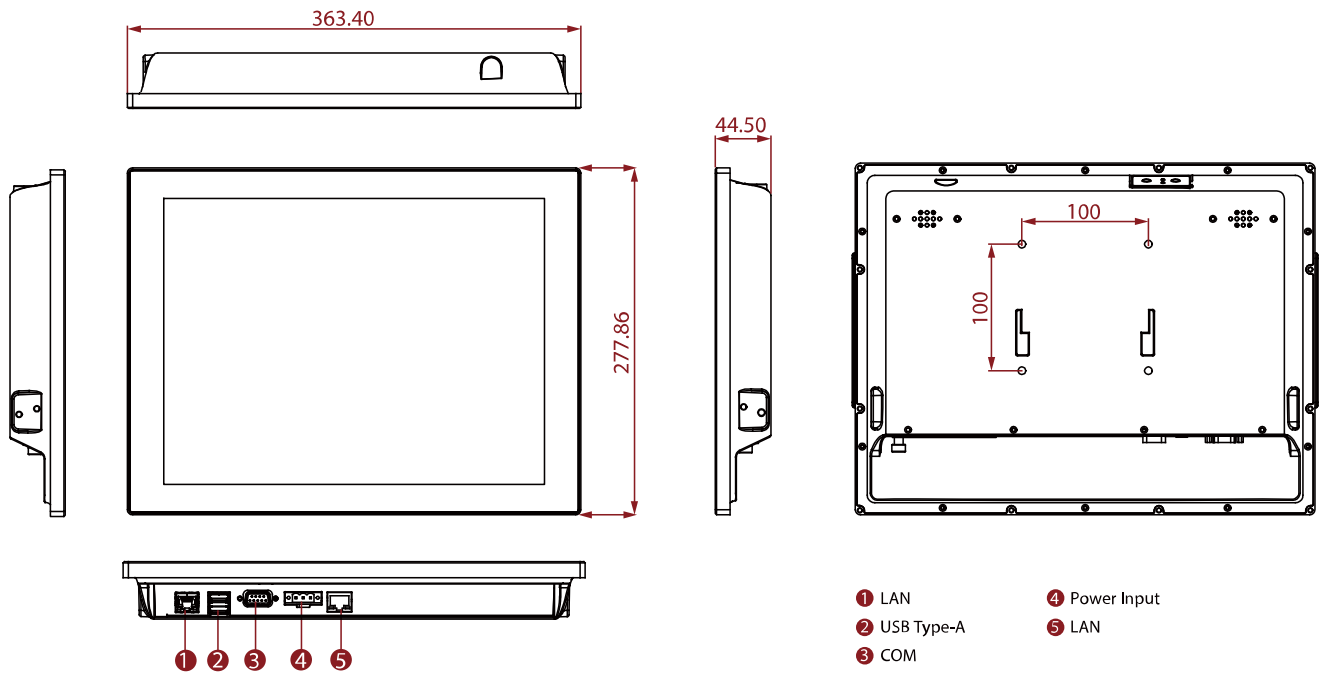


SPECIFICATIONS

Display	
Resolution	1024x768
Contrast Ratio	2000:1
View Angles	88,88,88,88
Touch / Glass	Projected Capacitive Multi Touch Screen
Size	15.0 inches
Panel Brightness	300.0 nits
Active Area	304.1x228.1 mm
System Specification	
Processor	Intel Pentium N4200 1.1GHz (up to 2.5GHz)
Storage	1 x M.2 B-Key 2242 SSD 128GB M.2 B-Key 2242 SSD up to 512GB (Optional)
Security	TPM 2.0
WLAN	Support (Optional)
RFID	HF RFID Reader 13.56 MHz (Optional)
Memory	1 x SO-DIMM, DDR3L 1600 MHz, 4GB 8GB (Optional)
Ethernet controller	2 x Intel® Ethernet Controller
Operating System	Windows 10 IoT Enterprise (64 bit) (Optional) Linux Ubuntu 20.04 (Optional)
BT	Support (Optional)
Mechanical	
Dimension	363.4 x 277.86 x 44.5 mm
Enclosure	Metal Housing
Cut out	346.5x261mm
Mounting	Panel mount VESA Mount
Cooling System	Fanless design
Environment	
Operating Humidity	10% to 90% RH, Non-Condensing
Storage Temperature	-10°C to 60°C
Operating Temperature	0°C to 50°C
IP rating	Front IP65
Certification	
Certification	CE, FCC
IO Ports	
Power Input	1 x 12V DC, 3-Pin Terminal Block
Serial Port	1 x RS232/422/485 (Default RS232)
Audio	1 x Speaker
USB Port	2 x USB3.2 Gen1x1 (Type-A)
Video	1 x Micro HDMI (Optional)
Expansion Port	2 x M.2 slot(1 for WiFi, 1 for SSD)

LAN	2 x Giga LAN R,J45 Connector, One with PoE(PD), 802.3bt, 40W)(Optional)		
Accessory			
Accessory	100~240V AC to DC Adapter Power Cord Terminal Block to 2.5Ø Female Adapter Cable Open Wire Cable with terminal block connector VESA screws	Optional Accessory	VESA Wall Mount (Optional) VESA Desk Stand (Optional) Glass Wall Mount Kit (Optional) Front Side Wall Mount (Optional) VESA bracket mounting kit (Optional)
Power			
Power Rating	12V DC 9~36V (Optional)	Adapter	12V 50W
POE	PoE (PD): follows IEEE 802.3at (25 W)		

DIMENSIONS UNIT:MM



NOTE

1. Measured at dimming LCD brightness. Varies depending on the usage conditions, or when an external device is attached.
2. Total usable memory will be less dependent upon actual system configuration.
3. Length measurements do not include protrusions. Weight varies with options.
4. This is a simplified drawing and some components are not marked in detail.
5. The product shown in this datasheet is a standard model. For diagrams that contain customized or optional I/O, please contact the Winmate Sales Team for more information.
6. All specifications are subject to change without prior notice.