

# R15IQ3S-PCC3AC-POE

## 15" Qualcomm Snapdragon™ 660 S Series HMI Panel PC



### KEY FEATURES

- 15" 1024 x 768 TFT LCD with Projected Capacitive Multi-Touch (PCAP)
- Fanless cooling system and ultralow power consumption
- Support PoE function
- Optional 2MP Front Camera
- Optional HF RFID Reader
- Stylish design for room booking, access control, and room information applications
- Front IP65 Water and Dust Proof
- Built-in RGB LED Light Bar Indicator



### SPECIFICATIONS

Display			
<b>Resolution</b>	1024x768	<b>Size</b>	15 inches
<b>Contrast Ratio</b>	2000:1	<b>Panel Brightness</b>	300
<b>View Angles</b>	88,88,88,88	<b>Active Area</b>	304.1x228.1 mm
<b>Touch / Glass</b>	Projected Capacitive Multi Touch Screen		
System Specification			
<b>WLAN</b>	Support (Optional)	<b>BT</b>	Support (Optional)
<b>RFID</b>	HF RFID Reader 13.56 MHz (Optional)	<b>Light Bar</b>	Built-in RGB LED Status Light Bar, on both sides
<b>Processor</b>	Qualcomm® Snapdragon™ 660 (Octa-Core 2.2 GHz)	<b>Memory</b>	3GB LPDDR4
<b>Storage</b>	32GB eMMC	<b>Operating System</b>	Android 9.0
Mechanical			
<b>Dimension</b>	363.40 x 277.86 x 44.50 mm	<b>Mounting</b>	Panel mount VESA Mount
<b>Enclosure</b>	Aluminum	<b>Cooling System</b>	Fanless design
<b>Cut out</b>	346.5x261mm		
Environment			
<b>Operating Humidity</b>	10% to 90% (Non-Condensing)	<b>Operating Temperature</b>	0~50°C
<b>Storage Temperature</b>	-20~60°C	<b>Shock</b>	MIL-STD-810G Method 516.6
<b>Vibration</b>	MIL-STD-810G Method 514.6	<b>IP rating</b>	Front IP65
Certification			
<b>Certification</b>	CE, FCC		
IO Ports			
<b>USB Port</b>	2 x USB 2.0 (Type A), 1 x USB 3.0 (Type-C)	<b>Serial Port</b>	1 x RS232/422/485 (Default RS232)
<b>SD Card Slot</b>	1 x Micro SD card slot	<b>Video</b>	1 x Micro HDMI (Optional)
<b>Audio</b>	2 x Speaker	<b>LAN</b>	1 x LAN PoE at/af

## Accessory

<b>Accessory</b>	100~240V AC to DC Adapter Power Cord Terminal Block to 2.5Ø Female Adapter Cable Open Wire Cable with terminal block connector Manual VESA screws
------------------	--

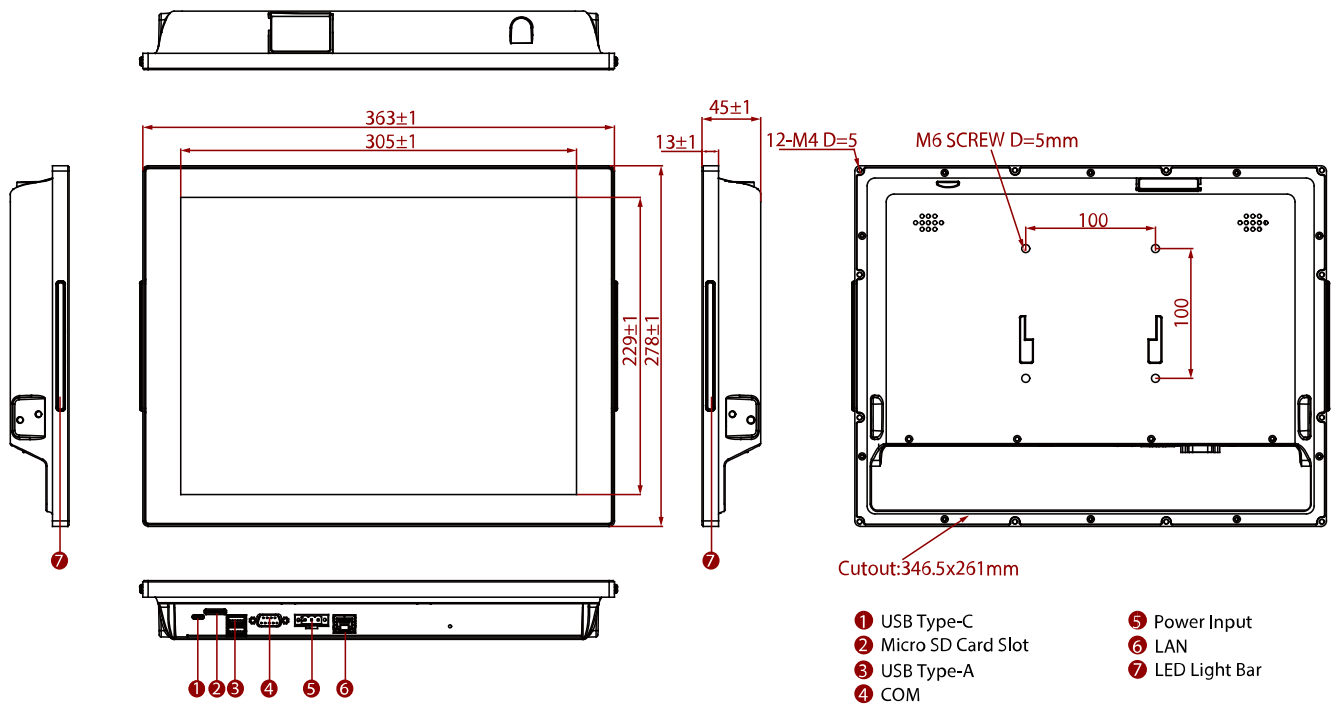
## Power

<b>Power Rating</b>	12V DC with Terminal Block 9~36V (Optional)	<b>Adapter</b>	12V 50W
<b>POE</b>	PoE (PD): follows IEEE 802.3at (25 W)		

## Camera

<b>Front Camera</b>	2MP Camera (Optional)
---------------------	-----------------------

## DIMENSIONS UNIT:MM



## NOTE

1. This is a simplified drawing and some components are not marked in detail.
2. The product shown in this datasheet is a standard model. For diagrams that contain customized or optional I/O, please contact the Winmate Sales Team for more information.
3. All specifications are subject to change without prior notice.