

R15IT3S-VMC3(HB)

15" Intel® Core™ i5-1135G7 G-WIN Vehicle Mount Panel PC



KEY FEATURES

- 15" Panel, 1024*768 resolution, 300 nits (Optional for 1000 nits)
- Intel® Core™ i5-1135G7 Tiger Lake UP3.
- -10 ~ +55°C Wide Range Operating Temperature
- Aluminum housing with anti-corrosion treatments. Fanless Design.
- 9 ~ 36V DC Isolation Wide Range Power Input. Optional Ignition on/off control function.
- Resistive Touch / Anti-Reflective Protection Glass (Optional)
- Front IP65 (Except I/O parts)
- Anti-Shock & Vibration compliant with MIL-STD-810F/G
- Optional GPS, WWAN/WLAN(Either one). GPIO/Canbus(Either one)

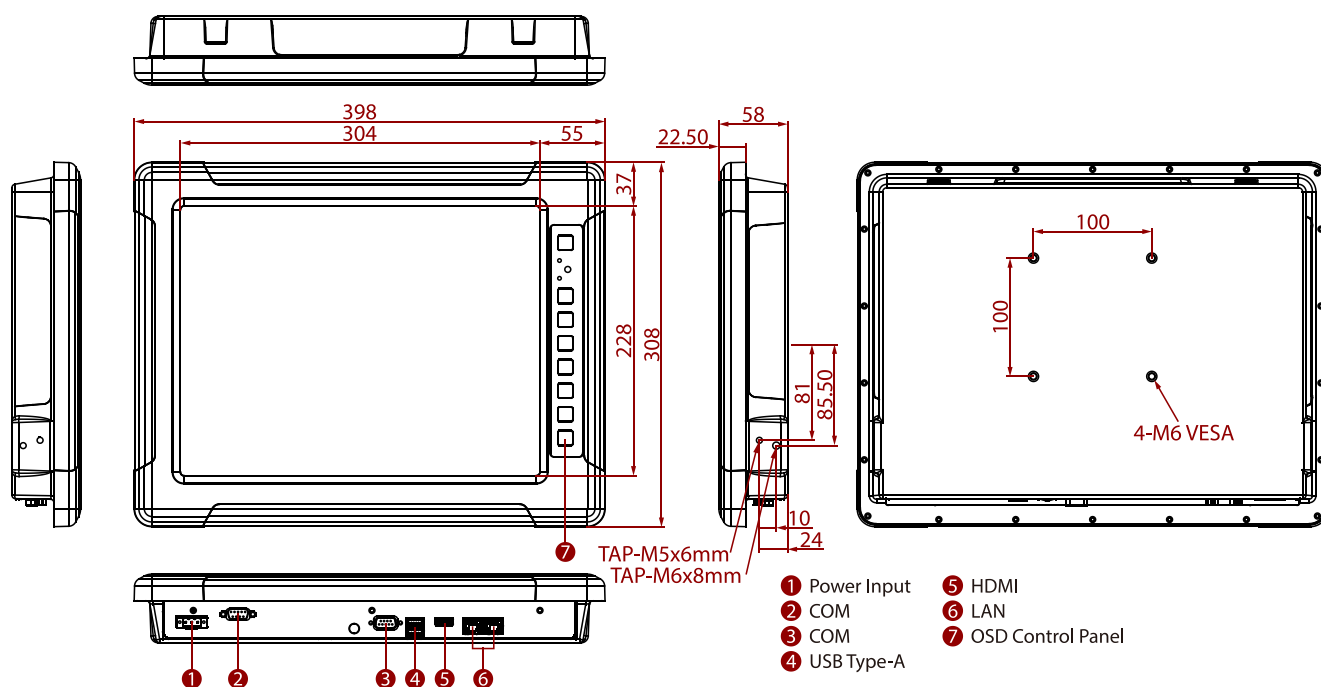


SPECIFICATIONS

| System Specification | | | |
|----------------------------|---|------------------------------|--|
| WLAN | Support (Optional) | BT | Support (Optional) |
| WWAN | WWAN (Optional) | Processor | Intel Core i5-1135G7 2.4GHz (up to 4.2GHz) |
| Memory | 1 x SO-DIMM, DDR4 3200 MHz, 4GB 8GB (Optional) 16GB (Optional) 32GB (Optional) | Storage | 1 x M.2 M-Key 2242 SATA SSD or 1 x M.2 M-Key 2280 NVMe SSD 128GB 256GB (Optional) 512GB (Optional) 1TB(for NVMe) (Optional) 2TB(for NVMe) (Optional) 4TB(for NVMe) (Optional) |
| Ethernet controller | 2 x Intel® Ethernet Controller | Security | TPM 2.0 |
| Operating System | Windows 11 IoT Enterprise (64 bit) (Optional) Windows 11 Pro 64 bit (Optional) Windows 10 IoT Enterprise (64 bit) (Optional) Linux Ubuntu 22.04 (Optional) | | |
| Display | | | |
| Touch / Glass | Resistive Touch Screen (Optional) Protection Glass Without Touch Function (Optional) | Optional function | High brightness Panel for sunlight readable (Optional) |
| Resolution | 1024x768 | Size | 15.0 inches |
| Contrast Ratio | 2000:1 | Panel Brightness | 300 nits 1000 nits(Optional) |
| View Angles | 88,88,88,88 | Active Area | 304.1x228.1 mm |
| Mechanical | | | |
| Dimension | 398 x 308 x 58 mm | Weight | 4.2 kg |
| Mounting | VESA Mount Yoke Mount | Enclosure | Aluminum Housing |
| Cooling System | Fanless design | | |
| Environment | | | |
| Operating Humidity | 10% to 90% RH, Non-Condensing | Operating Temperature | -10°C to 55°C |
| Storage | -30°C to 70°C | Shock | MIL-STD-810G Method 516.6 Procedure I |

| | | | |
|-----------------------|--|---------------------------|--|
| Temperature | | | (Optional) |
| Vibration | MIL-STD-810G Method 514.6 Procedure I | IP rating | Front IP65 |
| Certification | | | |
| Certification | CE, FCC | | |
| IO Ports | | | |
| Power Input | 1 x 9~36V DC, 3-Pin Terminal Block | USB Port | 2 x USB3.2 Gen2x1 (Type-A) |
| Serial Port | 1 x RS232/422/485 (Default RS232) 1 x RS232 | Video | 1 x HDMI 2.0 (Optional) |
| Expansion Port | 2 x M.2 slot(1 for WiFi, 1 for SSD) | LAN | 2 x Giga LAN RJ45 Connector |
| Indicator | 1 x LED Indicator for power 1 x LED Indicator for storage | DIDO | Terminal block with digital 4 in / 4 out (Either of DIDO/CANBUS) |
| CANBUS | Terminal block with 2 channel CANBUS (Either of DIDO/CANBUS) | | |
| Control | | | |
| Button | 1 x Power Button 1 x Reset Button 1 x Lock / Unlock front key function button 1 x Auto Dimming / Manually button 1 x Day / Night Mode button 1 x Brightness Up button 1 x Brightness Down button 1 x LED indicator brightness adjustment button 1 x Light sensor | | |
| Accessory | | | |
| Accessory | Open Wire Cable with terminal block connector VESA screws | Optional Accessory | Yoke mount stand (Optional) 100~240V AC to DC Adapter with power cord (Optional) |

DIMENSIONS UNIT:MM



NOTE

1. This is a simplified drawing and some components are not marked in detail.
2. Windows 10 operating system requires installing a new version of BIOS and OS image.
3. Windows 7 does not support the TPM 2.0 function.
4. Weight of the device varies by configuration.
5. Please contact our sales representative if you need further product information.
6. All specifications are subject to change without prior notice.
7. The product shown in this datasheet is a standard model. For diagrams that contain customized or optional I/O, please contact the Winmate Sales Team for more information.