

# R15ITWS-MHC3

## 15" Intel® Core™ i5-1135G7 M Series HMI Panel PC



### KEY FEATURES

- Intel® 11th Generation Tiger Lake UP3 Core™ i5 CPU
- Signature true flat display screen with edge-to-edge design
- Aluminum, anti-corrosion treated housing
- Superior sealing with front IP65 protection against dust and water
- Projected Capacitive Multi-Touch Screen (PCAP)
- Fanless Design
- Support wide range 9-29 V DC input with isolation
- One Quick & Easy Removable 2.5" SSD Bay Slot



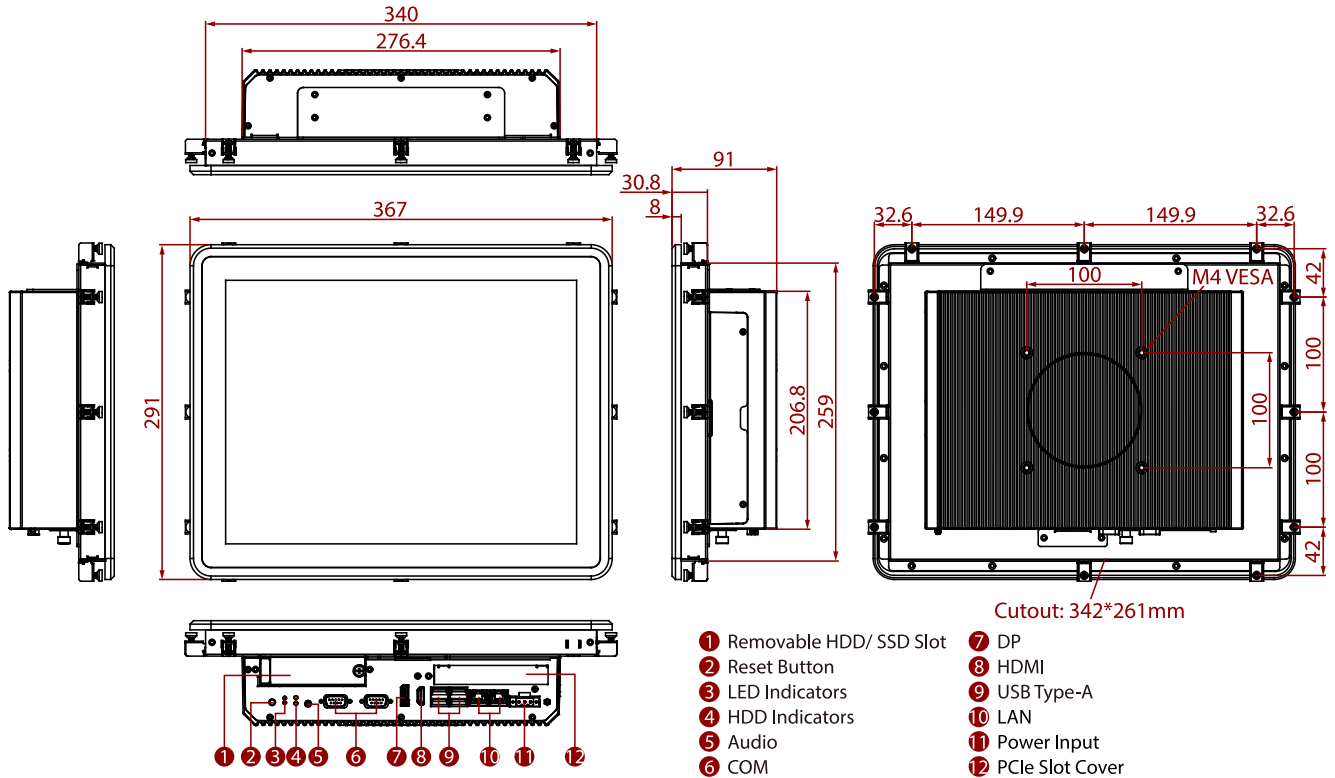
### SPECIFICATIONS

Display			
<b>Resolution</b>	1024x768	<b>Size</b>	15 inches
<b>Contrast Ratio</b>	2000:1	<b>Panel Brightness</b>	300 nits
<b>View Angles</b>	88,88,88,88	<b>Active Area</b>	304.1x228.1 mm
<b>Touch / Glass</b>	Projected Capacitive Multi Touch Screen		
System Specification			
<b>WLAN</b>	Support (Optional)	<b>BT</b>	Support (Optional)
<b>Expansion Port</b>	Modular Design for easy service in the field	<b>Processor</b>	Intel Core i5-1135G7 2.4GHz (up to 4.2GHz)
<b>Memory</b>	2 x SO-DIMM, DDR4 3200 MHz, 4GB 8GB (Optional) 16GB (Optional) 32GB (Optional)	<b>Storage</b>	1 x M.2 2280 NVMe SSD, 128GB up to 512GB 2 x 2.5" Removable 256GB SSD up to 512GB (Optional)
<b>Ethernet controller</b>	Intel® Ethernet Controller I211-AT + Intel® Ethernet Connection I219-LM	<b>Security</b>	Trusted Platform Module (TPM) 2.0
<b>Operating System</b>	Windows 10 IoT Enterprise (64 bit) (Optional)		
Mechanical			
<b>Dimension</b>	367 x 291 x 91 mm	<b>Mounting</b>	Panel mount VESA Mount
<b>Enclosure</b>	Metal Housing	<b>Cooling System</b>	Fanless design
<b>Cut out</b>	342 x 261mm		
Environment			
<b>Operating Humidity</b>	10% to 90% RH, Non-Condensing	<b>Operating Temperature</b>	0°C to 50°C
<b>Storage Temperature</b>	-10°C to 60°C	<b>IP rating</b>	Front IP65
Certification			
<b>Certification</b>	CE, FCC		
IO Ports			
<b>Power Input</b>	1 x 9~29V DC, 3-Pin Terminal Block	<b>USB Port</b>	4 x USB 3.2 Gen.1 (Type-A)
<b>Serial Port</b>	2 x RS232/422/485 (Default RS232)	<b>Video</b>	1 x DP1.4 1 x HDMI 2.0 (Optional)
<b>Audio</b>	1 x Audio Combo Connector (Mic in / Line Out)	<b>Expansion Port</b>	1 x mPCIe slot

1 x PCIe x16 slot (x4 signal)(module max size:180x121mm)  
 1 x M.2 2230 Key E slot for WiFi  
 1 x M.2 2280 Key M slot for NVMe SSD [www.winmate.com](http://www.winmate.com)

<b>LAN</b>	2 x Giga LAN RJ45 Connector	<b>Indicator</b>	1 x LED Indicator for storage
<b>Control</b>			
<b>Button</b>	1 x Power Button with LED Indicator 1 x Reset Button		
<b>Accessory</b>			
<b>Accessory</b>	100~240V AC to DC Adapter Power Cord Open Wire Cable with terminal block connector Mounting clips VESA screws		
<b>Power</b>			
<b>Power Rating</b>	9V~29V DC with protection fuse	<b>Adapter</b>	12V 120W
<b>Consumption</b>	45W~55W		

**DIMENSIONS** UNIT:MM



**NOTE**

1. This is a simplified drawing and some components are not marked in detail.
2. The product shown in this datasheet is a standard model. For diagrams that contain customized or optional I/O, please contact the Winmate Sales Team for more information.
3. All specifications are subject to change without prior notice.