

# R15L100-POC3-C

## 15" USB Type-C Open Frame Display



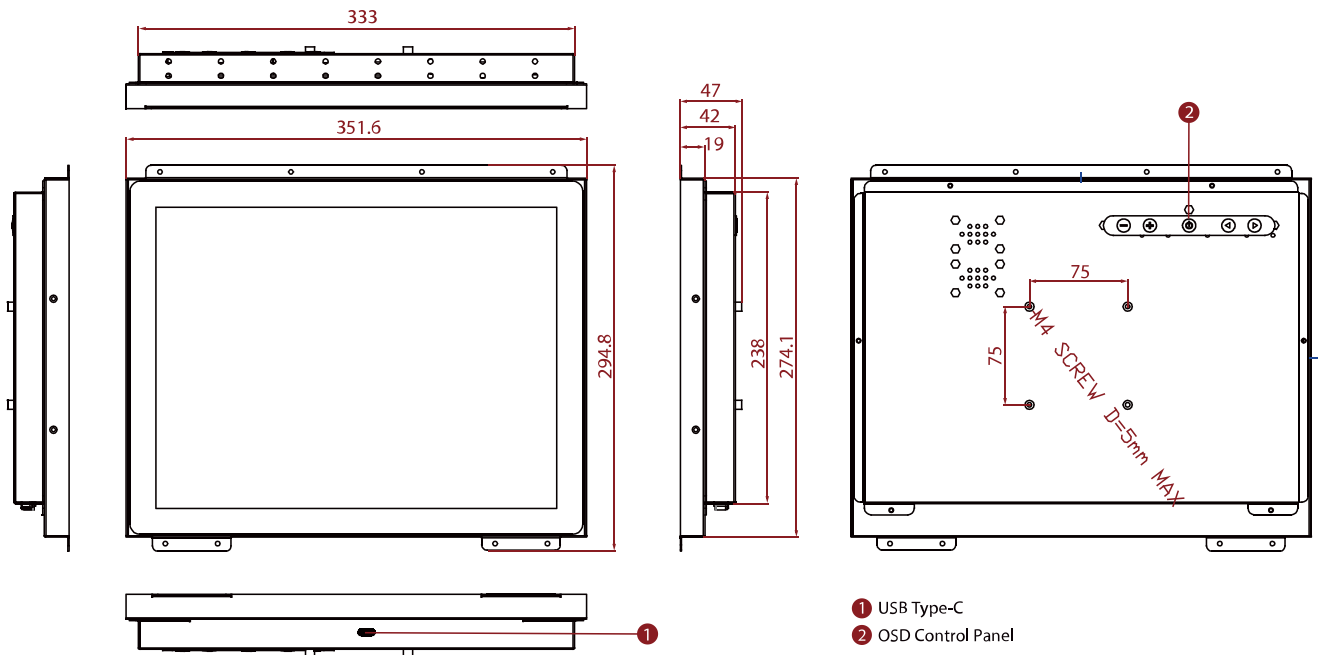
### KEY FEATURES

- 15", 1024 x 768
- USB Type-C connector
- Open frame
- VESA mount
- PCAP touch



### SPECIFICATIONS

Display			
<b>Resolution</b>	1024x768	<b>Size</b>	15.0 inches
<b>Contrast Ratio</b>	2000:1	<b>Panel Brightness</b>	300 nits
<b>Display Color</b>	16.2M Colors	<b>View Angles</b>	88,88,88,88
<b>Touch / Glass</b>	Projected Capacitive Multi Touch Screen Protection Glass (Optional) Anti-glare Coating (Optional)		
Environment			
<b>Operating Humidity</b>	10% to 90% (non-condensing)	<b>Operating Temperature</b>	0~50°C
<b>Storage Temperature</b>	-10~60°C		
Certification			
<b>Certification</b>	CE, FCC		
IO Ports			
<b>USB Port</b>	1 x USB Type-C Connector	<b>Audio</b>	2 x Speaker (Optional)
Mechanical			
<b>Dimension</b>	351.6 x 274.1 x 47 mm	<b>Mounting</b>	VESA Mount/ Panel Mount
<b>Enclosure</b>	Metal	<b>Cooling System</b>	Fanless Design
<b>Cut out</b>	338.4 x 295 mm		
Accessory			
<b>Accessory</b>	User Manual	<b>Optional Accessory</b>	Standard USB-C Cable (Optional) Lockable USB-C to Standard USB-C Cable (Optional) Waterproof USB-C to Standard USB-C Cable (Optional)
Power			
<b>Power Rating</b>	USB Type-C Alt mode (5V/3A)		
Control			
<b>Button</b>	5 Keys: -, +, Power, Esc, Enter		



**NOTE**

1. This is a simplified drawing and some components are not marked in detail.
2. The product shown in this datasheet is a standard model. For diagrams that contain customized or optional I/O, please contact the Winmate Sales Team for more information.
3. All specifications are subject to change without prior notice.