

# R17IK7T-OFM1

## 17" Intel® Core™ i3/i5/i7 (Kaby Lake) Open Frame Panel PC



### KEY FEATURES

- 17" 1280 x 1024 Resistive touchscreen
- 7th Gen. Intel® Core™ i3/i5/i7 Processor (Kaby Lake)
- Flexible storage devices, one 2.5-inch HDD and one SSD
- Multiple I/Os, 2x Serial Ports, 4x USB 3.0 Ports
- 12V DC Power input
- DP Support 4096 x 2304 @ 60Hz
- HDMI Support 4096 x 2304 @ 24Hz



### SPECIFICATIONS

Display			
<b>Resolution</b>	1280x1024	<b>Size</b>	17.0 inches
<b>Contrast Ratio</b>	1000:1	<b>Panel Brightness</b>	350.0 nits
<b>View Angles</b>	85,85,80,80	<b>Active Area</b>	337.920x270.336 mm
<b>Touch / Glass</b>	Resistive Touch Screen (Optional) Protection Glass Without Touch Function (Optional)		
System Specification			
<b>Processor</b>	Intel Core i7-7700T 2.9 GHz (up to 3.8GHz) Intel Core i5-7500T 2.7GHz (up to 3.3GHz) (Optional) Intel Core i3-7100T 3.4GHz (Optional)	<b>Chipset</b>	Intel® C236
<b>Memory</b>	1 x SO-DIMM, DDR4 2166 MHz, 4GB 8GB (Optional) 16GB (Optional) 32GB (Optional) 2 x SO-DIMM, DDR4 2166 MHz, 4GB (Optional) 8GB (Optional) 16GB (Optional) 32GB (Optional) 64GB (Optional)	<b>Storage</b>	1 x M.2 2242 B-key SSD 128GB. M.2 2242 B-key SSD Up to 512GB. (Optional) 1 x 2.5" SSD / HDD (Optional) 2 x SATA III support RAID 0,1 (Optional)
<b>Ethernet controller</b>	2 x Intel® Ethernet Controller	<b>Security</b>	TPM 2.0
<b>Operating System</b>	Windows 10 IoT Enterprise (64 bit) (Optional) Linux Ubuntu 20.04 (Optional)	<b>WLAN</b>	Support (Optional)
<b>BT</b>	Support (Optional)		
Mechanical			
<b>Dimension</b>	410 x 329 x 74 mm	<b>Mounting</b>	Open Frame Panel Mount VESA Mount
<b>Enclosure</b>	Metal Housing	<b>Cooling System</b>	Fan design
Environment			
<b>Operating Humidity</b>	10% to 90% RH, Non-Condensing	<b>Operating Temperature</b>	0°C to 50°C
<b>Storage Temperature</b>	-10°C to 60°C		
Certification			

Certification CE, FCC

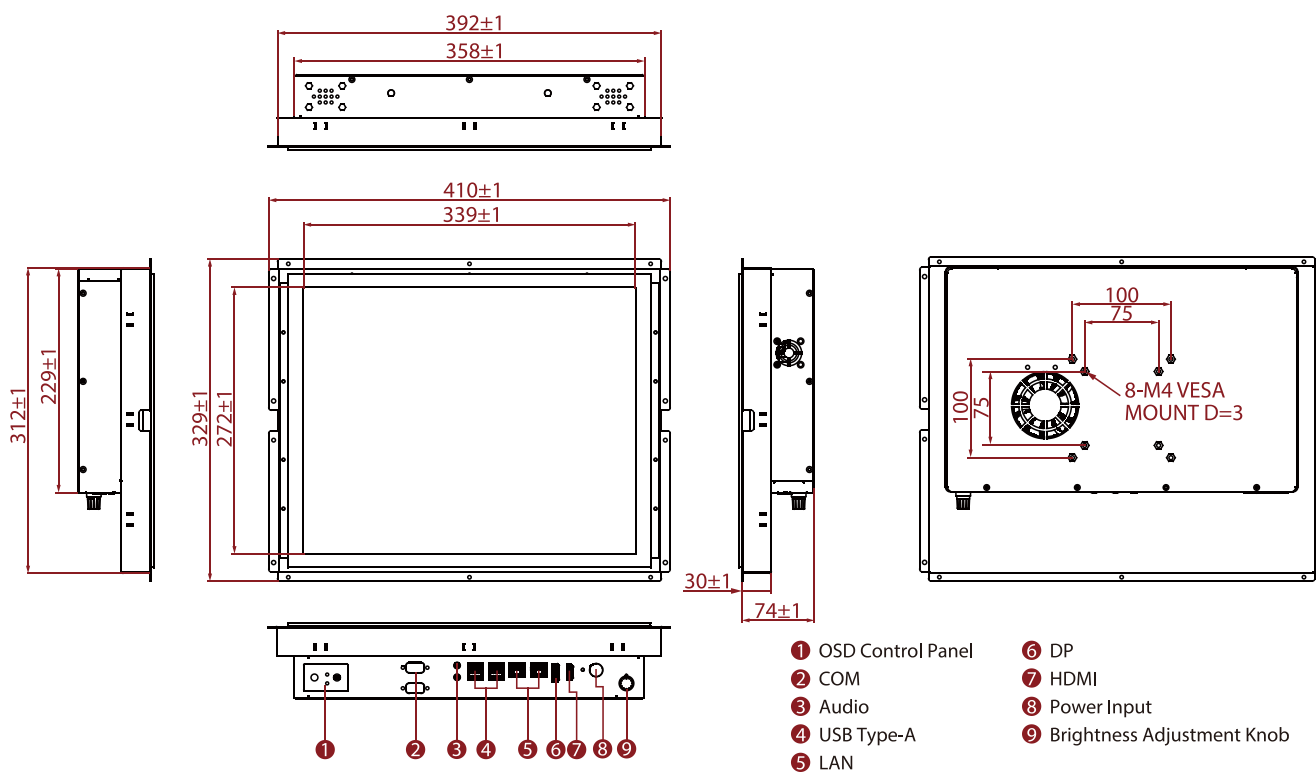
IO Ports			
<b>Power Input</b>	1 x 12V DC, Din4 pin connector	<b>USB Port</b>	4 x USB3.2 Gen1x1 (Type-A)
<b>Serial Port</b>	1 x RS232/422/485 (Default RS232) 1 x RS232	<b>Video</b>	1 x DP1.2 1 x HDMI 1.4 (Optional)
<b>Audio</b>	1 x Mic in 1 x Line out 2 x Speaker	<b>Expansion Port</b>	2 x M.2 slot(1 for WiFi, 1 for SSD) 1 x PCIe x16 (Optional)
<b>LAN</b>	2 x Giga LAN RJ45 Connector	<b>Indicator</b>	1 x LED Indicator for power 1 x LED Indicator for storage
<b>Brightness Knob</b>	1 x Brightness Adjustment Knob		

Control	
<b>Button</b>	1 x Power Button 1 x Reset Button

Accessory	
<b>Accessory</b>	100~240V AC to DC Adapter Power Cord VESA screws

Power			
<b>Power Rating</b>	12V DC (Lockable Power Jack)	<b>Adapter</b>	12V 120W

## DIMENSIONS UNIT:MM



## NOTE

1. This is a simplified drawing and some components are not marked in detail.
2. Please contact our sales representative if you need further product information.
3. All specifications are subject to change without prior notice.
4. The product shown in this datasheet is a standard model. For diagrams that contain customized or optional I/O, please contact the Winmate Sales Team for more information.