

R17IT7T-IPM1

17" Intel® Core™ i5 (Tiger Lake) Front IP65 Panel PC



KEY FEATURES

- Intel® Core™ Tiger Lake UP3 i5-1135G7 (Without vPro) / Intel® Core™ Tiger Lake UP3 i5-1145G7E (With vPro)
- 1280 x 1024 Resolution
- Multi display supports DP / HDMI / LVDS / eDP panel interface
- Multiple I/Os, 2 x Serial Ports, 4 x USB 3.2 Gen. 1 Ports
- 12V Single Voltage Power Input
- Front IP65 water and dust proof

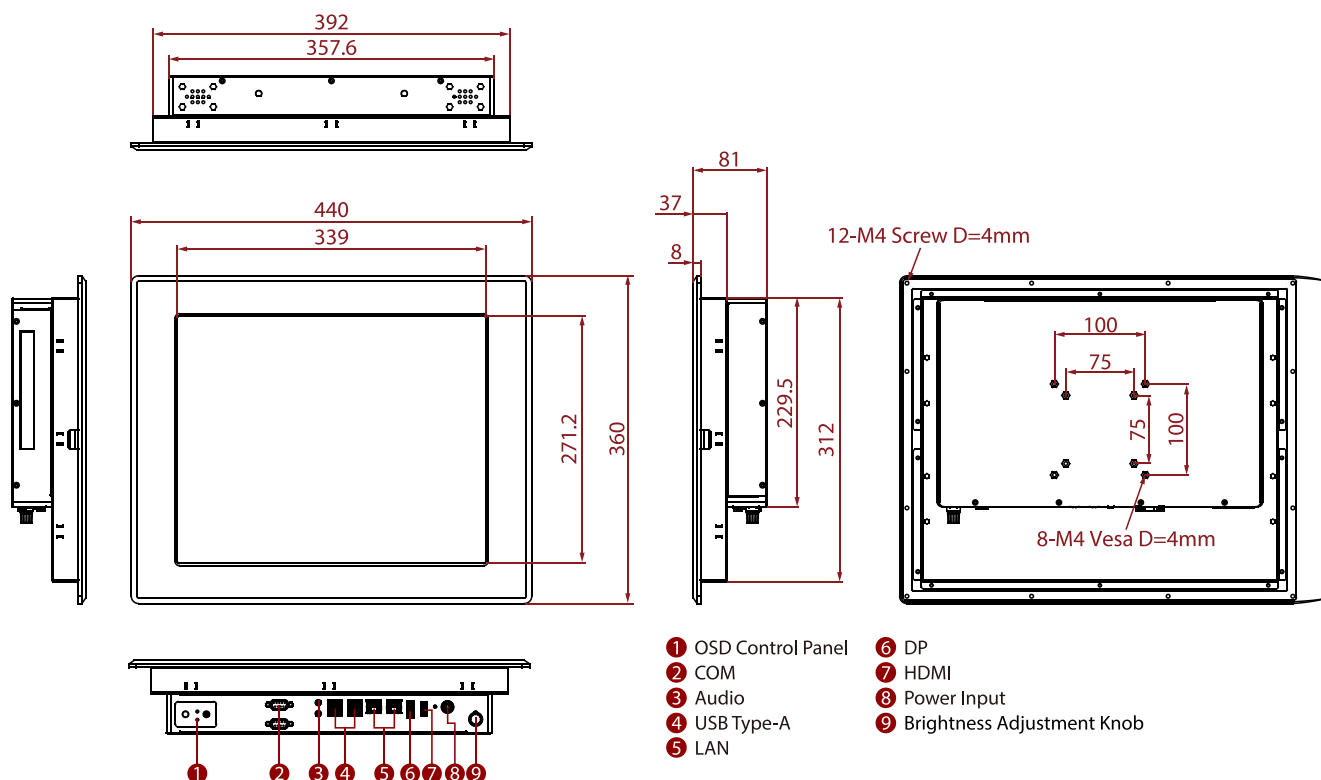


SPECIFICATIONS

Display			
Resolution	1280x1024	Size	17.0 inches
Contrast Ratio	1000:1	Panel Brightness	350.0 nits
View Angles	85,85,80,80	Active Area	337.920x270.336 mm
Touch / Glass	Resistive Touch Screen (Optional) Protection Glass Without Touch Function (Optional)		
System Specification			
WLAN	Support (Optional)	BT	Support (Optional)
Processor	Intel Core i5-1135G7 2.4GHz (up to 4.2GHz)	Memory	1 x SO-DIMM, DDR4 3200 MHz, 4GB 8GB (Optional) 16GB (Optional) 32GB (Optional) 2 x SO-DIMM, DDR4 3200 MHz, 4GB (Optional) 8GB (Optional) 16GB (Optional) 32GB (Optional) 64GB (Optional)
Storage	1 x M.2 M-Key 2242 SATA SSD or 1 x M.2 M-Key 2280 NVMe SSD 128GB 256GB (Optional) 512GB (Optional) 1TB(for NVMe) (Optional) 2TB(for NVMe) (Optional) 4TB(for NVMe) (Optional) 1 x SATA III , up to 2TB (Optional)	Ethernet controller	2 x Intel® Ethernet Controller
Security	TPM 2.0	Operating System	Windows 11 IoT Enterprise (64 bit) (Optional) Windows 11 Pro 64 bit (Optional) Windows 10 IoT Enterprise (64 bit) (Optional) Linux Ubuntu 22.04 (Optional)
Mechanical			
Dimension	440 x 360 x 81 mm	Mounting	Panel mount VESA Mount
Enclosure	Metal Housing	Cooling System	Fanless design
Cut out	394 x 314mm		
Environment			
Operating Humidity	10% to 90% RH, Non-Condensing	Operating Temperature	0°C to 50°C

Storage Temperature	-10°C to 60°C	IP rating	Front IP65
Certification			
Certification	CE, FCC		
IO Ports			
Power Input	1 x 12V DC, Din4 pin connector	USB Port	4 x USB3.2 Gen2x1 (Type-A)
Serial Port	1 x RS232/422/485 (Default RS232) 1 x RS232	Video	1 x DP1.4 1 x HDMI 2.0 (Optional)
Audio	Mic in Line out	Expansion Port	1 x M.2 2242/2280 Key M slot for SATA/NVMe SSD 1 x M.2 2230 Key E slot for WiFi (Optional)
LAN	2 x Giga LAN RJ45 Connector	Indicator	1 x LED Indicator for power 1 x LED Indicator for storage
Brightness Knob	1 x Brightness Adjustment Knob		
Control			
Button	1 x Power Button 1 x Reset Button		
Accessory			
Accessory	100~240V AC to DC Adapter Power Cord VESA screws Mounting clips		
Power			
Power Rating	12V DC	Adapter	12V 120W

DIMENSIONS UNIT:MM



NOTE

1. Measurements shown in mm
 2. Tolerance of all dimensions is shown as follow 0~30 mm \pm 0.1 mm, 30~50 mm \pm 0.15 mm, 50~120 mm \pm 0.2 mm, above 120 mm \pm 0.25 mm
- Note: this is a simplified drawing and some components are not marked in detail.
3. Please, contact our sales representative if you need further product information.
 4. The product shown in this datasheet is a standard model. For diagrams that contain customized or optional I/O, please contact the Winmate Sales Team for more information.