

R19IBWS-MHA1

19" Intel® Atom® E3845 E3845 M Series HMI Panel PC



KEY FEATURES

- Projected Capacitive Multi Touch Screen
- Fanless Design
- Modular design for easy service in the field
- Support wide range 12-24 V DC input
- One Quick & Easy Removable 2.5" SSD Bay Slot

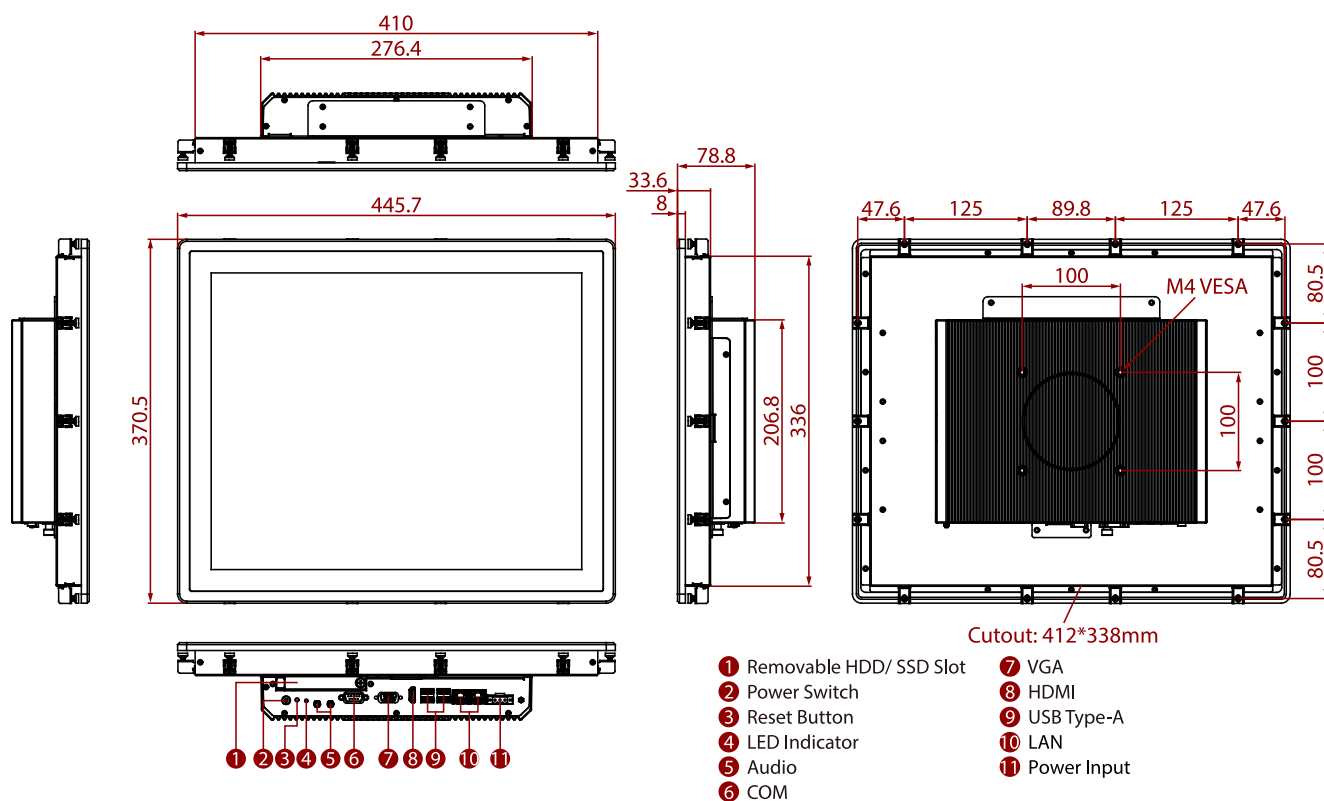


SPECIFICATIONS

Display			
Resolution	1280x1024	Size	19 inches
Contrast Ratio	1000:1	Panel Brightness	400 nits
View Angles	85,85,80,80	Active Area	376.32x301.06 mm
Touch / Glass	Projected Capacitive Multi Touch Screen		
System Specification			
Processor	Intel Atom E3845 1.91GHz	Memory	2 x SO-DIMM, DDR3L 1600 MHz, 4GB 8GB (Optional)
Storage	1 x mSATA 128GB 1 x 2.5" 128GB SSD up to 512GB (Optional)	Ethernet controller	2 x Intel® Ethernet Controller
Security	TPM 1.2	Operating System	Windows 7 Embedded Systems (Optional) Windows 10 IoT Enterprise (64 bit) (Optional) Linux Ubuntu 20.04 (Optional)
WLAN	Support (Optional)	BT	Support (Optional)
Expansion Port	Modular Design for easy service in the field		
Mechanical			
Dimension	445.7 x 370.5 x 78.8 mm	Mounting	Panel mount VESA Mount
Enclosure	Metal Housing	Cooling System	Fanless design
Cut out	412 x 338mm		
Environment			
Operating Humidity	10% to 90% RH, Non-Condensing	Operating Temperature	0°C to 50°C
Storage Temperature	-10°C to 60°C	IP rating	Front IP65
Certification			
Certification	CE, FCC		
IO Ports			
Power Input	1 x 12~24V DC, 3-Pin Terminal Block	USB Port	4 x USB2.0 (Type-A)
Serial Port	1 x RS232/422/485 (Default RS232)	Video	1 x HDMI 1.4 (Optional) 1 x VGA (Optional)
Audio	Line in Line out	Expansion Port	1 x mPCIe slot(for half size Wifi module) Swappable 2.5" HDD/SSD Bay Slot

LAN	2 x Giga LAN RJ45 Connector	Indicator	1 x LED Indicator for storage
mini PCIe	1 x Mini PCIe(For WLAN)		
Control			
Button	1 x Power Button with LED Indicator 1 x Reset Button		
Accessory			
Accessory	100~240V AC to DC Adapter Power Cord Open Wire Cable with terminal block connector Mounting clips VESA screws		
Power			
Power Rating	12V~24V DC with protection fuse	Adapter	12V 80W

DIMENSIONS UNIT:MM



NOTE

1. This is a simplified drawing and some components are not marked in detail.
2. The product shown in this datasheet is a standard model. For diagrams that contain customized or optional I/O, please contact the Winmate Sales Team for more information.
3. All specifications are subject to change without prior notice.