

R19IP3S-GCM1

19" Intel® Pentium® N4200 G-WIN GC-Series Front IP65 PCAP Panel PC



KEY FEATURES

- 19" 1280 x 1024 with P-CAP touchscreen
- Intel® Pentium® N4200 Apollo Lake Processor
- Fanless cooling system and ultra low power consumption
- Front IP65 for protection against water and dust
- A true flat, easy-to-clean front surface with edge-to-edge design

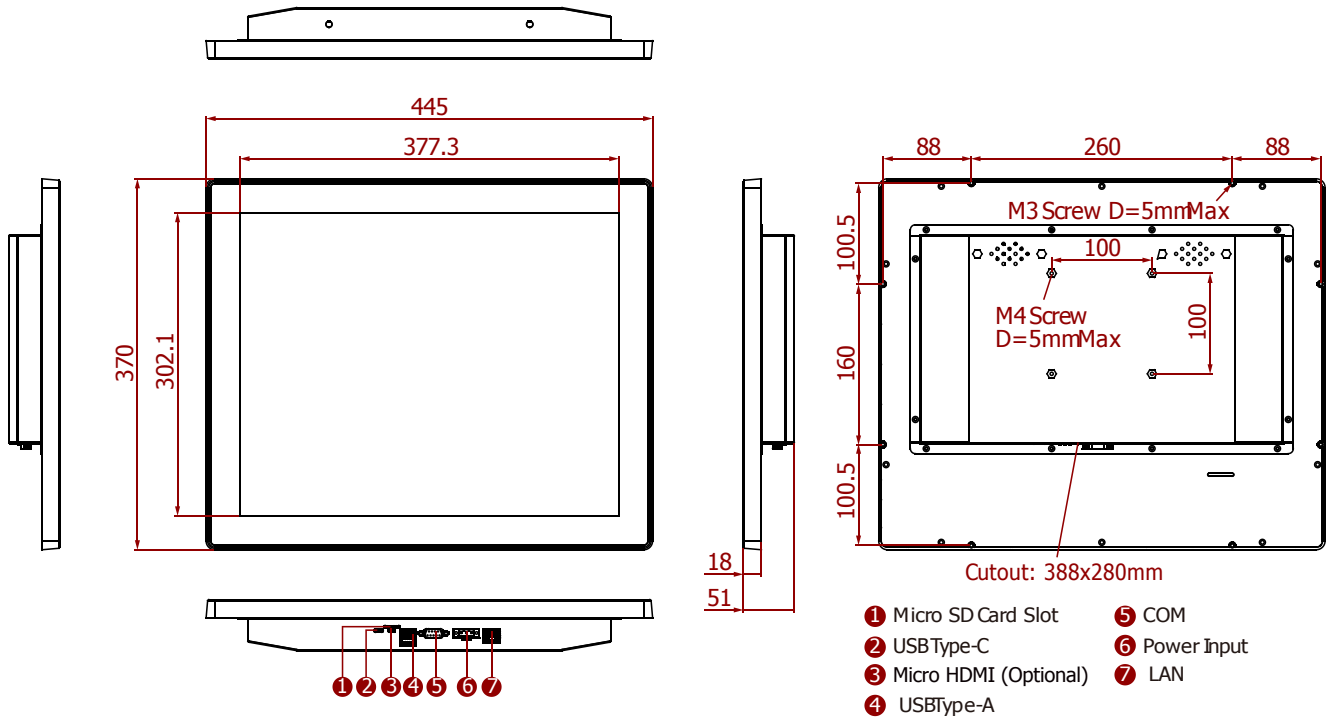


SPECIFICATIONS

Display			
Resolution	1280x1024	Size	19 inches
Contrast Ratio	1000:1	Panel Brightness	250 nits
View Angles	85,85,80,80	Active Area	376.32x301.06 mm
Touch / Glass	Projected Capacitive Multi Touch Screen		
System Specification			
Processor	Intel® Pentium® N4200 (2M Cache, up to 2.5 GHz)	Memory	1 x SO-DIMM, DDR3L 1600 MHz, 4GB 8GB (Optional)
Storage	1 x M.2 B-Key 2242 SSD 64GB M.2 B-Key 2242 SSD up to 512GB (Optional)	Ethernet controller	2 x Intel® 2.5Gbps Ethernet Controller
Security	TPM 2.0	Operating System	Windows 10 IoT Enterprise (Optional) Linux Ubuntu 18.04 (Optional)
WLAN	Support (Optional)	BT	Support (Optional)
Environment			
Operating Humidity	10% to 90% (Non-Condensing)	Operating Temperature	0~50°C
Storage Temperature	-20~60°C	Shock	MIL-STD-810G Method 516.6
Vibration	MIL-STD-810G Method 514.6	IP rating	Front IP65
Certification			
Certification	CE, FCC		
IO Ports			
USB Port	2 x USB 3.0	Serial Port	1 x RS-232/422/485
LAN	1 x RJ-45-10/100/1000 Mbps, 1 x RJ-45		
Mechanical			
Dimension	445 x 370 x 51 mm	Mounting	VESA Mount (100x100mm), Panel Mount
Enclosure	Metal Housing with Plastic Bezel		
Cooling System	Fanless Design		
Accessory			
Accessory	Quick Start Guide(Hardcopy) Driver CD & User Manual AC Adapter 12V/50W Power Cord		

Control	
Button	1 x Power Button 1 x Reset Button
Power	
Power Rating	12V DC with Terminal Block

DIMENSIONS UNIT:MM



NOTE

1. This is a simplified drawing and some components are not marked in detail.
2. Please contact our sales representative if you need further product information.
3. All specifications are subject to change without prior notice.
4. The product shown in this datasheet is a standard model. For diagrams that contain customized or optional I/O, please contact the Winmate Sales Team for more information.