

# R19IP7T-PMA1

## 19" Intel® Pentium® N4200 Panel Mount Panel PC



### KEY FEATURES

- Intel® Pentium® N4200 Apollo Lake Processor 1.10 GHz
- Flexible storage devices, one 2.5-inch HDD and one SSD socket
- Multiple I/Os, 2 x Serial Ports, 4 x USB 3.0 Ports
- 12 V DC Power input
- DP Support 4096 x 2160 @ 60 Hz
- HDMI Support 3840 x 2160 @ 30 Hz

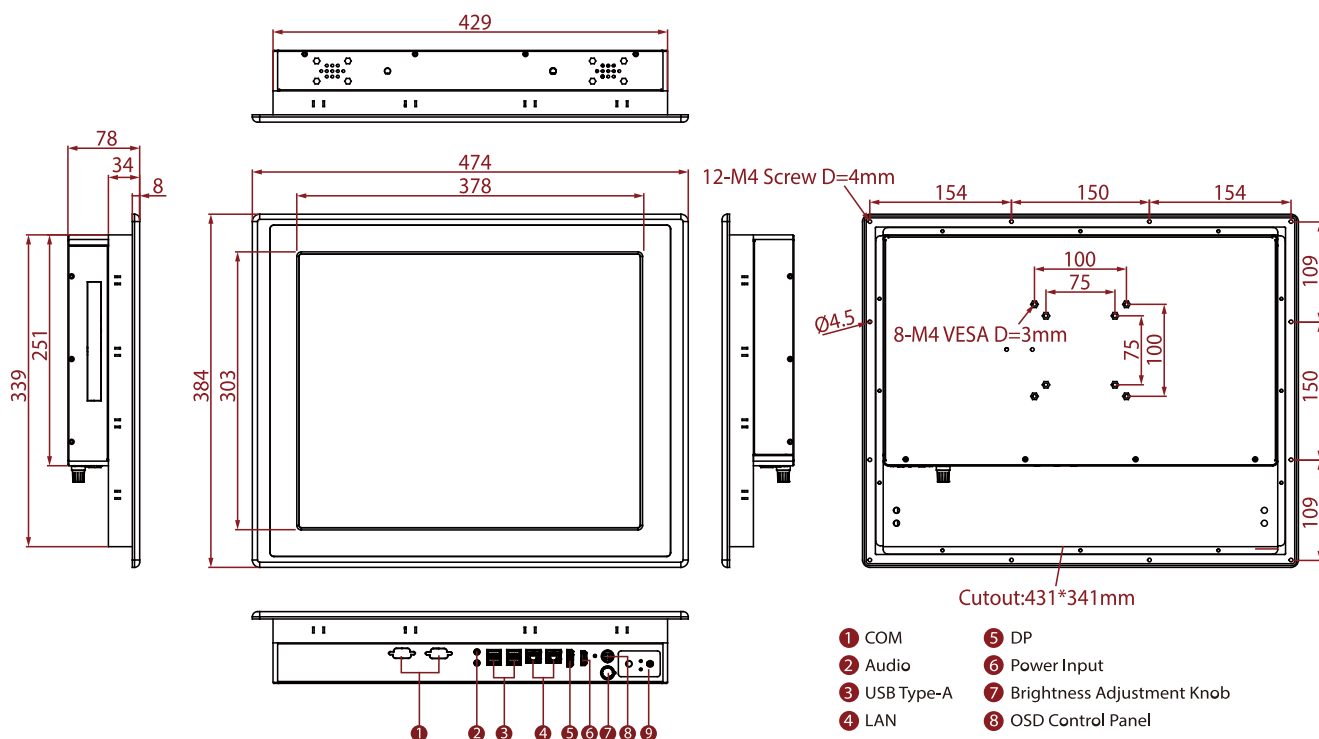


### SPECIFICATIONS

Display	
<b>Resolution</b>	1280x1024
<b>Contrast Ratio</b>	1000:1
<b>View Angles</b>	85,85,80,80
<b>Touch / Glass</b>	Resistive Touch Screen (Optional) Protection Glass Without Touch Function (Optional)
<b>Size</b>	19.0 inches
<b>Panel Brightness</b>	400.0 nits
<b>Active Area</b>	376.32x301.06 mm
System Specification	
<b>Processor</b>	Intel Pentium N4200 1.1GHz (up to 2.5GHz)
<b>Storage</b>	1 x M.2 2242 SSD 128GB M.2 2242 SSD up to 512GB (Optional)
<b>Security</b>	TPM 2.0
<b>WLAN</b>	Support (Optional)
<b>Memory</b>	2 x SODIMM, DDR3L 1866 MHz, 4GB 8GB (Optional)
<b>Ethernet controller</b>	2 x Intel® Ethernet Controller
<b>Operating System</b>	Windows 10 IoT Enterprise (64 bit) (Optional) Linux Ubuntu 20.04 (Optional)
<b>BT</b>	Support (Optional)
Mechanical	
<b>Dimension</b>	474 x 384 x 78 mm
<b>Enclosure</b>	Metal Housing
<b>Cut out</b>	431 x 341mm
<b>Mounting</b>	Panel mount VESA Mount
<b>Cooling System</b>	Fanless design
Environment	
<b>Operating Humidity</b>	10% to 90% RH, Non-Condensing
<b>Storage Temperature</b>	-10°C to 60°C
<b>Operating Temperature</b>	0°C to 50°C
Certification	
<b>Certification</b>	CE, FCC
IO Ports	
<b>Power Input</b>	1 x 12V DC, Din4 pin connector
<b>Serial Port</b>	1 x RS232/422/485 (Default RS232) 1 x RS232
<b>Audio</b>	1 x Mic in
<b>USB Port</b>	4 x USB3.2 Gen1x1 (Type-A)
<b>Video</b>	1 x DP1.2 1 x HDMI 1.4 (Optional) 1 x VGA (Optional)
<b>Expansion Port</b>	2 x M.2 slot(1 for WiFi, 1 for SSD)

	1 x Line out 2 x Speaker		1 x PCIe 2.0 x1 (Optional)
<b>LAN</b>	2 x Giga LAN RJ45 Connector	<b>Indicator</b>	1 x LED Indicator for power 1 x LED Indicator for storage
<b>Brightness Knob</b>	1 x Brightness Adjustment Knob		
<b>Control</b>			
<b>Button</b>	1 x Power Button 1 x Reset Button		
<b>Accessory</b>			
<b>Accessory</b>	100~240V AC to DC Adapter Power Cord VESA screws Mounting clips		
<b>Power</b>			
<b>Power Rating</b>	12V DC	<b>Adapter</b>	12V 84W

## DIMENSIONS UNIT:MM



## NOTE

1. This is a simplified drawing and some components are not marked in detail.
2. Please contact our sales representative if you need further product information.
3. All specifications are subject to change without prior notice.
4. The product shown in this datasheet is a standard model. For diagrams that contain customized or optional I/O, please contact the Winmate Sales Team for more information.