

# R19IT7T-OFA1

## 19" Intel® Core™ i5 (Tiger Lake) Open Frame Panel PC



### KEY FEATURES

- Intel® Core™ Tiger Lake UP3 i5-1135G7 (Without vPro) / Intel® Core™ Tiger Lake UP3 i5-1145G7E (With vPro)
- 1280x1024 Resolution
- Multi display supports DP / HDMI / LVDS / eDP panel interface
- Multiple I/Os, 2 x Serial Ports, 4 x USB 3.2 Gen. 1 Ports
- 12V Single Voltage Power Input

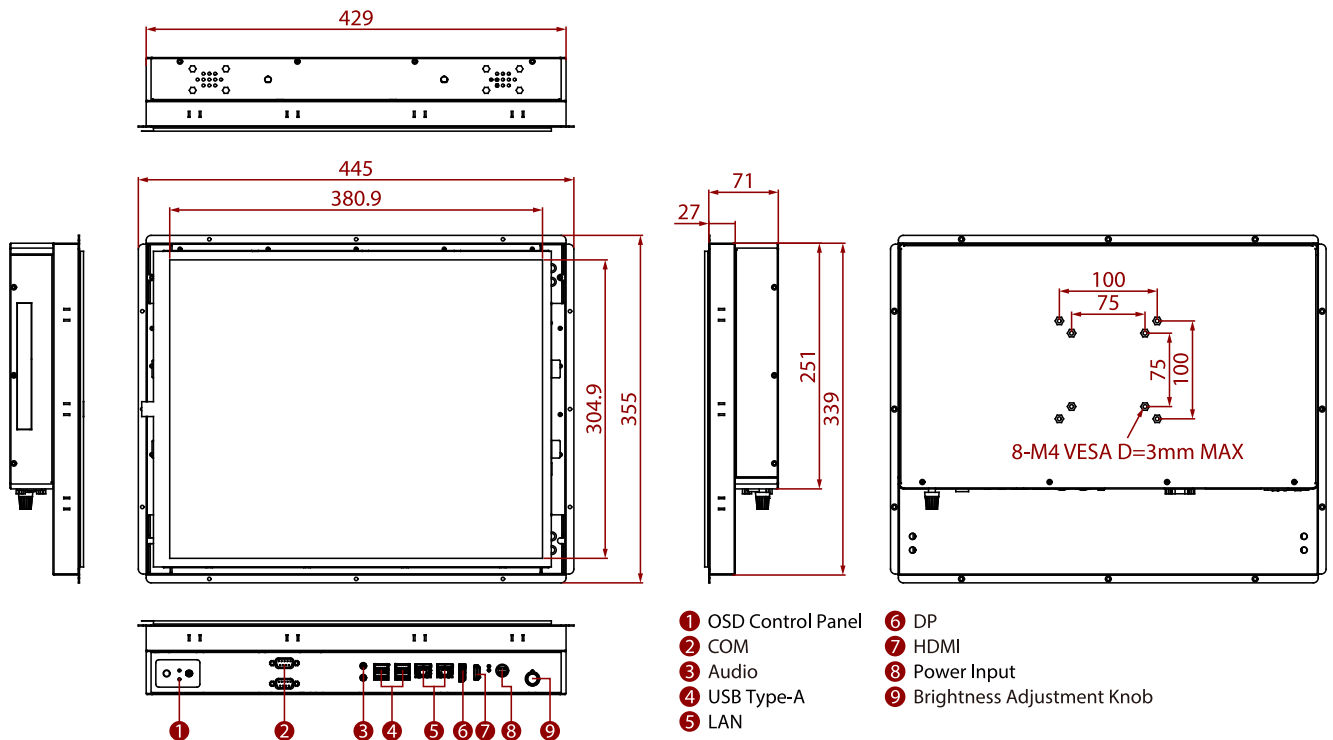


### SPECIFICATIONS

Display			
<b>Resolution</b>	1280x1024	<b>Size</b>	19.0 inches
<b>Contrast Ratio</b>	1000:1	<b>Panel Brightness</b>	400.0 nits
<b>View Angles</b>	85,85,80,80	<b>Active Area</b>	376.32x301.06 mm
<b>Touch / Glass</b>	Resistive Touch Screen (Optional) Protection Glass Without Touch Function (Optional)		
System Specification			
<b>WLAN</b>	Support (Optional)	<b>BT</b>	Support (Optional)
<b>Processor</b>	Intel Core i5-1135G7 2.4GHz (up to 4.2GHz)	<b>Memory</b>	1 x SO-DIMM, DDR4 3200 MHz, 4GB 8GB (Optional) 16GB (Optional) 32GB (Optional) 2 x SO-DIMM, DDR4 3200 MHz, 4GB (Optional) 8GB (Optional) 16GB (Optional) 32GB (Optional) 64GB (Optional)
<b>Storage</b>	1 x M.2 M-Key 2242 SATA SSD or 1 x M.2 M-Key 2280 NVMe SSD 128GB 256GB (Optional) 512GB (Optional) 1TB(for NVMe) (Optional) 2TB(for NVMe) (Optional) 4TB(for NVMe) (Optional) 1 x SATA III , up to 2TB (Optional)	<b>Ethernet controller</b>	2 x Intel® Ethernet Controller
<b>Security</b>	TPM 2.0	<b>Operating System</b>	Windows 11 IoT Enterprise (64 bit) (Optional) Windows 11 Pro 64 bit (Optional) Windows 10 IoT Enterprise (64 bit) (Optional) Linux Ubuntu 22.04 (Optional)
Mechanical			
<b>Dimension</b>	445 x 355 x 71 mm	<b>Mounting</b>	Open Frame Panel Mount VESA Mount
<b>Enclosure</b>	Metal Housing	<b>Cooling System</b>	Fanless design
Environment			
<b>Operating Humidity</b>	10% to 90% RH, Non-Condensing	<b>Operating Temperature</b>	0°C to 50°C

<b>Storage Temperature</b>	-10°C to 60°C		
<b>Certification</b>	CE, FCC		
<b>IO Ports</b>			
<b>Power Input</b>	1 x 12V DC, Din4 pin connector	<b>USB Port</b>	4 x USB3.2 Gen2x1 (Type-A)
<b>Serial Port</b>	1 x RS232/422/485 (Default RS232) 1 x RS232	<b>Video</b>	1 x DP1.4 1 x HDMI 2.0 (Optional)
<b>Audio</b>	Mic in Line out	<b>Expansion Port</b>	1 x M.2 2242/2280 Key M slot for SATA/NVMe SSD 1 x M.2 2230 Key E slot for WiFi (Optional)
<b>LAN</b>	2 x Giga LAN RJ45 Connector	<b>Indicator</b>	1 x LED Indicator for power 1 x LED Indicator for storage
<b>Brightness Knob</b>	1 x Brightness Adjustment Knob		
<b>Control</b>			
<b>Button</b>	1 x Power Button 1 x Reset Button		
<b>Accessory</b>			
<b>Accessory</b>	100~240V AC to DC Adapter Power Cord VESA screws		
<b>Power</b>			
<b>Power Rating</b>	12V DC	<b>Adapter</b>	12V 120W

## DIMENSIONS UNIT:MM



## NOTE

1. This is a simplified drawing and some components are not marked in detail.
2. Please contact our sales representative if you need further product information.
3. All specifications are subject to change without prior notice.
4. The product shown in this datasheet is a standard model. For diagrams that contain customized or optional I/O, please contact the Winmate Sales Team for more information.