

W07FA3S-PC01-POE

7" NXP i.MX6 S Series HMI Panel PC



KEY FEATURES

- 7" 1024 x 600 Resolution with Projected Capacitive Multi-Touch (PCAP)
- Fanless cooling system and ultra-low power consumption
- Support PoE
- Optional 2MP Front Camera
- Optional HF RFID Reader
- Stylish design for room booking, access control and room information applications

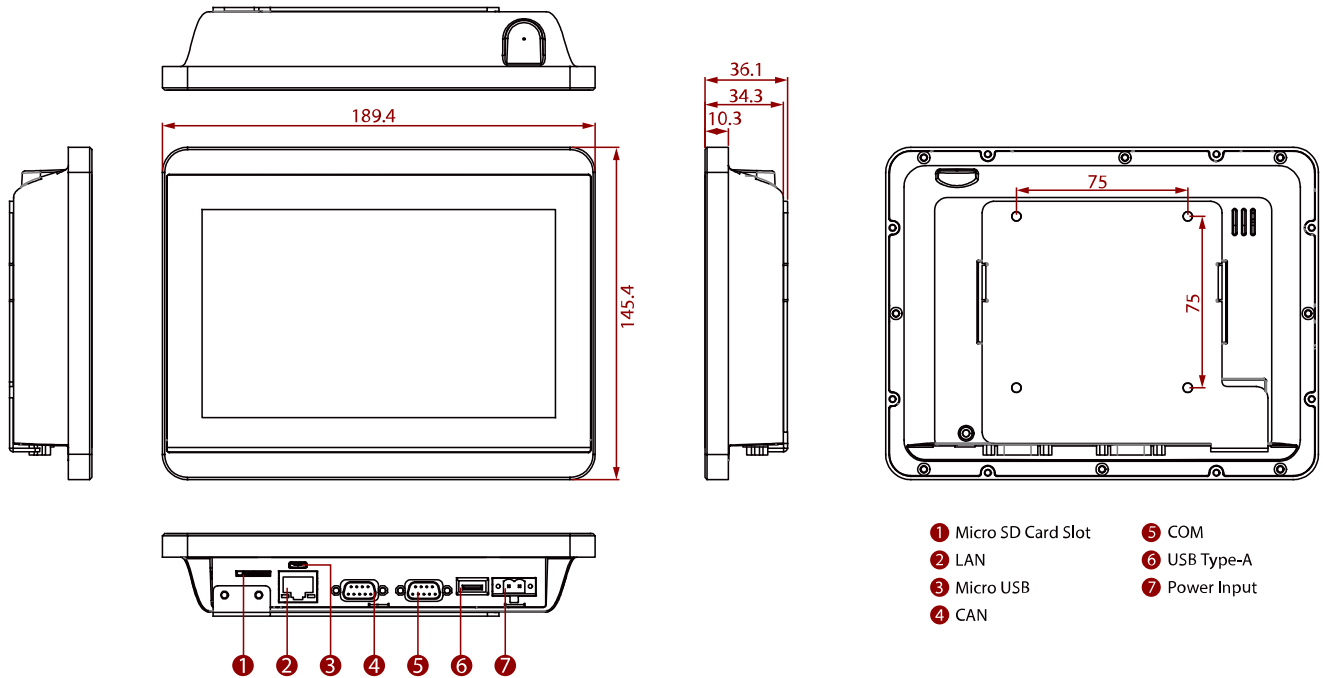


SPECIFICATIONS

| Display | | | |
|----------------------------|---|------------------------------|--|
| Resolution | 1024x600 | Size | 7.0 inches |
| Contrast Ratio | 700:1 | Panel Brightness | 1000.0 nits |
| View Angles | 75,75,75,70 | Active Area | 153.6x90 mm |
| Touch / Glass | Projected Capacitive Multi Touch Screen | | |
| System Specification | | | |
| Processor | NXP i.MX6 Dual Core, 1.0GHz | Memory | 1GB 2GB (Optional) |
| Storage | eMMC: Onboard 16 GB eMMC: Onboard 32 GB (Optional) | Operating System | Linux Ubuntu 18.04 (Optional) Android 6.0 (Optional) Debian 7.0 (Optional) Linux 4.1.15 QT 5.5 (Optional) |
| WLAN | Support (Optional) | BT | Support (Optional) |
| RFID | HF RFID Reader 13.56 MHz (Optional) | | |
| Mechanical | | | |
| Dimension | 189.4 x 145.4 x 36.1 mm | Mounting | Panel mount VESA Mount |
| Enclosure | Metal Housing | Cooling System | Fanless design |
| Cut out | 175.5x131.5mm | | |
| Environment | | | |
| Operating Humidity | 10% to 90% RH, Non-Condensing | Operating Temperature | 0°C to 50°C |
| Storage Temperature | -10°C to 60°C | IP rating | Front IP65 |
| Certification | | | |
| Certification | CE, FCC | | |
| IO Ports | | | |
| Power Input | 1 x 12V DC, 2-Pin Terminal Block | USB Port | 1 x Console Port (Mini USB) 1 x USB OTG 1 x USB2.0 (Type-A) |
| Serial Port | 1 x RS232/422/485 (Default RS232) | SD Card Slot | 1 x Micro SD card slot |
| Video | 1 x Micro HDMI (Optional) | Audio | 1 x Speaker |
| Expansion Port | 1 x mPCIe slot(for half size Wifi module) | LAN | 1 x LAN RJ45 Connector with PoE(PD, 802.3 at) |

| | | | |
|---------------------|--|---------------------------|---|
| CANBUS | 1 x CANBUS, D-sub9 | | |
| Accessory | | | |
| Accessory | 100~240V AC to DC Adapter Power Cord Terminal Block to 2.5Ø Female Adapter Cable Open Wire Cable with terminal block connector VESA screws | Optional Accessory | VESA Wall Mount (Optional) VESA Desk Stand (Optional) Glass Wall Mount Kit (Optional) Front Side Wall Mount (Optional) VESA bracket mounting kit (Optional) |
| Power | | | |
| Power Rating | 12V DC | Adapter | 12V 50W |
| POE | PoE (PD): follows IEEE 802.3at (25 W) | | |

DIMENSIONS UNIT:MM



NOTE

1. This is a simplified drawing and some components are not marked in detail.
2. The product shown in this datasheet is a standard model. For diagrams that contain customized or optional I/O, please contact the Winmate Sales Team for more information.
3. All specifications are subject to change without prior notice.