

# W07FA3S-PCT1-POE

7" NXP i.MX6 S Series HMI Panel PC



## KEY FEATURES

- 7" 1024 x 600 Resolution with Projected Capacitive Multi-Touch (PCAP)
- Fanless cooling system and ultra-low power consumption
- Support PoE
- Optional 2MP Front Camera
- Optional HF RFID Reader
- Stylish design for room booking, access control and room information applications

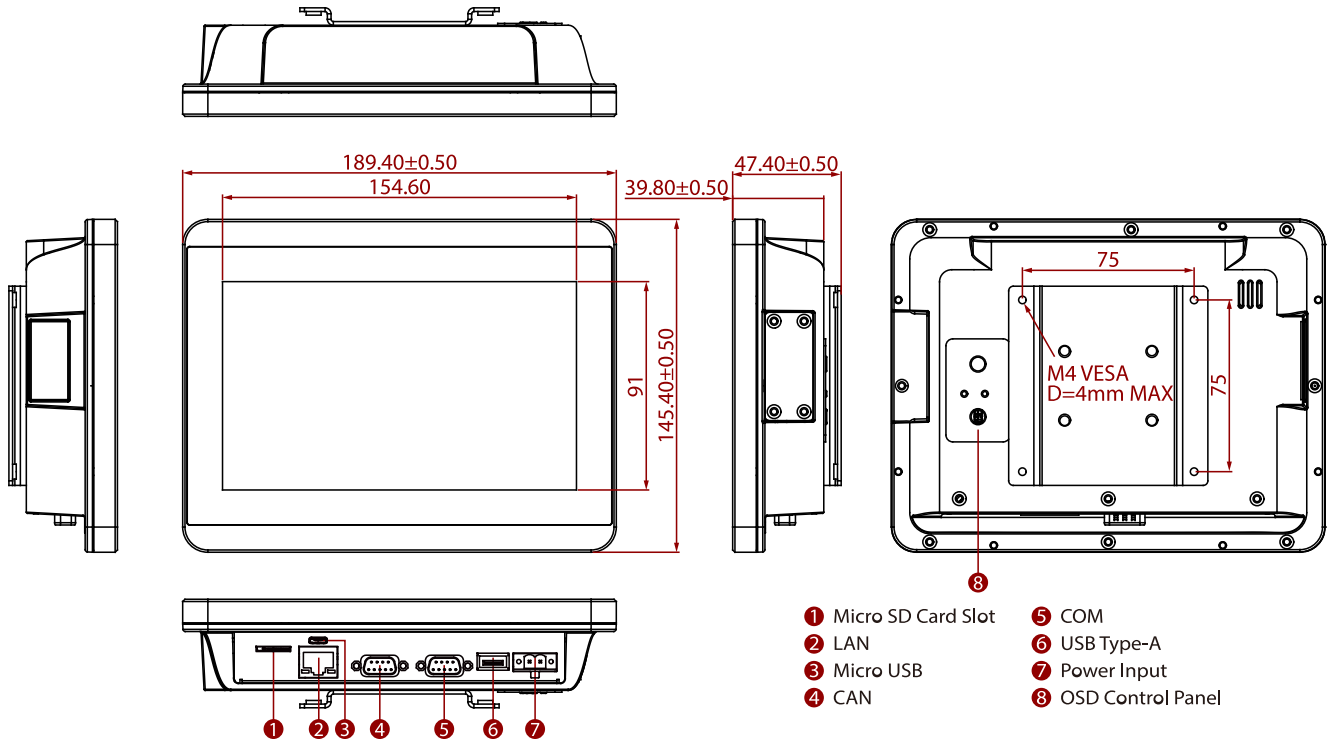


## SPECIFICATIONS

Display			
<b>Resolution</b>	1024x600	<b>Size</b>	7.0 inches
<b>Contrast Ratio</b>	1000:1	<b>Panel Brightness</b>	320.0 nits
<b>View Angles</b>	75,75,75,70	<b>Active Area</b>	153.6x90 mm
<b>Touch / Glass</b>	Projected Capacitive Multi Touch Screen		
System Specification			
<b>Processor</b>	NXP i.MX6 Dual Core, 1.0GHz	<b>Memory</b>	1GB 2GB (Optional)
<b>Storage</b>	eMMC: Onboard 16 GB eMMC: Onboard 32 GB (Optional)	<b>Operating System</b>	Linux Ubuntu 18.04 (Optional) Android 6.0 (Optional) Debian 7.0 (Optional) Linux 4.1.15 QT 5.5 (Optional)
<b>WLAN</b>	Support (Optional)	<b>BT</b>	Support (Optional)
<b>RFID</b>	HF RFID Reader 13.56 MHz (Optional)		
Mechanical			
<b>Dimension</b>	189.4 x 145.4 x 36.1 mm	<b>Mounting</b>	Panel mount VESA Mount
<b>Enclosure</b>	Metal Housing	<b>Cooling System</b>	Fanless design
<b>Cut out</b>	175.5x131.5mm		
Environment			
<b>Operating Humidity</b>	10% to 90% RH, Non-Condensing	<b>Operating Temperature</b>	0°C to 50°C
<b>Storage Temperature</b>	-10°C to 60°C	<b>IP rating</b>	Front IP65
Certification			
<b>Certification</b>	CE, FCC		
IO Ports			
<b>Power Input</b>	1 x 12V DC, 2-Pin Terminal Block	<b>USB Port</b>	1 x Console Port (Mini USB) 1 x USB OTG 1 x USB2.0 (Type-A)
<b>Serial Port</b>	1 x RS232/422/485 (Default RS232)	<b>SD Card Slot</b>	1 x Micro SD card slot
<b>Video</b>	1 x Micro HDMI (Optional)	<b>Audio</b>	1 x Speaker
<b>Expansion Port</b>	1 x mPCIe slot(for half size Wifi module)	<b>LAN</b>	1 x LAN RJ45 Connector with PoE(PD, 802.3 at)

<b>CANBUS</b>	1 x CANBUS, D-sub9		
<b>Accessory</b>			
<b>Accessory</b>	100~240V AC to DC Adapter Power Cord Terminal Block to 2.5Ø Female Adapter Cable Open Wire Cable with terminal block connector VESA screws	<b>Optional Accessory</b>	VESA Wall Mount (Optional) VESA Desk Stand (Optional) Glass Wall Mount Kit (Optional) Front Side Wall Mount (Optional) VESA bracket mounting kit (Optional)
<b>Power</b>			
<b>Power Rating</b>	12V DC	<b>Adapter</b>	12V 50W
<b>POE</b>	PoE (PD): follows IEEE 802.3at (25 W)		

**DIMENSIONS** UNIT:MM



**NOTE**

1. This is a simplified drawing and some components are not marked in detail.
2. The product shown in this datasheet is a standard model. For diagrams that contain customized or optional I/O, please contact the Winmate Sales Team for more information.
3. All specifications are subject to change without prior notice.