

# W07IB3S-PCT1AC-POE

## 7" Intel® Celeron® N2930 S Series HMI Panel PC



### KEY FEATURES

- 7" 1024x600 resolution, Projected Capacitive Multi-Touch (PCAP)
- Fanless cooling system and ultra-low power consumption
- Dual Gigabit Ethernet
- RGB LED Light Bar
- Front IP65 and full IP22 ratings
- Optional 2MP Front Camera
- Optional HF RFID Reader
- Support PoE function
- Stylish design for room booking, access control and room information applications

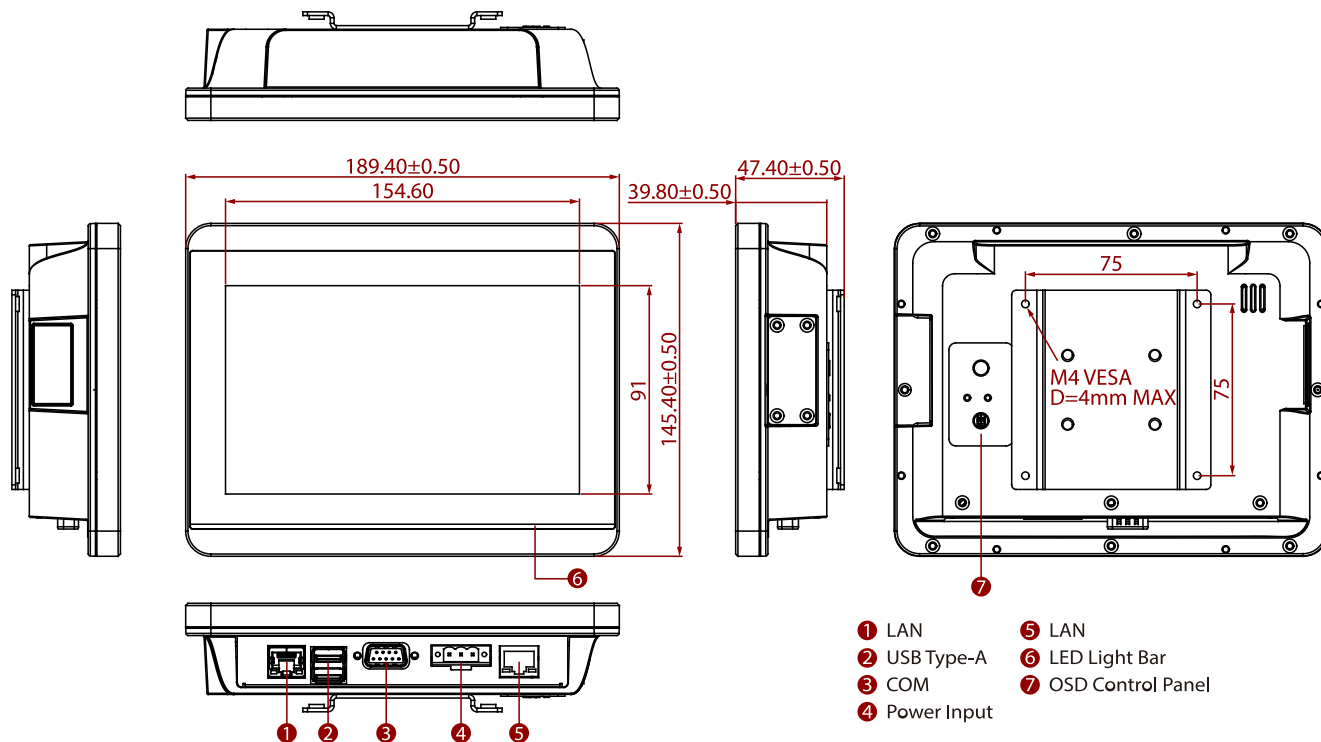


### SPECIFICATIONS

Display			
<b>Resolution</b>	1024x600	<b>Size</b>	7.0 inches
<b>Contrast Ratio</b>	1000:1	<b>Panel Brightness</b>	320.0 nits
<b>View Angles</b>	75,75,75,70	<b>Active Area</b>	153.6x90 mm
<b>Touch / Glass</b>	Projected Capacitive Multi Touch Screen		
System Specification			
<b>Processor</b>	Intel Celeron N2930 1.83GHz (up to 2.16GHz)	<b>Memory</b>	1 x SO-DIMM, DDR3L 1600 MHz, 4GB 8GB (Optional)
<b>Storage</b>	1 x M.2 2242 B-key SSD 128GB. M.2 2242 B-key SSD up to 512GB. (Optional)	<b>Ethernet controller</b>	2 x Intel® Ethernet Controller
<b>Operating System</b>	Windows 10 IoT Enterprise (64 bit) (Optional) Linux Ubuntu 20.04 (Optional)	<b>WLAN</b>	Support (Optional)
<b>BT</b>	Support (Optional)	<b>RFID</b>	HF RFID Reader 13.56 MHz (Optional)
<b>Light Bar</b>	Built-in RGB LED Status Light Bar, on both sides		
Mechanical			
<b>Dimension</b>	189.4 x 145.4 x 36.1 mm	<b>Mounting</b>	Panel mount VESA Mount
<b>Enclosure</b>	Metal Housing	<b>Cooling System</b>	Fanless design
<b>Cut out</b>	175.5x131.5mm		
Environment			
<b>Operating Humidity</b>	10% to 90% RH, Non-Condensing	<b>Operating Temperature</b>	0°C to 50°C
<b>Storage Temperature</b>	-10°C to 60°C	<b>IP rating</b>	Front IP65
Certification			
<b>Certification</b>	CE, FCC		
IO Ports			
<b>Power Input</b>	1 x 12V DC, 3-Pin Terminal Block	<b>USB Port</b>	1 x USB3.2 Gen1x1 (Type-A) 1 x USB2.0 (Type-A)
<b>Serial Port</b>	1 x RS232/422/485 (Default RS232)	<b>Audio</b>	1 x Speaker

<b>Expansion Port</b>	2 x M.2 slot(1 for WiFi, 1 for SSD)	<b>LAN</b>	2 x Giga LAN RJ45 Connector, One with PoE(PD, 802.3at)(Optional)
<b>Accessory</b>			
<b>Accessory</b>	100~240V AC to DC Adapter Power Cord Terminal Block to 2.5Ø Female Adapter Cable Open Wire Cable with terminal block connector VESA screws	<b>Optional Accessory</b>	VESA Wall Mount (Optional) VESA Desk Stand (Optional) Glass Wall Mount Kit (Optional) Front Side Wall Mount (Optional) VESA bracket mounting kit (Optional)
<b>Power</b>			
<b>Power Rating</b>	12V DC 10~60V (Optional)	<b>Adapter</b>	12V 50W
<b>POE</b>	PoE (PD): follows IEEE 802.3at (25 W)		

## DIMENSIONS UNIT:MM



## NOTE

1. This is a simplified drawing and some components are not marked in detail.
2. The product shown in this datasheet is a standard model. For diagrams that contain customized or optional I/O, please contact the Winmate Sales Team for more information.
3. All specifications are subject to change without prior notice.