

W07IM3S-GSO1

7" ARM A53 G-WIN GS-Series Full IP65 PCAP Panel PC



KEY FEATURES

- 7" 1024 x 600 with PCAP touchscreen
- ARM A53 Quad Core 2.0GHz
- Fanless cooling system and Ultralow power consumption
- Full IP65
- Onboard 32GB eMMC
- Onboard LPDDR4 4GB
- 1 x LAN, 1 x RS232, 1 x USB, 1 x Micro USB, 1 x Micro SD
- Support Android or Linux operating system

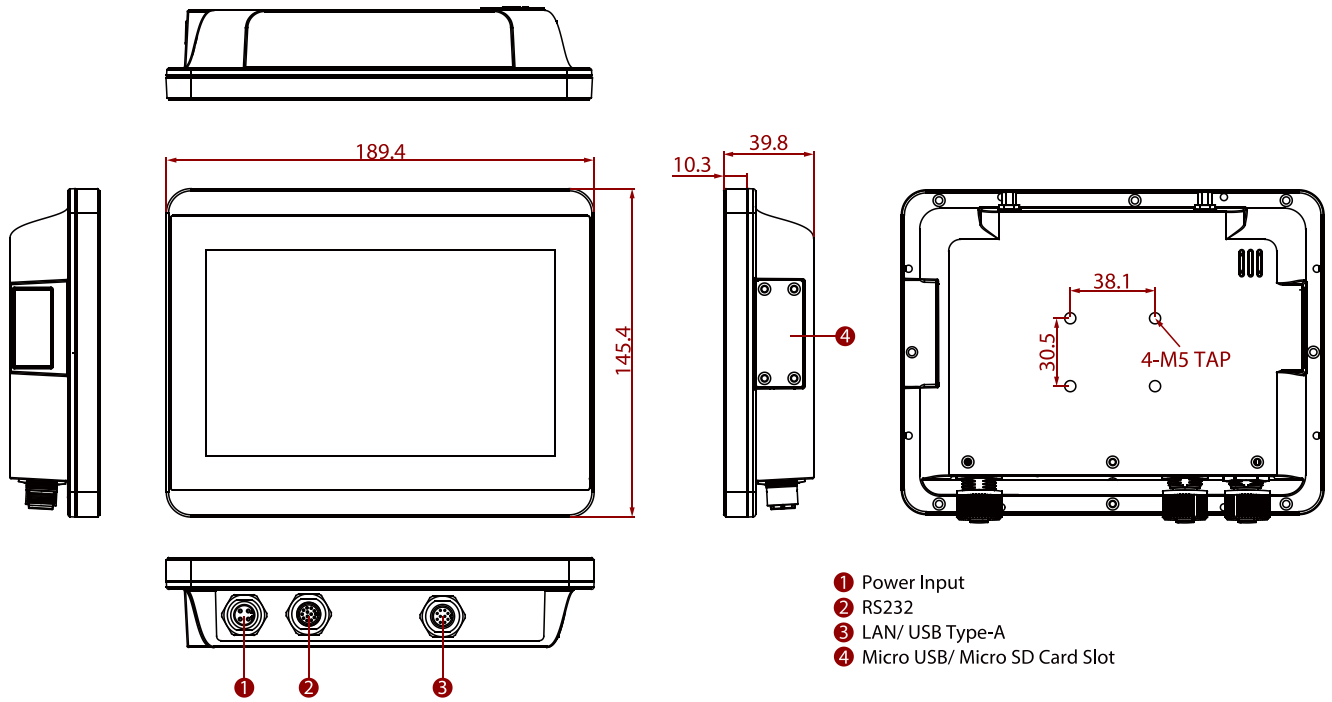


SPECIFICATIONS

| Display | | | |
|----------------------|---|-----------------------|---|
| Resolution | 1024x600 | Size | 7 inches |
| Contrast Ratio | 700:1 | Panel Brightness | 1000 nits |
| View Angles | 75,75,75,70 | Active Area | 153.6x90 mm |
| Touch / Glass | Projected Capacitive Multi Touch Screen | | |
| System Specification | | | |
| Processor | ARM A53 Quad Core 2.0GHz | Memory | 4GB LPDDR4 |
| Storage | 32GB eMMC | Operating System | Android 11 (Upgradeable to Android 13) Linux Yocto 5.10.104 with QT 5.15 (Optional) Linux Ubuntu (in 2023) (Optional) |
| Environment | | | |
| Operating Humidity | 10% to 95% RH | Operating Temperature | -15°C~55°C |
| Storage Temperature | -30°C~60°C | Shock | 40g for 11ms |
| Vibration | 1.48/1.90/2.24 g rms for XYZ/ 5-500Hz | IP rating | Full IP65 |
| Certification | | | |
| Certification | CE, FCC | | |
| IO Ports | | | |
| USB Port | 1 X USB 2.0 (M12 type) 1 X Micro USB | Serial Port | 1 x RS232 (M12 type)(Optional 422/485) |
| SD Card Slot | 1 x Micro SD card slot (Max to 32GB) | Audio | 1 x Speaker |
| LAN | 1 x LAN 10/100/1000 Mbps (M12 type) | | |
| Mechanical | | | |
| Dimension | 189.4 x 145.4 x 39.8 mm | Mounting | Panel Mount VESA Mount |
| Enclosure | Metal Housing with Aluminum Bezel | | |
| Cooling System | Fanless Design | | |
| Power | | | |
| Power Rating | 9V~24V DC (M12 type) | | |
| Accessory | | | |
| Accessory | Quick Start Guide (Hardcopy) | | |

M12 Power Cable
M12 Serial Interface Cable
M12 USB/ LAN Cable
I/O Protective Cap x 3

DIMENSIONS UNIT:MM



NOTE

1. This is a simplified drawing and some components are not marked in detail.
2. Please contact our sales representative if you need further product information.
3. All specifications are subject to change without prior notice.
4. The product shown in this datasheet is a standard model. For diagrams that contain customized or optional I/O, please contact the Winmate Sales Team for more information.