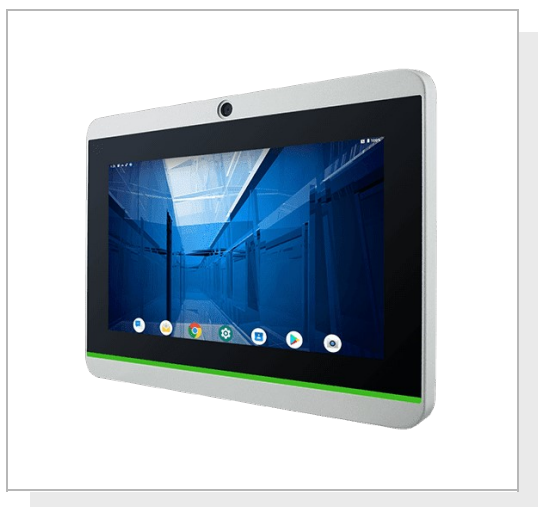


# W07IM3S-PC01AC-POE

## 7" ARM A53 S Series HMI Panel PC



### KEY FEATURES

- 7" 1024 x 600 Resolution with Projected Capacitive Multi-Touch (P-CAP)
- Fanless cooling system and ultralow power consumption
- Support PoE function
- Optional 2MP Front Camera
- Optional HF RFID Reader
- Stylish design for room booking, access control, and room information applications
- Front IP65 Water and Dust Proof
- Built-in RGB LED Light Bar Indicator
- Support Android or Linux operating system

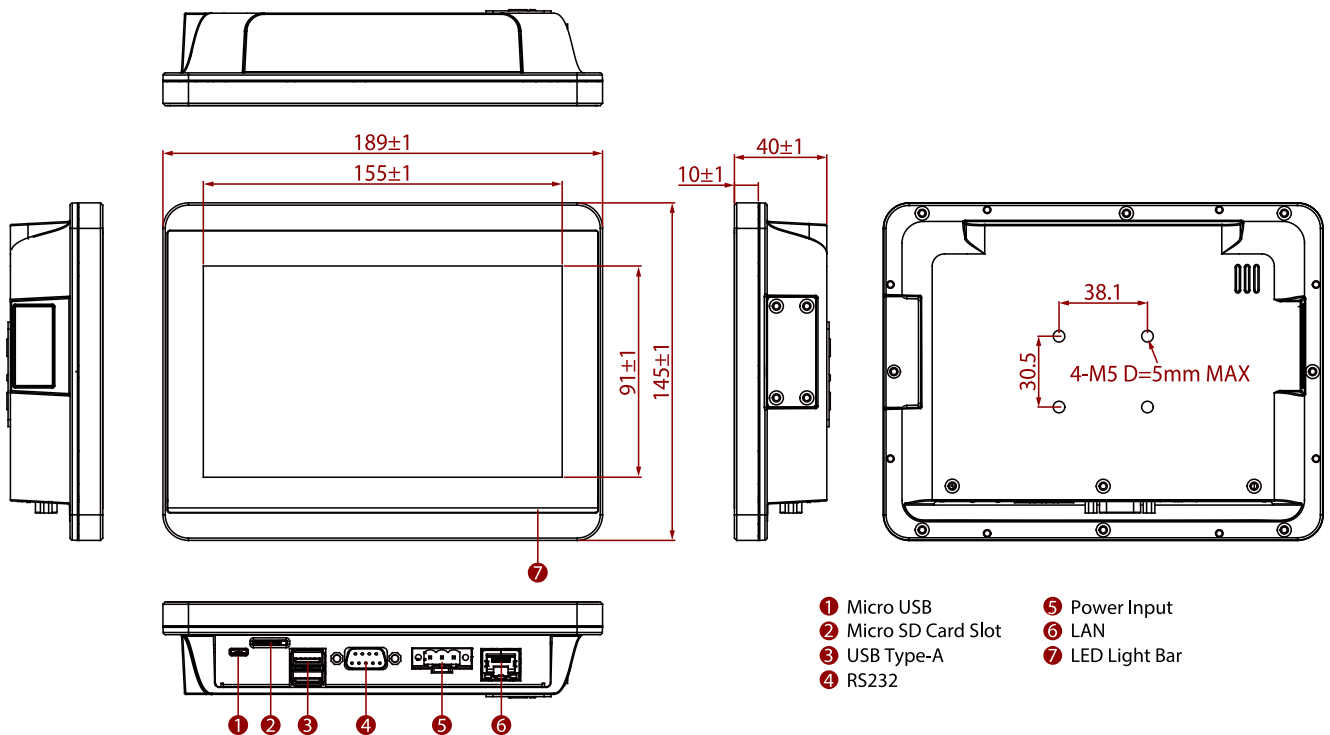


### SPECIFICATIONS

| Display              |   |                       |   |
|----------------------|---|-----------------------|---|
| Resolution           | 1024x600                                    | Size                  | 7 inches  |
| Contrast Ratio       | 700:1                                       | Panel Brightness      | 1000 nits   |
| View Angles          | 75,75,75,70                                 | Active Area           | 153.6x90 mm   |
| Touch / Glass        | Projected Capacitive Multi Touch Screen     |                       |   |
| System Specification |   |                       |   |
| Processor            | ARM A53 Quad Core 2.0GHz                    | Memory                | 4GB LPDDR4  |
| Storage              | 32GB eMMC                                   | Operating System      | Android 11 (Upgradeable to Android 13)<br>Linux Yocto 5.10.104 with QT 5.15 (Optional)<br>Linux Ubuntu (in 2023) (Optional) |
| WLAN                 | Support (Optional)                          | BT                    | Support (Optional)  |
| RFID                 | HF RFID Reader 13.56 MHz (Optional)         | Light Bar             | Built-in RGB LED Status Light Bar   |
| Mechanical           |   |                       |   |
| Dimension            | 189.4 x 145.4 x 40 mm                       | Mounting              | Panel Mount<br>VESA Mount   |
| Enclosure            | Aluminum                                    | Cooling System        | Fanless design  |
| Cut out              | 175.5x131.5mm                               |                       |   |
| Environment          |   |                       |   |
| Operating Humidity   | 10% to 90% (noncondensing)                  | Operating Temperature | 0~50°C  |
| Storage Temperature  | -20~60°C                                    | Shock                 | MIL-STD-810G Method 516.6   |
| Vibration            | MIL-STD-810G Method 514.6                   | IP rating             | Front IP65  |
| Certification        |   |                       |   |
| Certification        | CE, FCC                                     |                       |   |
| IO Ports             |   |                       |   |
| USB Port             | 2 x USB 2.0 Type A<br>1 x Micro USB 2.0 OTG | Serial Port           | 1 x RS232/422/485 (Default RS232)   |
| SD Card Slot         | 1 x Micro SD card slot (Max to 32GB)        | Video                 | 1 x Micro HDMI Output (Optional)  |

|                     |  |                |                          |
|---------------------|--|----------------|--------------------------|
| <b>Audio</b>        | 1 x Speaker  | <b>LAN</b>     | 1 x LAN 10/100/1000 Mbps |
| <b>Accessory</b>    |  |                |                          |
| <b>Accessory</b>    | 100~240V AC to DC Adapter<br>Power Cord<br>Terminal Block to 2.5Ø Female Adapter Cable<br>Open Wire Cable with terminal block connector<br>Manual<br>VESA screws |                |                          |
| <b>Power</b>        |  |                |                          |
| <b>Power Rating</b> | 12V DC with Terminal Block   | <b>Adapter</b> | 12V 50W                  |
| <b>POE</b>          | PoE (PD): follows IEEE 802.3at (25 W)  |                |                          |
| <b>Camera</b>       |  |                |                          |
| <b>Front Camera</b> | 2MP Camera (Optional)  |                |                          |

## DIMENSIONS UNIT:MM



## NOTE

1. This is a simplified drawing and some components are not marked in detail.
2. The product shown in this datasheet is a standard model. For diagrams that contain customized or optional I/O, please contact the Winmate Sales Team for more information.
3. All specifications are subject to change without prior notice.