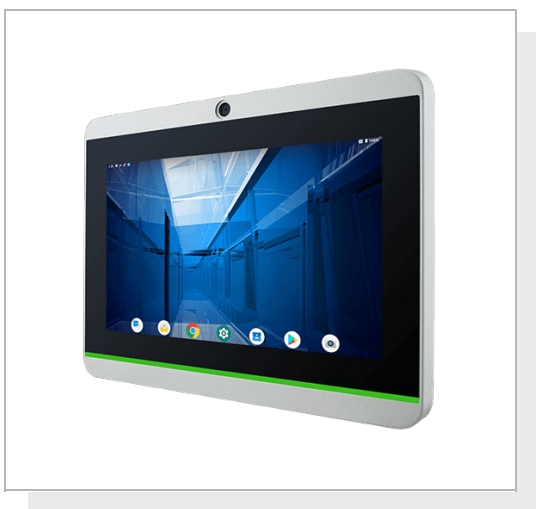


W07IQ3S-PC01AC-POE

7" Qualcomm Snapdragon™ 660 S Series HMI Panel PC



KEY FEATURES

- 7" 1024 x 600 Resolution with Projected Capacitive Multi-Touch (P-CAP)
- Fanless cooling system and ultralow power consumption
- Support PoE function
- Optional 2MP Front Camera
- Optional HF RFID Reader
- Stylish design for room booking, access control, and room information applications
- Front IP65 Water and Dust Proof
- Built-in RGB LED Light Bar Indicator



SPECIFICATIONS

| Display | | | |
|----------------------------|---|------------------------------|--|
| Resolution | 1024x600 | Size | 7 inches |
| Contrast Ratio | 700:1 | Panel Brightness | 1000 |
| View Angles | 75,75,75,70 | Active Area | 153.6x90 mm |
| Touch / Glass | Projected Capacitive Multi Touch Screen | | |
| System Specification | | | |
| WLAN | Support (Optional) | BT | Support (Optional) |
| RFID | HF RFID Reader 13.56 MHz (Optional) | Light Bar | Built-in RGB LED Status Light Bar, on both sides |
| Processor | Qualcomm® Snapdragon™ 660 (Octa-Core 2.2 GHz) | Memory | 3GB LPDDR4 |
| Storage | 32GB eMMC | Operating System | Android 9.0 |
| Mechanical | | | |
| Dimension | 189.4 x 145.4 x 36.1 mm | Mounting | Panel mount VESA Mount |
| Enclosure | Aluminum | Cooling System | Fanless design |
| Cut out | 175.5x131.5mm | | |
| Environment | | | |
| Operating Humidity | 10% to 90% (Non-Condensing) | Operating Temperature | 0~50°C |
| Storage Temperature | -20~60°C | Shock | MIL-STD-810G Method 516.6 |
| Vibration | MIL-STD-810G Method 514.6 | IP rating | Front IP65 |
| Certification | | | |
| Certification | CE, FCC | | |
| IO Ports | | | |
| USB Port | 2 x USB 2.0 (Type A), 1 x USB 3.0 (Type-C) | Serial Port | 1 x RS232/422/485 (Default RS232) |
| SD Card Slot | 1 x Micro SD card slot | Video | 1 x Micro HDMI (Optional) |
| Audio | 1 x Speaker | LAN | 1 x LAN PoE at/af |

Accessory

| | |
|------------------|--|
| Accessory | 100~240V AC to DC Adapter Power Cord Terminal Block to 2.5Ø Female Adapter Cable Open Wire Cable with terminal block connector Manual VESA screws |
|------------------|--|

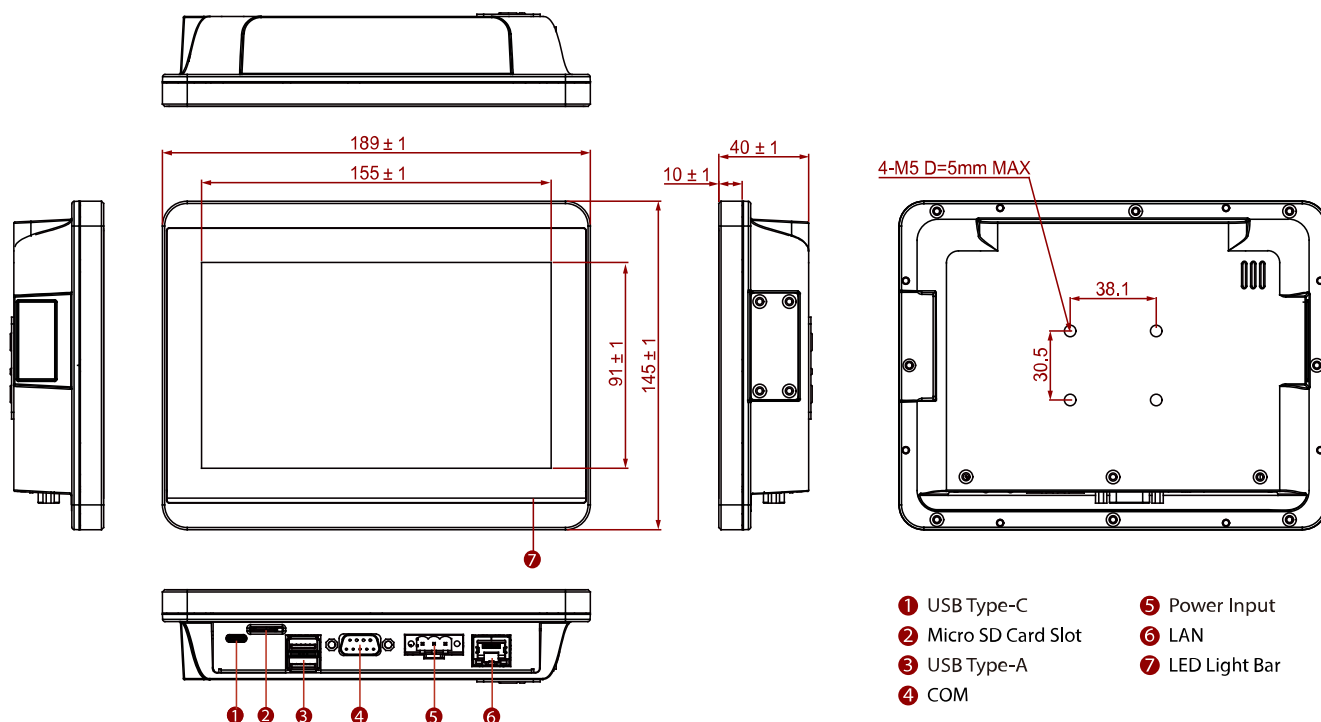
Power

| | | | |
|---------------------|---------------------------------------|----------------|---------|
| Power Rating | 12V DC with Terminal Block | Adapter | 12V 50W |
| POE | PoE (PD): follows IEEE 802.3at (25 W) | | |

Camera

| | |
|---------------------|-----------------------|
| Front Camera | 2MP Camera (Optional) |
|---------------------|-----------------------|

DIMENSIONS UNIT:MM



NOTE

1. This is a simplified drawing and some components are not marked in detail.
2. The product shown in this datasheet is a standard model. For diagrams that contain customized or optional I/O, please contact the Winmate Sales Team for more information.
3. All specifications are subject to change without prior notice.