

# W07L100-PCT1

## 7" Multi-Touch Chassis Display



### KEY FEATURES

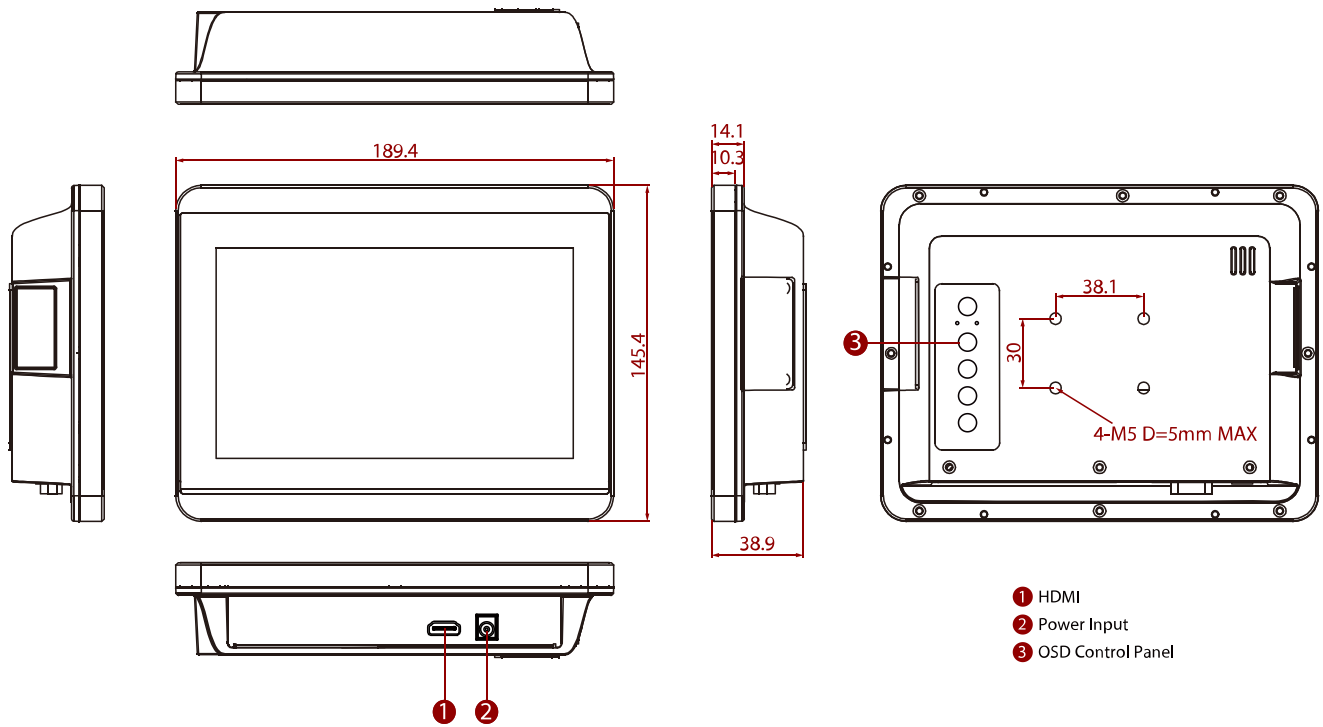
- 7" 1024 x 600 Resolution, Multi-Touch Chassis Display
- Projected Capacitive Multi-Touch (P-Cap)
- Front IP65 Water and Dust Proof
- VGA input and variety of optional connectors
- USB port for touch
- Stylish and elegant design



### SPECIFICATIONS

Display			
Resolution	1024x600	Size	7.0 inches
Contrast Ratio	500:1	Panel Brightness	320 nits
Display Color	16.7M Colors	View Angles	75,75,75,70
Touch / Glass	Projected Capacitive Multi Touch Screen		
Environment			
Operating Humidity	10% to 90% (non-condensing)	Operating Temperature	0~50°C
Storage Temperature	-10~60°C		
Certification			
Certification	CE, FCC		
IO Ports			
USB Port	1 x USB for Touch Screen	Video	1 x VGA 1 x HDMI (Optional) 1 x DVI (Optional)
Audio	1 x Speaker (Optional)		
Mechanical			
Dimension	189.4 x 145.4 x 39.8 mm	Mounting	VESA Mount
Enclosure	Metal	Cooling System	Fanless Design
Accessory			
Accessory	1 x VGA cable 1 x HDMI cable 100~240V AC to DC Adapter Power Cord Manual VESA screws(Varies by product)	Optional Accessory	Remote Controller (Optional,Varies by product)
Power			
Power Rating	12V DC input		
Control			
Button	5 Keys: - , + , Power , Esc , Enter		

## DIMENSIONS UNIT:MM



## NOTE

1. This is a simplified drawing and some components are not marked in detail.
2. When with HDMI outside dimension and I/O will be different from standard.
3. Please contact our sales representative if you need further product information.
4. All specifications are subject to change without prior notice.
5. The product shown in this datasheet is a standard model. For diagrams that contain customized or optional I/O, please contact the Winmate Sales Team for more information.