

W10IB3S-PCH2LB

10.1" Intel® Celeron® N2930 S Series HMI Panel PC



KEY FEATURES

- 10.1" 1280 x 800 Resolution with Projected Capacitive Multi-Touch (PCAP)
- Intel® Celeron® Bay Trail-M N2930, 1.83 GHz
- Fanless cooling system and ultra-low power consumption
- Supports PoE function
- All-around LED status light bar
- Optional HF RFID Reader
- Stylish design for room booking, access control and room information applications



SPECIFICATIONS

Display			
Resolution	1280x800	Size	10.1 inches
Contrast Ratio	800:1	Panel Brightness	350.0 nits
View Angles	85,85,85,85	Active Area	216.96x135.6 mm
Touch / Glass	Projected Capacitive Multi Touch Screen		
System Specification			
Processor	Intel Celeron N2930 1.83GHz (up to 2.16GHz)	Memory	1 x SO-DIMM, DDR3L 1600 MHz, 4GB 8GB (Optional)
Storage	1 x M.2 2242 B-key SSD 128GB. M.2 2242 B-key SSD up to 512GB. (Optional)	Ethernet controller	2 x Intel® Ethernet Controller
Operating System	Windows 10 IoT Enterprise (64 bit) (Optional) Linux Ubuntu 20.04 (Optional)	WLAN	Support (Optional)
BT	Support (Optional)	RFID	HF RFID Reader 13.56 MHz (Optional)
Light Bar	Built-in All-Around RGB LED Light Bar		
Mechanical			
Dimension	264.57 x 173.29 x 35.7 mm	Mounting	Panel mount VESA Mount
Enclosure	Plastic Front Bezel with Metal Back Cover	Cooling System	Fanless design
Cut out	250x159mm		
Environment			
Operating Humidity	10% to 90% RH, Non-Condensing	Operating Temperature	0°C to 50°C
Storage Temperature	-10°C to 60°C	IP rating	Front IP65
Certification			
Certification	CE, FCC		
IO Ports			
Power Input	1 x 12V DC, 3-Pin Terminal Block	USB Port	1 x USB3.2 Gen1x1 (Type-A) 1 x USB2.0 (Type-A)
Serial Port	1 x RS232/422/485 (Default RS232)	Audio	1 x Speaker
Expansion Port	2 x M.2 slot(1 for WiFi, 1 for SSD)	LAN	2 x Giga LAN RJ45 Connector, One with PoE(PD, 802.3at)(Optional)

Accessory

Accessory 100~240V AC to DC Adapter
Power Cord
Terminal Block to 2.5Ø Female Adapter Cable
Open Wire Cable with terminal block connector
VESA screws

Optional Accessory VESA Wall Mount (O)
VESA Desk Stand (Optional)
Glass Wall Mount Kit (Optional)
Front Side Wall Mount (Optional)
VESA bracket mounting kit (Optional)

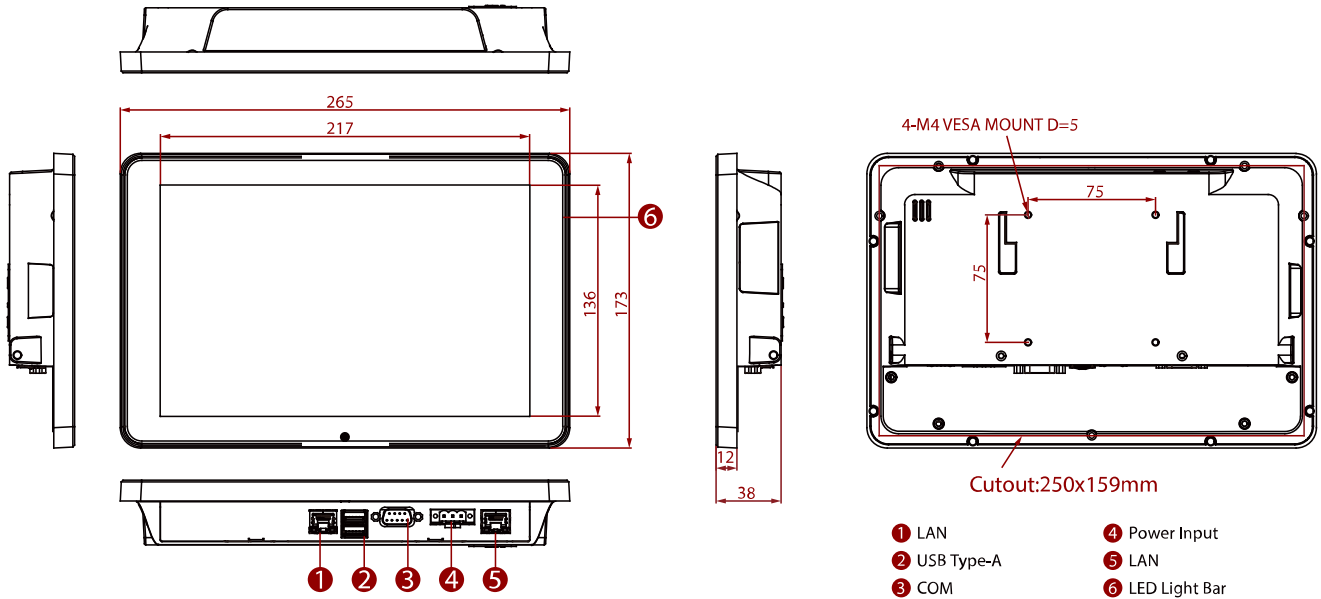
Power

Power Rating 12V DC
10~60V (Optional)

Adapter 12V 50W

POE PoE (PD): follows IEEE 802.3at (25 W)

DIMENSIONS UNIT:MM



NOTE

1. Measured at dimming LCD brightness. Varies depending on the usage conditions, or when an external device is attached.
2. Total usable memory will be less dependent upon actual system configuration.
3. Length measurements do not include protrusions. Weight varies with options.
4. This is a simplified drawing and some components are not marked in detail.
5. Accessories and integrated options may vary depending on your configuration.
6. The product shown in this datasheet is a standard model. For diagrams that contain customized or optional I/O, please contact the Winmate Sales Team for more information.

optional)