

W10L100-GCH2-C

10.1" USB Type-C Chassis Display



KEY FEATURES

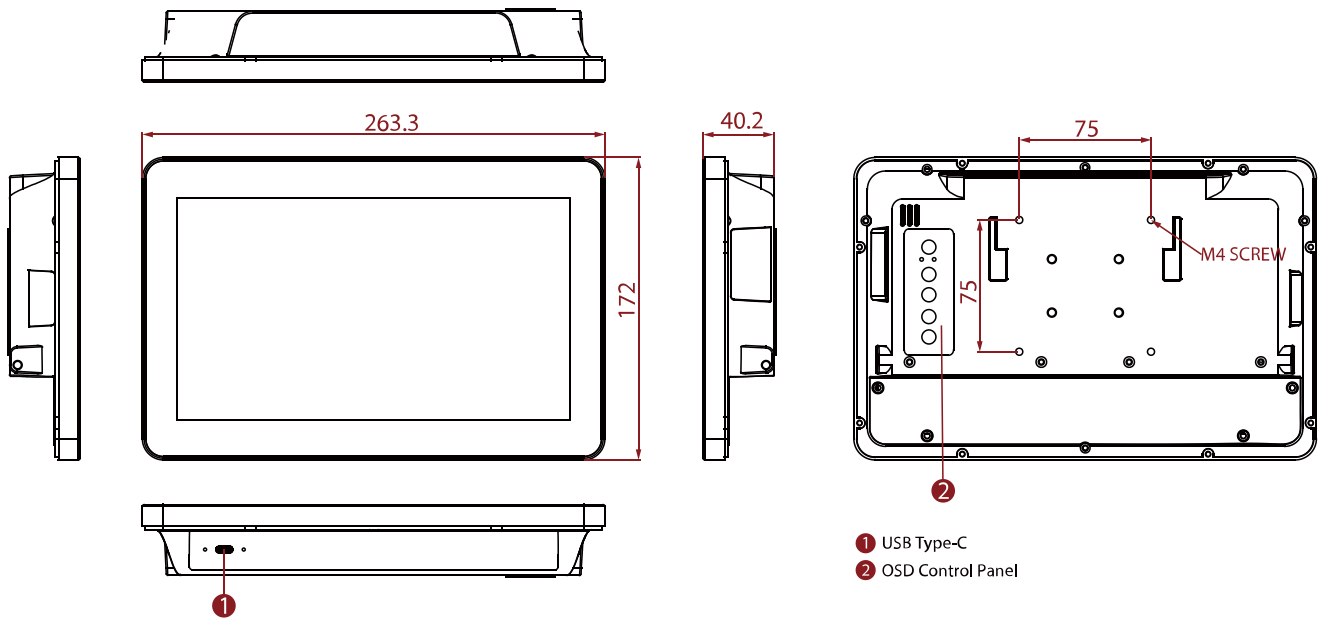
- 10.1", 1280 x 800
- USB Type-C connector
- Chassis
- VESA mount
- PCAP touch
- Front IP65



SPECIFICATIONS

Display	
Resolution	1280x800
Contrast Ratio	800:1
Display Color	16.7M Colors
Active Area	216.96 x135.6 mm
Size	10.1 inches
Panel Brightness	350 nits 1000 nits(Optional)
View Angles	85,85,85,85
Touch / Glass	Projected Capacitive Multi Touch Screen Protection Glass (Optional) Anti-glare Coating (Optional)
Environment	
Operating Humidity	10% to 90% (non-condensing)
Storage Temperature	-10~60°C
Operating Temperature	0~50°C
Certification	
Certification	CE, FCC
IO Ports	
USB Port	1 x USB Type-C Connector
Audio	1 x Speaker (Optional)
Mechanical	
Dimension	263.3 x 172 x 40.2 mm
Enclosure	Plastic Bezel & Aluminum back cover
Mounting	VESA Mount/ Panel Mount
Cooling System	Fanless Design
Accessory	
Accessory	User Manual
Optional Accessory	Lockable USB-C to Standard USB-C Cable (Optional) Waterproof USB-C to Standard USB-C Cable (Optional) Dual-side Lockable USB Type-C Cable (Optional)
Power	
Power Rating	USB Type-C Alt mode (5V/3A)
Control	
Button	5 Keys: -, +, Power, Esc, Enter

DIMENSIONS UNIT:MM



NOTE

1. This is a simplified drawing and some components are not marked in detail.
2. The product shown in this datasheet is a standard model. For diagrams that contain customized or optional I/O, please contact the Winmate Sales Team for more information.
3. All specifications are subject to change without prior notice.