

# W12IM3S-GCB1

## 12.3" ARM A53 G-WIN GC-Series Front IP65 PCAP Panel PC



### KEY FEATURES

- 12.3" 1920 x 720 panel with projected capacitive multitouch screen
- ARM A53 Quad Core 2.0GHz CPU
- Front IP65 for protection against water and dust
- A true flat, easytoclean front surface with edgetoedge design
- Support Android or Linux operating system



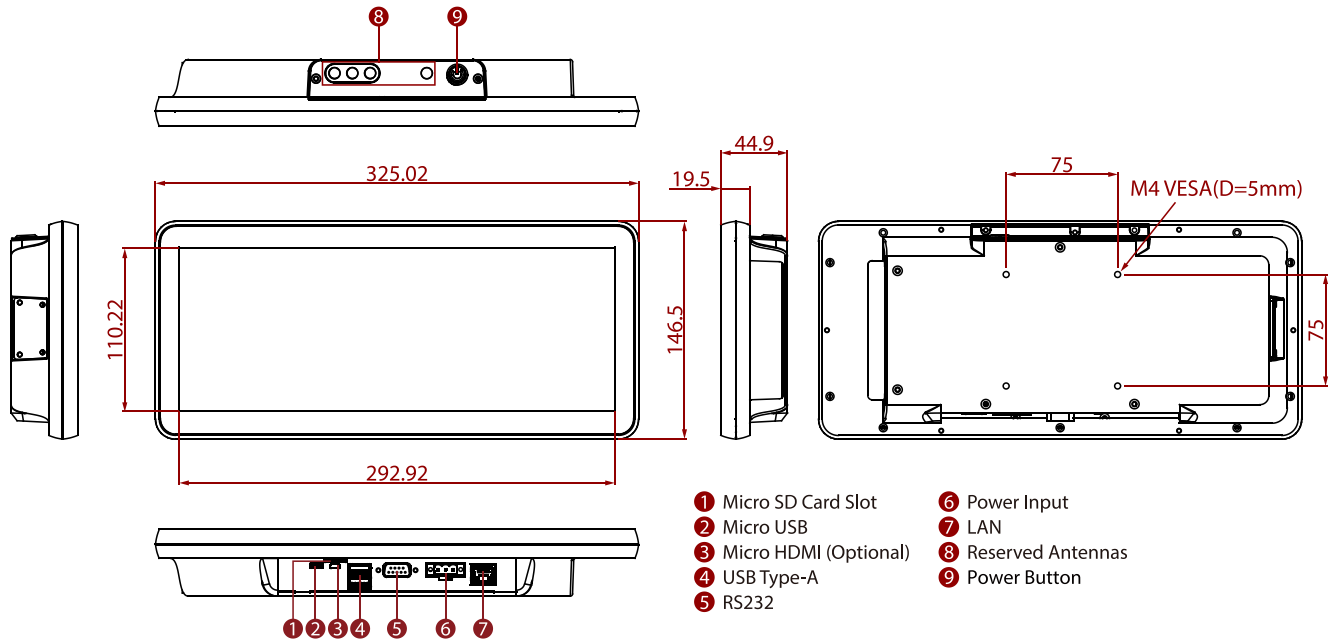
### SPECIFICATIONS

Display			
<b>Touch / Glass</b>	Projected Capacitive Multi Touch Screen	<b>Resolution</b>	1920x720
<b>Size</b>	12.3 inches	<b>Contrast Ratio</b>	1000:1
<b>Panel Brightness</b>	1000.0 nits	<b>View Angles</b>	88,88,88,88
<b>Active Area</b>	292.92x110.22 mm		
System Specification			
<b>Processor</b>	ARM A53 (Quad Core 2.0GHz)	<b>Memory</b>	4GB LPDDR4
<b>Storage</b>	eMMC: Onboard 32 GB	<b>Operating System</b>	Android 11 (Upgradeable to Android 13) Linux Yocto 5.10.104 with QT 5.15 (Optional) Linux Ubuntu (Optional)
<b>WLAN</b>	Support (Optional)	<b>BT</b>	Support (Optional)
Mechanical			
<b>Dimension</b>	325.02 x 146.5 x 45 mm	<b>Mounting</b>	VESA Mount
<b>Cooling System</b>	Fanless Design		
IO Ports			
<b>USB Port</b>	2 x USB 2.0 Type A 1 x Micro USB 2.0 OTG	<b>Serial Port</b>	1 x RS232/422/485 (Default RS232)
<b>SD Card Slot</b>	1 x Micro SD card slot (Max to 32GB)	<b>Video</b>	1 x Micro HDMI Output (Optional)
<b>Audio</b>	2 x Speaker (Optional)	<b>LAN</b>	1 x LAN 10/100/1000 Mbps
Environment			
<b>Operating Humidity</b>	10% to 90% RH, Non-Condensing	<b>Operating Temperature</b>	0°C to 50°C
<b>Storage Temperature</b>	-20°C to 60°C	<b>Shock</b>	MIL-STD-810G Method 516.6 Procedure I
<b>Vibration</b>	MIL-STD-810G Method 514.6 Procedure I	<b>IP rating</b>	Front IP65
Certification			
<b>Certification</b>	CE, FCC		
Control			
<b>Button</b>	1 x Power Button (Optional)		
Power			
<b>Power Rating</b>	12V DC with Terminal Block	<b>Adapter</b>	12V 50W

## Accessory

Accessory	Quick Start Guide(Hardcopy) AC Adapter 12V/50W Power Cord 3 Pin Terminal Block to DC Jack
-----------	--

## DIMENSIONS UNIT:MM



## NOTE

- 1.This is a simplified drawing and some components are not marked in detail.
- 2.Please contact our sales representative if you need further product information.
- 3.All specifications are subject to change without prior notice.
- 4.The product shown in this datasheet is a standard model.For diagrams that contain customized or optional I/ O, please contact the Winmate Sales Team for more information.