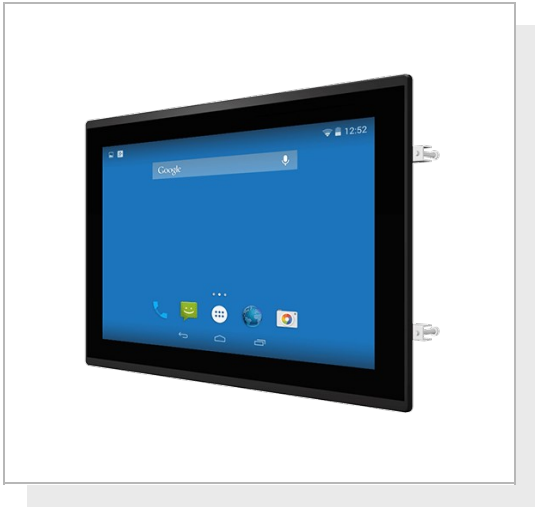


W15FA3S-ELA4

15.6" NXP i.MX6 Android HMI Panel PC



KEY FEATURES

- 15.6" 1920 x 1080 Resolution with Projected Capacitive Multi-Touch (P-CAP)
- NXP i.MX6 Dual Core 1GHz, Android HMI Panel PC
- Fanless cooling system and Ultra-low power consumption
- Front IP65 Water and Dust Proof
- 1 x USB; 1 x RS485; 1 x USB OTG; 1 x RJ45/LAN



SPECIFICATIONS

Display			
Resolution	1920x1080	Size	15.6 inches
Contrast Ratio	800:1	Panel Brightness	300.0 nits
View Angles	85,85,85,85	Active Area	344.16x193.59 mm
Touch / Glass	Projected Capacitive Multi Touch Screen		
System Specification			
Processor	NXP i.MX6 Dual Core, 1.0GHz	Memory	1GB 2GB (Optional)
Storage	eMMC: Onboard 8 GB	Operating System	Linux Ubuntu 20.04 Android 6.0 (Optional)
Mechanical			
Dimension	387.6 x 257.7 x 52.5 mm	Mounting	Panel mount VESA Mount
Enclosure	Metal Housing	Cooling System	Fanless design
Cut out	371.6 x 223.5mm		
Environment			
Operating Humidity	10% to 90% RH, Non-Condensing	Operating Temperature	0°C to 50°C
Storage Temperature	-10°C to 60°C	IP rating	Front IP65
Certification			
Certification	CE, FCC		
IO Ports			
Power Input	1 x 12~24V DC, 3-Pin Terminal Block	USB Port	1 x USB2.0 (Type-A) 1 x USB OTG
Serial Port	1 x RS485, 3pin Terminal block	LAN	1 x LAN RJ45 Connector
Indicator	1 x LED Indicator for storage		
Control			
Button	1 x Reset Button		
Accessory			
Accessory	100~240V AC to DC Adapter		

Power Cord
 Terminal Block to 2.5Ø Female Adapter Cable
 Open Wire Cable with terminal block connector
 Mounting clips
 VESA screws

Power

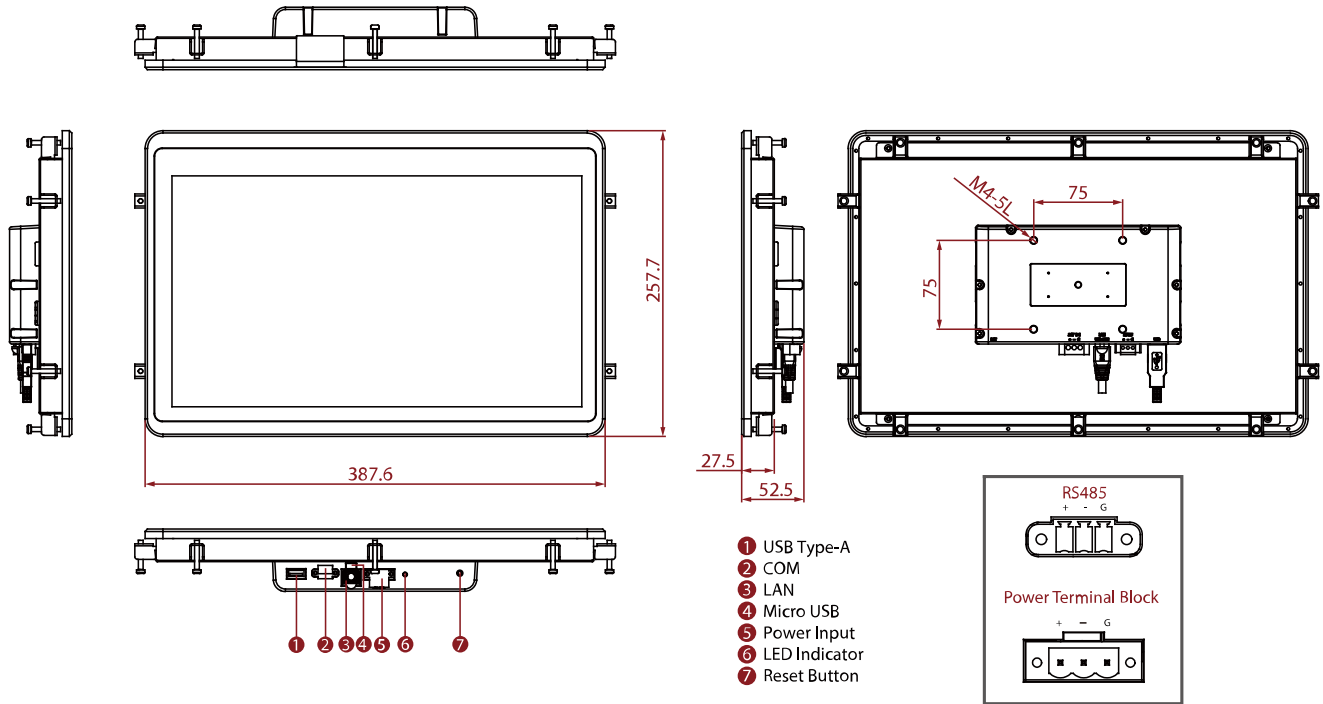
Power Rating 12V~24V with isolation, 3-Pin Terminal Block

Adapter

12V 50W

DIMENSIONS

UNIT:MM



NOTE

1. This is a simplified drawing and some components are not marked in detail.
2. The product shown in this datasheet is a standard model. For diagrams that contain customized or optional I/O, please contact the Winmate Sales Team for more information.
3. All specifications are subject to change without prior notice.