

W15IE3S-PTA3

15.6" Intel® Celeron® N6211 PT Series HMI Touch Panel PC



KEY FEATURES

- Low power consumption with Intel® Celeron® Elkhart Lake N6211 processor
- Fanless cooling system and ultra-low power consumption
- Front IP65 for protection against water and dust
- A true flat, easy-to-clean front surface with edge-to-edge design



SPECIFICATIONS

| Display | | | |
|----------------------------|---|------------------------------|--|
| Touch / Glass | Projected Capacitive Multi Touch Screen | Resolution | 1920x1080 |
| Size | 15.6 inches | Contrast Ratio | 800:1 |
| Panel Brightness | 400.0 nits | View Angles | 85,85,85,85 |
| Active Area | 344.16x193.59 mm | | |
| System Specification | | | |
| Processor | Intel® Celeron® N6211 (up to 2.6GHz) Intel® Celeron® N6210 (up to 3.0GHz) (Optional) | Memory | 1 x SO-DIMM, DDR4 3200 MHz, 4GB 8GB (Optional) 16GB (Optional) |
| Storage | 1 x M.2 2242 B-key SSD 128GB M.2 2242 B-key SSD up to 512GB (Optional) 1 x SATA III for 2.5" SSD/HDD up to 1TB (Optional) | Ethernet controller | 2 x Intel® Ethernet Controller |
| Security | TPM 2.0 | Operating System | Windows 11 IoT Enterprise GAC (64 bit) (Optional) Windows 11 Pro 64 bit (Optional) Windows 10 IoT Enterprise (64 bit) (Optional) Linux Ubuntu 22.04 (Optional) |
| Environment | | | |
| Operating Humidity | 10% to 90% RH, Non-Condensing | Operating Temperature | 0°C to 50°C |
| Storage Temperature | -10°C to 60°C | IP rating | Front IP65 |
| Certification | | | |
| Certification | CE, FCC | | |
| Mechanical | | | |
| Dimension | 388 x 233 x 40 mm | Mounting | VESA Mount |
| Enclosure | Plastic | Cooling System | Fanless Design |
| IO Ports | | | |
| USB Port | 2 x USB3.2 Gen1x1 (Type-A) | Serial Port | 1 x RS232(Default)/422/485 |
| Video | 1 x HDMI 2.0 (Optional) | Audio | 2 x Speaker (Optional) |
| LAN | 2 x RJ45-10/100/1000 Mbps | Indicator | Power LED Indicator |
| Power | | | |

Power Rating 12V DC in

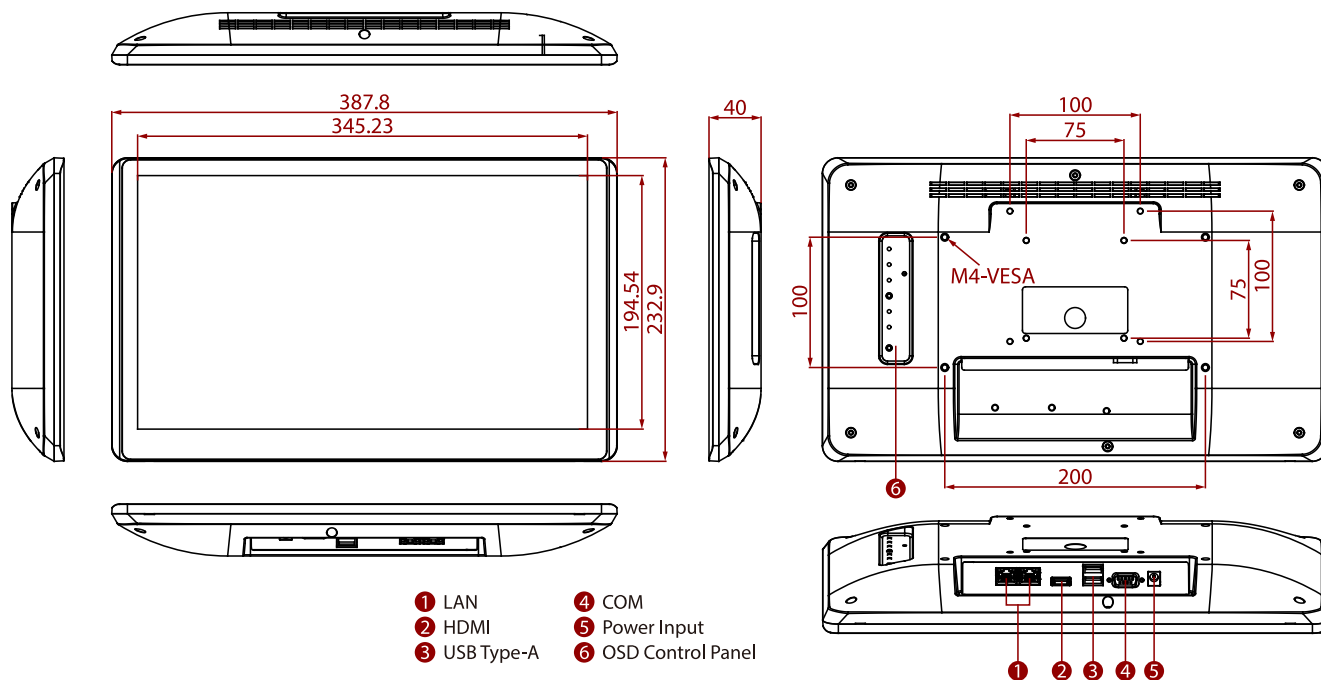
Control

Button 1 x Power Button
1 x Reset Button

Accessory

Accessory Quick Start Guide(Hardcopy)
AC Adapter 12V/50W
Power Cord

DIMENSIONS UNIT:MM



NOTE

- 1.This is a simplified drawing and some components are not marked in detail.
- 2.Please contact our sales representative if you need further product information.
- 3.All specifications are subject to change without prior notice.
- 4.The product shown in this datasheet is a standard model.For diagrams that contain customized or optional I/ O, please contact the Winmate Sales Team for more information.