

W15IK7T-OFA2

15.6" Intel® Core™ i3/i5/i7 (Kaby Lake) Open Frame Panel PC



KEY FEATURES

- 15.6" 1366 x 768 Resolution
- Intel® 7th Generation Core™ i3/i5/i7 processor (Kaby Lake)
- Flexible storage devices, one 2.5-inch HDD and one SSD
- Multiple I/Os, Two Serial Ports and Four USB 3.0 Ports
- 12V DC Power input
- DP Support 4096x2304@60Hz
- HDMI (Optional) Support 4096x2304@24Hz

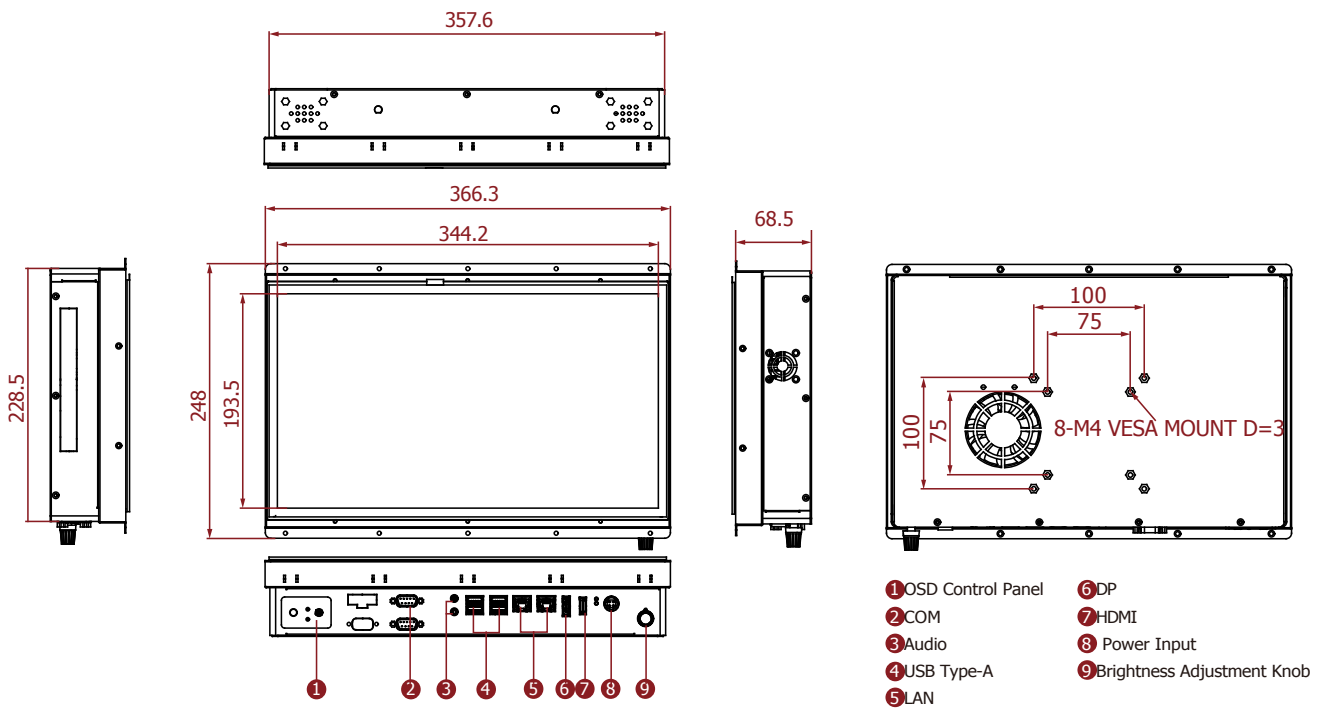


SPECIFICATIONS

Display	
Resolution	1366x768
Contrast Ratio	500:1
View Angles	85, 85, 80, 80
Touch / Glass	Resistive Touch Screen (Optional) Protection Glass Without Touch Function (Optional)
Size	15.6 inches
Panel Brightness	400.0 nits
Active Area	344.232x195.536 mm
System Specification	
Processor	Intel Core i7-7700T 2.9 GHz (up to 3.8GHz) Intel Core i5-7500T 2.7GHz (up to 3.3GHz) (Optional) Intel Core i3-7100T 3.4GHz (Optional)
Chipset	Intel® C236
Memory	1 x SO-DIMM, DDR4 2166 MHz, 4GB 8GB (Optional) 16GB (Optional) 32GB (Optional) 2 x SO-DIMM, DDR4 2166 MHz, 4GB (Optional) 8GB (Optional) 16GB (Optional) 32GB (Optional) 64GB (Optional)
Storage	1 x M.2 2242 B-key SSD 128GB. M.2 2242 B-key SSD Up to 512GB. (Optional) 1 x 2.5" SSD / HDD (Optional) 2 x SATA III support RAID 0, 1 (Optional)
Ethernet controller	2 x Intel® Ethernet Controller
Security	TPM 2.0
Operating System	Windows 10 IoT Enterprise (64 bit) (Optional) Linux Ubuntu 20.04 (Optional)
WLAN	Support (Optional)
BT	Support (Optional)
Mechanical	
Dimension	366.3 x 248 x 77.5 mm
Mounting	Open Frame Panel Mount VESA Mount
Enclosure	Metal Housing
Cooling System	Fan design
Environment	
Operating Humidity	10% to 90% RH, Non-Condensing
Operating Temperature	0°C to 50°C
Storage Temperature	-10°C to 60°C
Certification	

Certification	CE, FCC		
IO Ports			
Power Input	1 x 12V DC, Din4 pin connector	USB Port	4 x USB3.2 Gen1x1 (Type-A)
Serial Port	1 x RS232/422/485 (Default RS232) 1 x RS232	Video	1 x DP1.2 1 x HDMI 1.4 (Optional)
Audio	1 x Mic in 1 x Line out 2 x Speaker	Expansion Port	2 x M.2 slot(1 for WiFi, 1 for SSD) 1 x PCIe x16 (Optional)
LAN	2 x Giga LAN RJ45 Connector	Indicator	1 x LED Indicator for power 1 x LED Indicator for storage
Brightness Knob	1 x Brightness Adjustment Knob		
Control			
Button	1 x Power Button 1 x Reset Button		
Accessory			
Accessory	100~240V AC to DC Adapter Power Cord VESA screws		
Power			
Power Rating	12V DC (Lockable Power Jack)	Adapter	12V 120W

DIMENSIONS UNIT:MM



NOTE

1. This is a simplified drawing and some components are not marked in detail.
2. Please contact our sales representative if you need further product information.
3. All specifications are subject to change without prior notice.
4. The product shown in this datasheet is a standard model. For diagrams that contain customized or optional I/O, please contact the Winmate Sales Team for more information.